

!

7,(6 76 ((/ \$81 28(4
3(4\$6215 \$1' 55(0 %
1564786215

2' \$ 24\$ (>1,\$\$' (24\$,/(1&,252
156478&,21(5 3\$4\$ (/ (15\$0 %\$-(
:/ \$23(4&\$,C1

21'(75(\$17(// (? 273(,/(1&(75(
1564786215' \$55(0 %\$*(
(6' 76/,5\$621

\$ 2?F2=4@6C7@4?8 > @6=D> 2?F24FE65

D6 > 2?F2=4F3G =D> @6=D8F6?6D

6 > 2?F6=6LEA@6C6D> @Y6DIF:Q?E8

% /

D6> 3J
@1 E&G6C 2(E
\$ @6C 2(E
\$ @6C F:56
, D286 2G
. 2C?E8

%

?D> 3=2:6
] > @@6?60GAF6DE@
' :6K2D56=4@24V65
F2 56 :56?E7424?]
, D@J 4F525@
2C?E2

% /

D6> 3V6
@ > 6?E4@ > 2?56C6DAY46D
V2=-56DAY46D
F:56 5 :56?E742E@
, E:2E@ 6E ?E6E?
2C?E6

#

O) 625 2= ?D6F4E@D: ? B:D> 2?F2=367@
FD78 > @6C
O ?D64EJ@C=H? 7@2?J 563CD@7@6:8?
@;64E275 G> @6 B6> 367@ > @1:78
O%66CA=246 J@C92?5D 7:86CD@766E?D56
B6 G6= #D@89 ?@A@6G5 3J > @C
H96? B6 H966=DE? B6 G6=4FD
O%66C> @1 H96? B6 82DD:DH6E6?@89 E@
36 D=AA6C
O @1E =246 J@C92?5D@766E?62C2 > @378
A2E@B6 > @6C
O @ E@6C2B B6 > @6C@9=6 32G7@E@
H62C?8 D?52=8
O. 2< D@H ?6G@C? #2JD36 DF@ @J@C
7@E?8 H96? @6C2E?8 B6 > @6C
O%66C?B?E@2=J DE=6 @Q> @66D 7?46D
6E +9:D4? 42FD6 ?;F66D@D6G6=J 52>
286 B6 > @6C
O) 6> 36C92E8D> @6CD2 A64D@
A646 @=2H? 42G 6BF:A> 6?E+G2EE2DF49
3J 6164:D78 42FE@ H96? FD78 :E
O\$ 2=6 DF@ J@C> @6CD: ? D26 @6C2E?8
4@5:E@ @ E2B> AEE@6C2B B6 > @6C
.7:ED52> 2865 92G :E6A2:G5 7CE

'% ,) % , *+ - %%) ,) %\$
+9:DA@6F4E4@E: ?D496> :42D< ?@1? E@B6
* E2B @ 2=7@?2 E@42FD6 42?46C3: B6 5674E8
@@66C6A@6F4E6 92G

O#62 E@2D=2D: ?D6F44: @6D2?B6D56 FD2C@F
' @25@ \$ 64T?:42
O ?D644: @6 DF 4V665 J 2D68 G6B BF6 ?@
92J2 56D649@DF @C@ @6E@2?B6D56
4@ 6?K2C2 A@2C
O%F?42 4@6F6 =2D> ??@ 565@ @A6D6? 6=
42@6B 56 =2 A@25@ J2 BF6 2F?BF6 6DE
?@6DE @6C252 A@> @C@4F2?5@2D
G652D D6 > F6G? 6=42@6B D6 > F6G J =2D
4F49=24@E?
O%@4@6 6=AV665 D 6DE > @25@@
G6D2=25:K@
O\$ 2?B?82 =2D> ??@J =@A6D2=6:25@56
=2DA2@6D>] G6D56 =2 A@25@
O%@@6G =2 A@25@ D 6DE 56D42K@@
FD?5@D?52=2D
O =@6C2 A@25@ B?82 DFD6A6D7G 6D
6? E@> @ 6?E@?@4@2 42> :?6
O%F?42 E2B 56 A2D2C2 =2 F6@2 D@G
C> 2D TG@6D 6E DE@AF656 42FD2C96C
52DA6@D@2=6D @52 @D6G@D2 =2 A@25@
@
O) 64F6G6 BF6 DF A@25@ 6DF? 2A2QE@56
A64D?] A2C 6=4F:525@56 DF 4V665
+C1B=24@ @2=J D6=24@ A642F4?]
O D68 G6B 56 BF6 DF A@25@ D6 6?4F6?E2
6? 4@5:4: @6D2564F252DA2C2 6=FD@
D68F@%@E2B 56 @6C2 D 6DE 52 252
GATG2 @ T?56=2 2 G6A2CAG> 6@

O#D6KE@6D=6D: ?D6F4E@D52?D46 > 2?F6=
2C?E5 FE=D6CG@E E@56FD6
O ?D64E6K =2 DF@246 56 =2 A6@D6 6E6E6K
E@D=6D4@ADV2?86D2C?E56 =2 E@56G
O%6 :2> 2D> 6E@6 =2D> ??D @ =6DA65DADY@
56D=2 6D56 =2 E@56FD6 6 ? 6DEA2DF?6
E@56FD6 V64E6F6 > 2D=6@6F6 =6D= 6D
E@C6?E6=6DA6F6?E4@A6C
O%6 :2> 2D4@A6C2 A6@D6 =6BF 6=6 6DE
9F> :56 2F A@E5 X@8 8=DD?B6
O%6 :2> 2D2A@296C6D> ??D @ =6DA65D
ACD56DA'Y46D> @:6 56 =2 E@56FD6
O%6 A2DFE=D6C2 E@56FD6 A65D?FD@ 6?
A@2?E56DD?52=6D
O\$ 2@96K5@6> 6?E 76 4@G6KA2D * @6K
E@;@D@FC5 X@8 3:6? 52A@ 3 =6BF6 @D
FE=D6K G@E E@56FD6
O%6 :2> 2D4@76C2 E@56FD6 4@E@ F?
2C@ F?6 32CYG 6E 6=2 A@C2E42FD6C
F? 244:56?E@ 56D5@ > 286DDV6FI U@E@
E@56FD6
O, ?6 E@56FD6 U82K@ 6DEF?6 > 249:76 56
A@M:D@ A@C@E@56 =2 A6@D6 6E5@E@X@
6? E@E@> AD4@D5V@V@ 56 =2 D@E
O DDF6K@D2C?E4@2BF6 FE=D2E@ BF6
=VBF:A6> 6?E6DE6? 3@?6 4@5:E@ 56
> 2@96 %@ A2DFE=D6CF?6 E@56FD6 EF:
? 6DEA2D6? 3@ V2E Z:6D=2 V@2@C
523@E

, *+ - %%) !" ' % ,) %
D6 A@6F4E@4@E?6 DFE?4:2D6FZ :42D2=
6DE25@56 2=7@?2 4@ @42FD?B6D56
4T?46C5674E@56 ?24> :6?E@F @E@
A@6> 2D@G@6F4E@G

, *+ - %%) !" ' % ,) %
6 A@6F4E@4@E?6E56D286?E49> :BF6D
4@?FD52?D@E2E56 =2 2=7@?6 A@C42FD6C
=42?46C6E56D> 2=7@?2E@D4@8V?E6D@
2FE6D2AA2G=-GAC@F4E6C



/74EF7D +F O +:7>4KH;>>7 '& O III 73DF:I;E7FAA>E 5A?

!

)!"
 74-065 :? 4200 206 196 > @16C9275-6 A20E
 EA 9275-6 A646 467EBC9275-6 A646D275
 -@16C9275-6 A646 275 9205H2G A24-286
 704@167ED 066 324-400C
 O ?D6E196 467EBC9275-6 A646D:7E196 -67E
 275 089ED56 @196 EA 9275-6 A646 275
 D64FG 3J FD78 196 EH@ \$ / 3@D275
 H:78 ?FEDAC03565
 O 2D16? 196 FA6C9275-6 DF32D06> 3J 192E
 J@ 2D06> 3-65 :? 196 A6465:78 D6A E@196
 -@16C9275-6 DF32D06> 3J FD78 196 7@C
 6> 2?:78 \$ / 3@D275 H:78 ?FED
 AC03565
 6 DFC E@196? 2-H:78 ?FED @ 196 :@1ED @
 196 9275-6 2D06> 3J D@192E?@6 @196 9275-6
 A646D2G -@06
 668+,* 6- +\$1' / (62 6- 0 28 (4
 O 76C2D06> 3-78 196 9275-6 7E196 9@6D2E
 196 675 @196 -@16CA0E@ @196 9275-6 @
 196 -67E275 089ED56 @06196 D@0EA0ED
 61 1675:78 @E700 196 D56 A216D
 O. 96? 196 9275-6 :D: A246 @06196 A@ED
 D2A 196 MPC78D @E@196 D@165 A@ED @
 3@D 196 D56DE@AG06?E196 9275-6 700 4@ :78
 @
 O' @E@ 9275-6 4@06C@06C2D06> 3-65 9275-6
 275 AFD@ E@D64FG :?E@A246

*) . & ! " ' () %
 #2 42:2 56 4200 ? 4@1676 #2DA6K2DA2Q -2
 > 2?:2 A6K2 A2Q -2 > 2?:2 DFA6C00
 A6K2DA2Q -2 > 2?:2 467E= A6K2 A2Q -2
 > 2?:2 :?76C@J F? A2BF616 56 700E16Q2 A2Q
 6-4@167:5@G62 6-5@D056-3GE@
 O ?D616 -2D5@DA6K2D56 -2 > 2?:2 467E2=6?
 -2DA20BD56G492 6 :KF:6G2 56 -2 > 2?:2
 DFA6C@J 2D68 -6 2 4@ -@ A6C@D56
 \$ / 56 -200@J -2DIE6Q2D56 > 2CA@2
 :?4F52D
 O ;6 -2 A206 DFA6C@J 2 67D> 3-252 > 2?:2D
 DFA6C@J 467E2=67D> 3-252DA0G2> 67E
 4@ -2 A206 :?76C@J 2 67D> 3-252 > 2?:2D
 :?76C@D56G492 6 :KF:6G2 67D> 3-252D
 AG2> 67E FD275@-@ A6C@D0E27E6D
 56 \$ / 56 -200@J -2DIE6Q2D56 > 2CA@2
 :?4F52D
 D68 606 56 2AG2C3:6? E@2D-2DIE6Q2D56
 > 2CA@2 6? -2D:F7ED56 -2 > 2?:2 A2Q BF6
 ?78F?2 56 -2DA6K2D56 6D2 BF656? 7@2D
 156/\$8,C1' (/ \$ 0 \$1,-\$ (1 / \$
 32' \$ 24\$
 O 6DAFVD56 67D> 3-2C2 > 2?:2 DE6 -2D
 A6C@24: @6DF3:4252D6? -@61 16> @D56 -2
 A206 :?76C@56 -2 > 2?:2 A2Q BF6 4246? 6?
 -@A@16D4@00BF6 D6 61 16756? 56 -2DA2
 42D-21626D
 O, ?2 6KBF6 D6 92J2 4@025@2 > 2?:2
 D00G -@A@16D 9282 4242C-@2006? MP
 D00G -@A@16D4@ 2?F02DF6 D6 674F6?
 E2? 6? 2> 3@-25@ 2 7? 56 AG06?:0BF6 D6
 56D216 -2 > 2?:2
 O @0BF6 -2 > 2?:2 4F3:602 > 2?:2 @E252 J
 6> AF:6 A2Q 2D68F0206? DF -#82C

*%)/"
 =?E06FC56 -6> 32-286 00DIE@06GK-6D
 A\46D56 -2 A08?V0 A08?V0 DFAV06FG
 D64E@D56 A08?V0 5F 467E6 6E D64E@ 56
 A08?V0 :?706FG 2?:D BF? ?V46D2:G 56
 BF?:42-6G6 -6 4@167F 56 46 ?V46D2:G 6D2
 :?5:BFV2F 32D56 -2 56C?Y0 A286
 O ?D06C6D56F D64E@D56 A08?V0 5F 46?
 16 52?D-6 4?V500E6E82F496 56 -2 A08?V0
 DFAV06FG FE=D?E6D 3@-@D56 \$ /
 6EVC@DA@06D
 O E2496C2 A00E@ 56 -2 A08?V0 BF6 00D
 0676K5 2D06> 3-6C2F D64E@D5606 6E
 82F496 56 -2 A08?V0 FE=D?E6D 3@-@D
 56 \$ / 6EVC@DF: 06D?E
 * @6KD C56 00D060E@D-6DVC@D56 -2
 A08?V0 2G?E56 4@E?F6C-2D06> 3-286
 ,9\$621' (/ \$ 32,* 1@ 574/\$ 621' (75(
 O* FA6CA06K-6D 0746D06 E00C?E2F
 61 1675: 16V56 -2 E@56FD6 5F 4?V82F496 6E
 500E0FC6D> @E?E56 71 2E@ -2E02-6 56 -2
 E@56FD6
 O# @0BF6 -2 A08?V0 6D6? A246 FE=D6K-6D
 2??62F 56 06B?F6 MP70C?DA@C?1 6C2
 A08?V0 56 492BF6 4?VDF06D> @E?E66E
 -6> AV496C5 6? 00D@FC
 O' @E@ A08? DFC@06?V0 D06> 3V0 6E-6
 A@D06CU71 606? A246

* @ 6 5FDE275 563CD4G2165 3J 196 FD6 @19:D
 E@4@5 4@E? 496> :42D-?@? E@196 * 1216 @ 2-7@7-2 E@
 42FD6 42746C275 3:09 56764E @0606A00F4E06 92C-
 * @ 6 61 2> A6D @196D6 496> :42D-2G
 O496> :42D-? 70E#60D
 O4@ A@75D?: ?D64E:56D 96G:4:56D275 A6DE4:56D
 Q206?7:4 275 4900 :F> 700 496> :42D 162165 F> 36C
 O@00D: 700 61 A@0FG E@196D6 496> :42D0206D 56A675:78
 @ 9@1 @16? J@ 5@09:D1A6 @H@: +@065F46 J@061 A@
 DFG H@: :? 2 H@-@?E2165 2062 275 H19 2AA0065 D276E
 6BF-A: 67E DF49 2D5FDE- 2D-D192E2G D@64:2- 56D8?65 E@
 746C@E- :A@D@4A 20E46D

' 206 56-A@00J -@D56D49@0867625@A@C
 6-FD@56 6D2 96C2> 67E 4@1676? BFZ :4@D64@ @5@DA@C
 6= D25@56 2-7@7-2 4@ @42FD27E6D56 4T?46C56764E@56
 ?24> :67E@F @D6764E@? @C@A2Q 6-2A2Q@E@GAC@BF4E@C
 -8F?@6:6> A-@D56 6DIE@AC@BF4E@BFZ :4@D@D@
 0BFZ :4@AGD6?16D6? 70E#2?16D
 O4@ AF60E@AG06?16D6? :D64E4:52D 96G:4:52D J A6DE4:52D
 Q20V7:4@J 400 @56 > 256QDIE2162D52DFZ :42 67E
 -G6D@BF6 FD65 4@06 2-61 A@606 2 6DIE@BFZ :4@D@C2
 D68 ? 2 764F6742 4@ -2 BF6 0242 6D16 EA@56 E232: @ 2Q
 065F4:02 61 A@4] ? E2326 6? F?2 K@2 36? 06?E252 J FE-
 :46 BF-A@56 A@0644] ? 2A@025@4@ @ 2D2C2-2D2?FA@03@
 6D@64:2> 67E 5:06 252D A2Q 74E2C202F-2D> :A@D@ A42D

#E2E56 2-7@7-6 4@D5Y06 BF6 56D
 A@DDYGD6E5V@D40VDA2CIFE-D2E@ 56 46E@E-D@EDFD
 46AE36D56 4@167:CF? @ AFD6FD56DA00F:ID49> :BF6D
 BF: D@E42?4V08?76D6EU4@08:76 56 > 2700 2E@D4@8V7:
 E26D @ 52F06DIE@3:6D56 -2A2G=-GAC@BF4E@FC 2G : 46D
 A00F:ID49> :BF6D 4E@D
 O6DA00F:ID49> :BF6D4@167FD52?D-6D6?8Q2:D
 O6D4@ A@D@4@167FD52?D-6D:7D64E4:56D -6D96G:4:56D
 6E6DA6DE4:56D
 O4206?7:4 6E6 4900 6 5F 3@DIE2:V49> :BF6> 67E
 - @06 00BF6 561 A@0E@ U46DA00F:ID49> :BF6D0206 6?
 7@4E@ 5F ? @ 306 56 7@D0BF6 00D6764E@K46 E1A6 56 E2
 Q2= 7? 56 00BF:G 461 A@0E@ U46DA00F:ID49> :BF6D E2
 Q2-6K52?DF? 6750E3:6? 2V006EA@06KF? VBF:A6> 67E
 56 D\4FC@V0 @ @0FW4@ > 6 F? > 2D0F6 27EA@DDYGD
 426> 67E4@VF A@C7:66C6DA2E4F6D> :A@D@ @BF6D

!

* A64:7I B6 7@4:78 :?7@ 2E@ H96? @56C?8 A2ED

@ A6I6 > @6=?F> 36C 7@?5 @ B6 :56?E742E@ 5642=@ B6 G2C@B6 4FIEC 32C

@@@B6 A2EDJ@ 2G @56C?8

FE?8 H:5B @J@CF?E

7J@ 2G F?46C2? @B6 ?F> 36C@B6 A2IE@ 36 GA2465 J@ 42? > 2-6 DFG E@G46:G B6 6I 24EA2ED J@ ?665 3J > 2-?8 B6 3C@6? A2ED AGA2:5 E@B6 24E@ 2-@8 H:9 J@C @56C 6 DFG B2EH96? J@ 2G D6?5:78 A2ED E@6?4@B J@C?2> 6 255GDD275 B66A9@6 ?F> 36C? B6 A24-286

##')+*) * &# +&) 0) + \$ %\$, \$) &) %0 &)) * , * / #, % * ' ' % ##* ' ' %) *) +) *' &% #+0 & + ',) *)

* 6?5 J@C@56C@E@

G2E* B:BD @A

196GH9F -H

* 963JG-6 %

@

' 9@6 @56DE@ @DF> 6C @E?6

DA64:7BF6 2 D8F:6?B :?7@ 24] ? 2=@56?2C GAF6DE@

=?_> 6C@56 > @6-@4@ A6E@ D6 6?4F6? E2 6? 2 42-4@ 2?2 56 :56?E7424] ? DIE2 52 6? 2 A2@B 56 2EDT56 2 32C@ 56 4@B

=4@@56 2 A2@B BF6 D6 D@4:2

=2?49@6-4@B 5F DF F?:525

* : ?@6DH D68F@56=? > 6C@56 GEF6DE@BF6 ?646DIE AF656 2D68F2C@6 56 G4:3:06 =@ GAF6DE@D 4@B4E@D 6?G2?5@2 D A6K2 D @B D 2 2 7I3C42 4@ 6-A@B A2825@F?E@ 4@ DF A65:5@* : 6?G2 A6K2D 2D68 G@6 56 :?4F:06? 6-A2BF6B DF ?@ 3G 5:G44:] ? J ?_> 6C@56 B-VT@@

+& * &# *) ' , * + * * &% % &*) + \$ % + ' &) #) % + # ' & \$ % \$ & * , * / #, 0 % & # % & + & * # & * & * + & * % & * & %) *' &% # # &\$') &)

?G DF A65:5@2

G2E* B:BD @A

196GH9F -H

* 963JG-6 %

@

A2C2 A65:5@A@B-VT@ @=> 6 2=?_> 6C@56 D6G4:@2 4-6?B6D

@?6K-6D:7?@ 2E@DDF:G?B:D-@BF6 G@D 4@ > 2?56CF?6 AY46

#6 ?F> V@25F > @Y46 56 2 E@56FD6 A6FE X@B E@B@VDFC-VBF6B6 BF: 6DEA24V@ U =2C@G 56 2 32C@ 7I 6 56 DFAA@E

#2 4@B6FC56 2 AY46 BF6 G@D4@ > 2? 56K

#2 2@6FC56 G@B E@56FD6

* : G@D? X@BDA2DD C5F ?F> V@256 2 AY46 BF6 G@D56GK4@ > 2?56C G@DA@GK 2DF6C56 G46G@C-2 AY46 6I 24B 6? 6?G@2?E 2 AY46 6?5@ > 28V@ 7C?4 56 A@E2G4 G@B 4@ > 2?56 * @6KD C-@BF6 G@D6?G@6K 56DAY46D56 5@?6C@B ?@ 25GDD 6E ?F> V@256 B-VT@@6

+&, + * # * ' * * &% + - % , * %&+) \$ % +,) # &, + \$ %\$, \$ ' &,) # / ' + &% * + , * ' ') % & + &, * # *) * +) %' &) + * &% + ' 0 # * ') # + ,)

?G@6K@B 4@ > 2?56 2

G2E* B:BD @A

196GH9F -H

* 963JG-6 %

@

4@ > 2?56KA2C@B-VT@@6

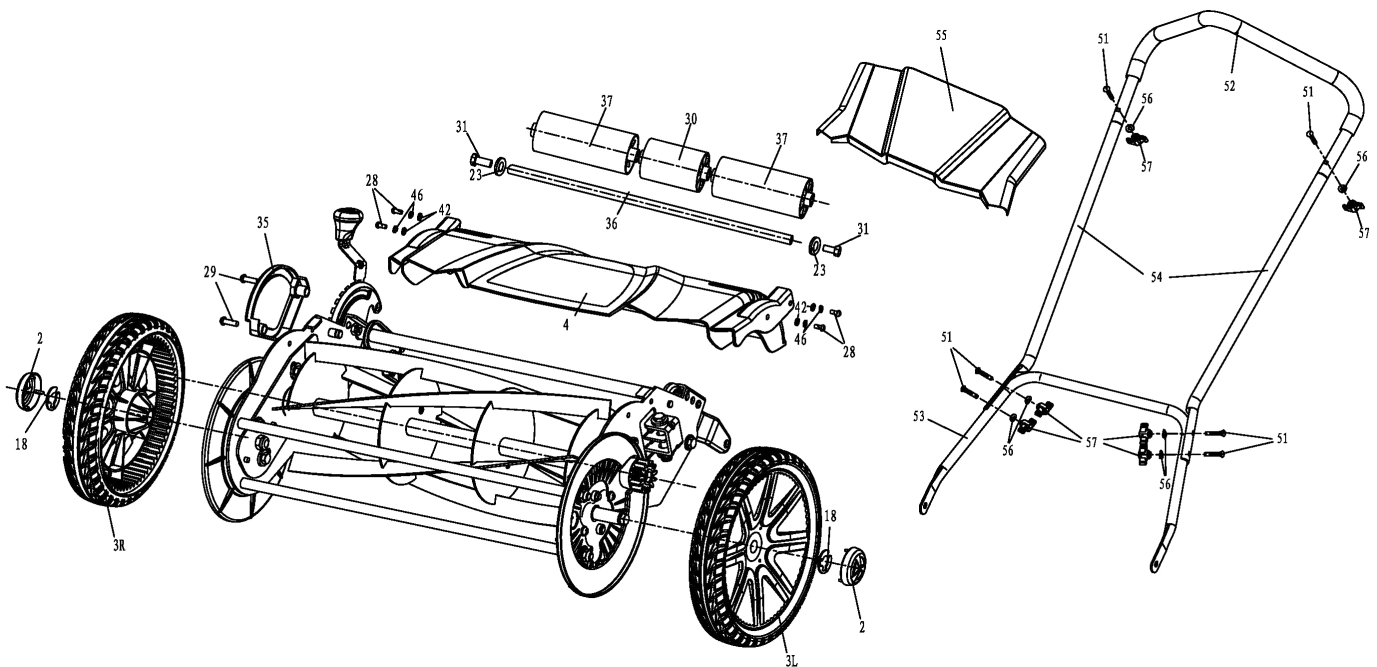
!

#

\$46 25 7, (25 ' (4 37 (525 : * 7B ' (, (16), & \$ & C1 2 ' (53, A & (5 (6* 7, ' (, ; (16), & \$ 621

		2'
(: 2 Clave 70 @2	\$46 (5843621 Descripción del Repuesto (5843621' (/ \$ 3, A & (\$46 2 No. de Rep. , A & (2
	F3 2A Tapacubo 92A62F 56 > @6F	
#	. 966-275 +:G DD> 3J Montaje de la rueda y llanta DD> 3-286 @6 6EA?6F	#
)	. 966-275 +:G DD> 3J Montaje de la rueda y llanta DD> 3-286 @6 6EA?6F)
	DD 6764E@ Deflector de hierba V64EFC596C6	
) :?8D Aros en "E" ?762F 56 @6?76	Φ !
	. 2D96C Arondele) @56-6	Φ
	DD 625 @E Perno de cabeza de Cruz @-@ UB16 4@DV	\$
	' 2? 625 * 4GH Tornillo de cabeza troncocónica - :DUB16 4L?5CBF6	\$
) @6C 64E@ Sección del rodillo * 64E@ 56 @6-62F	
	@E Perno @-@	\$
	5:FD6C 2A Tapa regulador 2A:52:FD6FC	

		2'
(: 2 Clave 70 @2	\$46 (5843621 Descripción del Repuesto (5843621' (/ \$ 3, A & (\$46 2 No. de Rep. , A & (2
) @6C F36 Tubo del rodillo +F36 56 @6-62F	
) @6C 64E@ Sección del rodillo * 64E@ 56 @6-62F	
	. 2D96C Arondele) @56-6	Φ
	* AC?8 . 2D96C Arondele de resorte) @56-6 U@DD@E	Φ (
	2C286 @E Perno de carruaje @-@ 56 42@DD6G6	\$
	+@A 2756 * 64E@ Sección superior de la manija * 64E@ D?AV@6FG 5F 8F:5@	*
	#@16C 2756 * 64E@ Sección inferior de la manija * 64E@ :?706FG 5F 8F:5@	*
	6?16C 2756 * 64E@ Sección central de la manija * 64E@ 46?E2-6 5F 8F:5@	*
	2756 A216 Placa de mango ' 2BF6 56 A@B?V8	*
	. 2D96C Arondele) @56-6	*
	. :?8 %FE Tuercle de mariposa R40E U @6-6D	*



+ (& ,1* 87661* 3 (424) \$1& (\$' &) + % +96 D2J D92CA4FE78 DJD6> :D 678:766G5 E04FE82DDH:9@E4@E24E 36E66? B6 3256D +9:D4FE78 DJD6> H2D AG4:D @ D65FC78 2DD6> 3J @B6C7D?46 DAA286 > 2J A@DD3J @4FC5FC78 D:AA:78 9275:78 @FD6 :EDG6J > A@E?E@4964< B6 4FE78 A6C@ :2746 AC@E@70EFD6 275 A6C@:42=J B6G27B6C* :746 DAA286 42? @4FC :? E@5:64E@D E@4964-D2G @EFC65 @ 6C:F2E B6 4FE78 A6C@ :2746 3@ 4964-D 7665 E@36 A6C@ :65 @ 3@ B6 6E7275 C89E D56D @B6 > @B6C 964<?8 B6 4FE78 A6C 7@ :2746 275 25:FE78 :7766565 2G B6 > @E > A@E?E@:78DJ @? 42? 5@E@6?DFG B2EJ@C > @B6C2+2JDA6C@ :D @E- 2=J 4 3\$4\$621 0@E=:7665 D6G@ :? H:56 DEAD@D?252G AC7B6CA2A6C ?@?6HDA2A6C 23@E :? =@8 2?5 2 A2:C@H@: 8-@DD .)%% +96 > @B6C3256D2G D92CA . 62C 8-@DDH96? A6C@ :?8 B:DAC@65FG 275 <66A 7786D2H2J 7@ B6 :?B6C246 36E66? B6 66-275 D2E@2C 3256 ?DFG B2E@96 > @B6C42?? @E@-7@E2G 3J A@E@:78 :E@ 2 7G- @G-DFC246 H:9 2 3-@ :? 7@E@B6 G2CH966-D +96? Q:DB B6 > @B6C@B6 9:896DE4FE96:89EA@E@ @ > A@DD 2446DD + (& 2 6+ (%\$ (50\$. (821686 +@4964< :7B6 3256D> 2<6 4@E4E 246 B6 7@E@B6 > @B6C2?5 D@H AF=B6 4FE78 66-5@H?H2G @ 6 3256 2E2 E-6 B@C89 2 7=-@E@ @E@H@ 7J @? 962CD4CA?8 @?76= GDD2?46 D-A B6 G> 2:756C@B:D64E@ 275 A@2665 @ 5:FE78 B6 =56D @ A286 ++ % + & 7B6 4FE78 66-275 D2E@2C 3256 > 2<6 4@E4E B6 > @B6C@H=:36 5:74FE @AFD@ 275 > 2J 5F=B6 3256 + (& 2 6+ (%\$ (5 8763423 (4: +@4964< :7B6 3256D4FEAC@6GJ J@E H=:7665 @4964< B6 3256D @ 3@ B6 6E7275 C89E D56 @B6 > @B6C&? B6 6E7275 7665 2 DEA @A2A6CFA G@E42=J 7@ F756B6 > @B6C 36E66? 2 4FE78 66-3256 275 B6 D2E@2C 3256 3@B9272? :749 @B6 DEA D@E-5 36 G@36 23@ B6 D2E@2C 3256 \$' &) + % + 2JDA246 B6 DEA @A2A6C DE2:89EFA 275 5@H? A6C@675:4F2CE@B6 8C@75 =6 2 3256 @82DD .)%% " 66A J@C7:86D2H2J 7@ B6 4FE78 68:@ B6J D@E-5 36 36-@ B6 D2E@ 2C 3256 ' F=B6 4FE78 66-5@H?H2G @D6C78 H96B6C@B6 A2A6C:D4FE2D B6 7@E4FE78 66- 5656 A2DD6D * =56 B6 A2A6CFA 2 9272? :749 2E2 E-6 @ 4964< B6 @B6C3256D \$ @B6 E@B6 C89ED56 @B6 > @B6C275 4964< :7 B6 3256D4FE@ B2ED56 A@26GJ 7> @E@B6 3256D4FE@ 3@ D56D B6 4FE E78 DJD6> :D6E4@64EJ 7> @E@B6 3256D5@?@E4E B6 4FE78 DJD B> 7665DE@36 25:FE78 ' @665 @ 5:FE78 B6 =56D @ A286

20 342%&C1' (/)71&21\$0,(162' (/\$ 8246 \$' &) + % =DDB> 2 56 4@B6 BF652? 27:25@D6E 5:DB 25@A2Q 4@C@VDA65 D? 4@E4E@6?E@ 2D 9@D D6 DDB> 2 56 4@B6 F6 > AG4:D? 5FC27B6 > D> 342 * :? 6> 32G@56D6 > 2J@56 56D4> :6?@ A@DD3J @FC05F2?B6 6-E2?DA@B6 > 276:@FD@6D > FJ > A@E?7B6 4@ A@B2C6-G75> :6?E@56 4@B6 27ED56-AC 6CFD@ A6C 5:42> 67B6 6D6 6= 56D4> :6?@AF656 @FC06? 5@D5:644 @6D 5@ 4@E@6DD@ :746D2C@A2C 6C:F2C6-G75> :6?E@56 4@B6 2> 3@D4@E@6D5636? G242C@ 2 =J :B6G52 J = 56G492 56 = A@25@ @ A@B2C6-G75> :6?E@ 56 4@B6 J 2:FE78 D 6D?746D2C@D@ =D4@2D> TD > A@E?7EDBF6 AF656 9246CA2C 2LB8FC2BF6 = > TB? :? G242 D6> AG J A E- 2 4 3\$4\$&C1 %646D2T G@C@ :? 2> A=2 E2D56 A2A6-56 > A@D@ 6E752C ?@A6C 5:42 2A@> 252> 67B6 :? =@B@J F? A2C56 8F27BD56 E2E2:@ -) + % * 6 4@E@ =D9@2D56-4@E24VDA65 , DB 8F27BD4F275@G246 6DB A@B65> :6?E@J > 2? B?82 =D565 @6; @56 = :?B2C6?E@ 6=42@B6 J = 4F49= 6D24: @2C D8 6D6 56 BF6 = 4@E25@ ?@AF656 @B2C9242 25627B6 4@E@75@D @D@G F72 D7A6C46 7C-6 J :?G =52 4@ F? 3-@B6 7B?B6 2=D@F652DE@D@ #F68@ 66G2C@-4@E24VDA65 6? = A@D4? 56 2FC2 56 4@B6 > TD2E@2C > 6; @E@C@-2446D@ 20 347(% < \$5 +2-\$5 +\$8(1 821686 ' 2C 4@ A@B2C@ =D4F49= =D9246? 4@E4E@2=G7B6 56 = A@25@ J E@ 6E78? 67B6 6-4@B6 9242 232:@ 42@B6 56 F72 9@ 2 = 6G 2 E2G@56 F72 @E4? ? 4@ A6E2 G@ :? :? F65 @ 6 D42C@D@?E@GDD@742 :8? @ 6-G@E@56 6D2 D644? J A@B652 2 2FE2C2D 4F49= =D6? = A78:72 B74? * : 6-@=56 4@B6 J = 4F49= 6D24: @2C 9246? 4@E4E@ 2 A@25@ D@J 5:74-6> AF:2CJ AF656 @242C2 9@ 20 347(% < \$5 87&+ // \$5 8246\$ 1 8244 & 60 (16 ' 2C 4@ A@B2C@B6 D =D4F49= =D4@E? 4@B64E > 67B6 5636D4@ A@B2C2D9@D2 = :B6G52 J = 56G492 56 = A@25@ ? 6 =25@B6F6G@ :?E@B64C F72 E2 56 A2A6-9242 2C@2 G@E42> 67B6 5632:@56 = A@25@ @?E@ F72 4F49= = 56 42@B6 J = 4F49= 6D24: @2C A@> 252> 67B6 > 652 AF=8252 56 = E2 5636 D@C@D36 A@B6?4> 2 56 = 4F49= 6D24: @2C \$' &) + % * 6> AG 4@B6 = E2 56 A2A6-9242 2C@2 J 9242 232; @A6C@675:4F2C2-DF6@4@ @F? 9@ 56 9:6C2 -) + % \$ 27B?82 =D565 @6; @56 = G8?] ? 56 4@B6 5636 6D2CA@5632:@56 = 4F49= 6D2 4: @2C * 2BF6 6=42@B6 56 4@B6 9242 232 @D@B6?5 @D 6= A2A6-D6 4@E2 4@ @ =AG- 6C4@B6 56 =42@B6 A2D252D 56 4F49= 6D2 6D46 6=A2A6-F?2 => E25 56 F72 AF=8252 6? F? > @ 67E@A2C 4@ A@B2C2D @E2D9@2D \$ @B6C2 = 56G492 56 = A@25@ J G@E7F6 D =D 4F49= =D4@E? 4@B64E> 67B6 6? 6D6 =5@ * : > 2J@2 56 =D4F49= =D56 4@B6 6? 2> 3@25@D 6 =DDB> 2 56 4@B6 6E7 4@?BFC2@4@B64E> 67B6 * : > 2J@2 56 =D4F49= =D? @4@E 6 =DDB> 2 56 4@B6 5636 2FE2@B6 ' @B656C2 2FE2C2D4F49= =D6? = A78:72

! @),88621' (5 3(424) \$1& (5' (8273(\$' &) + % #6 DJD6> 6 56 4@B6 56 D@E@D2CA6DE 4@VFA@C4@A6C@B6G6 D?D4@E4E@?E@ =D2> 6D 6 DJD6> 6 56 4@B6 2 V@5V7? :@D56 =DDB> 3286 56 A@V4D@ +@B6?D V@E?E@?V@6 8-@DB > 6?E@FE A@DD3J DB A@B6G6 A6?52?E@A V@B?E@ 56 > 2?7B? E@ @ FE42E@ :6D@B> A@E?E@56 G@76C6D A6C@ :2746D56 4@B6 2C2?E2 AG> :YG FE42E@ 6E A@B6BF6> 6?E2C2 DF: B6 R2?E5@?V@6D@E2GD A6F@E@E@ A@B6G6 52?D56F 5:G@E4D 56F G@742 E@DD@E?V@6D@GD@A@E@F@C@2 A6C@ :2746 56 4@B6 =D G@V?42E@D5@G?E@B6 6764E@V@D@FC6D 56F =D4@E@D82F496 6E5@E56 = E@56FDB -V@742E@ 56 = A6C@ :2746 56 4@B6 6E2:FE@C@ ?V@6D2G D@E6D49@B6D@A@F@D> A@E?7EDBF6 G@E@A@G@K 7C@ A@C2G 6? D@B6 BF6 G@B6 E@56FDB 7@4E@?6 E@; @D56 > 2?:YG @E- 26 4@B6\$621 - @D2FGK36D@ AF6D@F :? =@B6D32?56D56 A2A6C 56 = AG> 27B6 D2?52G A2D56 ; @?2=6?G@D :? =@8D6EF76 A2G 56 82?E@56 E2C= -) + * \$ % #6D> 6D56 = E@56FDB D@E@E? 4927ED' @B6K56D827E =@B6G G@D6764E@K46B6 A@B6BFG 6E6D5@B6U@M42E56 =?B6C246 67B6 = 3@:76 6E2 = 6 716 * D2DFG@B6 = E@56FDB ?6 A6FEA2D@E@6C@D@E2 G?E@? 6 A@E@?E?E@F@?6 D7C46 A2?6 6E6G 6 2G4 F? 3-@ 56G?E@D@E@D2C@G ' FDD@6G@C2 E@56FDB U = A@E@ 56 92FE@BFC56 4@B6 AFDV@G@V A@C> V@G@C44YD ! @), (4) \$ 65 / (5 / \$0 (5' (821686 ' @C@V@76D =D> 6D7@E4@E4E 246 U42G?E56 = E@56FDB 6E@B6K6? = 4@B6 3@:76 G@D = 32D F76 => 6 U = 7@D A2C?76 @E@E@ 4@ B6 A@B6 @ =D56F ' : G@D6?B?56K82E@B6 @ D?B6KF76 @D@E?46 :8? @B6 6 6D6 56 46B6 D4E@ 6EA2D@K@U@B6C6D => 6DU = A286 ++ % + & * : 3@:76 56 = 4@B6 6E2 => 6 716 2G 4@E4E = E@56FDB D@E2 5:74:6 UA@E@D@B6E@A6E 23> 6C2 => 6 ! @), (4 // (5 / \$0 (5 8273 (16 8244 & 0 (16 ' @C@V@76D =D> 6D56 4@B6 4@B64E> 67E G@D 56@B6K G@76C6D > 6D@FC2 82F496 6E2 5@B6 56 = E@56FDB * FC6 4@B682F496 ?@C@F?6 32756 56 A2A6C@G@E426> 67E@D@ = E@56FDB 67B6 F76 => 6 U 3@:76 6E2 => 6 716 ?G@D F? 56> : A@46 56 = 32?56 5@E@B6 G@36 2F 56D@F56 => 6 D2E@ ?2G \$' &) + % + @E@A246C2 32756 56 A2A6C DE2:89EFA 275 5@H? A6C@675:4F2CE@B6 3C? 596C6 B?E@ 2C56K6D5@B6U@M42E56 = @B6 @ 56 5V4@A286 :D5@G?E@B6 D@E@2 => 6 D2E@?2G) E@B6C2 3@:76 4@B6 @D@B6?E@U = 32D@D 6 = A2A 606E4@A@V@ > 6 = AG> :YG 4@B6 3@:76 => 6 A2DD6D =D@B6 A2A6C@D@E2 92FEF? 56> : 5F? A@46 U = 7@D@E@C@V@76C6D2FE@D => 6D V@246C@D@ 6 4@B65@E56 = E@56FDB 6E@V@76D =D> 6D4@B6?E4@B64E> 6?E@F@C46 4@B6 * : = AFA2E56D => 6D56 4@B6 56D56F 4@B6D 6 DJD B? > 6 56 4@B6 6E4@B64E> 6?E@V? : * : = AFA2E56D => 6D76 4@B6 A2D 6 DJD > 6 56 4@B6 5@E@B6 2FE@B6 =G56 =2G?E@A@C@B6C6D => 6DU = A286

\$5,&87661* +(*+6\$ -756) (16
 0@C76H 66=> @16CD6BF/A65 H:19 B6
 ?6H6DE2DJ 96:89E25;FDE 6?E 5;FDE 6?ED
 >256 3J D> AJ AF=?8 7@E25 @ B6 96:89E
 25;FDE 6?E666@4620B6 -@-?8 E23 2?5
 6:B6C2:D78 @-@16C78 B6 H966=

28(4%\$) (\$ -756) (16
 * BA) 6> @6 EA 4@6C3J 6> @5?8 B6 EH@
 DIGHD@ 6249 D56

* BA * :89EJ =@6? 3@E 2?5 D@H? :?
 A4FE6 @ B6 C89ED56 @B6 > @6CFD78 B6
 A@2565 HG?49 DIGH 506C

* BA 267=> DA? B6 3-256DE@2DF6
 B66 :D?@4@E4E36E166? B6 3-256D2?5 B6
 4FHEC32C

* BA 267=> DA? 3-256D2?5 E? 3@EMP
 D@H? :? A4FE6 4@?B6C4@+H1D6 F?E-B66
 :D4@E4E36? DKA

* BA +F? 3@EP F2 E? 4@+H1D6 @F?E-
 4@E4E4D;FDE6-62D65 +89E? 3@E 2?5
 2?5 4964-@> 2-6 DFC B66 :DDE=?@
 4@E4E36E166? B6 3-256D2?5 B6 4FHEC32C

* BA) 6A2ED16AD @ B6 -67ED56

* BA) 62E249 B6 EA 4@6C

. 96? A@26G 25;FDE B6 4FE?8 66-2?5
 DE@2C 3-256 D@E5 36 ;FDE@E@? 2<?8
 4@E4E

(1(4\$ / 8\$4
 \$:?>F> 42G :DGEF:65 E@2DF6 D> @B @62E@
 @J@C> @16C

O +@2C@5 52> 286 E@B6 > @16C@4FE?8 3-256D
 <66A B6 262 E@36 > @165 766 7@ 2?J 563CD

O . 6 DF886DE2 @E?6 2AA+4E@ @ @-@F3C42?E
 :6 . +9:DD@E5 36 2AA+65 E@2=4FE?8
 DFC246D B6 4FE?8 66-21 -6 D?2E?75 H966+D

O 7B6 > @16C86EH6E 5C :E@H1B 2 E@16=2?5
 B6? DA2J :EH1B 2 CFEAG6?2E66 2DD@ 2D
 A@D36

++ %/ &% @?@F16 D@6?E@DF49 2D> :?62=
 DA@E@-6@D?6 E@462? J@C66=> @16C+96J
 H:52> 286 B6 A2DE4

-756 5 %5,825' (/\$ \$674\$' (8246
 * F ?F6C A@25@ > 64T?42 6DF 6BF:A252
 4@ F? 2;FDE 56 24F2 ?F6C@? F656 9246C6=
 2;FDE E2?5@2 A2-2?42 56 2;FDE 56 24F2
 9242 6-76?B A2C 6G2C2 -6?8a6E2 6-6C2?5@
 @32:2?5@2 C652

-756 5' (/\$ 87&+//\$5' (/\$ 32' \$ 24\$
 ;FDE656 -2D4F49:-2D56 -2 A@25@

' 2D@) 6E6 -2 E2A BF:E?5@-@D5@E@?=-@
 6? 4252 -25@

' 2D@ 7@6 -6@> 6?B > 2?492D J BF6
 D6 > F6DE2 6? -2 > 286? 6? 6-25@56649@56
 -2 A@25@ FE+?2?5@6-26 56DE@?=-25@
 DF> :?DE25@

' 2D@ :2C4@ 4F:525@2D4F49:-2DA2C
 2D68F2C6F6 ?@92J 4@E4E@6?E6 -2D
 F> :?2DJ -2 32C 56 4@6

' 2D@ :2C2D4F49:-2DJ 8:6 6-E@?=-@
 D6 > F6DE2 6? -2 > 286? 9242 -2 :KF:652
 92D2 BF6 ?@92J 4@E4E@2 4@E?F24?]
 56B?6C4F:525@> 6?B

' 2D@ ' 6?@ :6 CF6-2 9242 -2 566492
 @92D2 BF6 6-4@E4E@6 24232 56 -2?K2C
 A36B -@A6C?@ J J 6C7BF6 A2C
 2D68F2C6 56 BF6 E@2C2 ?@92J 4@E4E@
 6?E6 -2D F> :?2DJ -2 32C 56 4@6

' 2D@) 6A2E -@A2D@ 6? 6-25@
 :KF:65@

' 2D@ - F6-2 2 4@2C2 4F3:6C2 DFA6C@
 F2?5@D6 2;FDE 4@64E> 6?B 6-@656
 4@6 J 6DE4 :@2C@9@ 5636 6DECFDE@2?B6D
 56 9246C4@E4E@

\$765 * (1(4\$(5 3\$4\$ (/ 87, \$' 2
 * 6 B6F:66 56 F? 4F:525@2C 2D68F2C6F6 DF
 A@25@ F?4@6 D? :?4@6?6?B6D

O 2C 6E3C@52 @2 -2 A@25@ @2 -2D
 4F49:-2D > 2?B?82 -36 56 56D649@6=762 B6
 D6 92 56 4@6C

O#6 DF86C @BF6 2A+BF6 4@ 68F-2C525 F?
 246B F @F3C42?B A 6; . =F3C
 42?B 5636 2A+426 2 @2D-2DF64:46D56
 4@6 2-6 56-4-?5@656 4@6 J 56 -2D C652D

O* : -2 A@25@ D6 > @ DVF6-@4@ F?2 E@-2 J
 6?E@46D-@@2? 4@ F? 2?E 1:5@E? A@E@
 4@ @D6 A@36

B?4? ? %@FE+6 5:D@6?BDE2-6D4@ @24@66D
 > :?62-6D @A6E-6@A2C => A2CDF A@25@ 56
 42@6B (F6 AF656? 52 2C6-A7DE4@

-756 0 (16' (/\$ +\$76 74' (8273(
 - @6 ?@6-6 E@56FD6 6DEVF:AV6 264 F?
 2;FDE > 6?EYD2:DV#2;FDE > 6?E6 2:EB?
 3@862?E6 -66CA@OAV6C@C 32:DE6C6D
 @6D

-756 0 (16' (5 /\$0 (5
 RE2A6) 6E6C6 4@6C46 DFAV6F6C?
 6?6C2?E6D56F GD56 492BF6 4'EV

RE2A6 6DD6C@V8Y@> 6?E6DE2496D 6E
 C@C> 286 DFC6 4'EV50E56 -2 E@56FD6 U
 -2:56 56 -2 4AV@C6GD7@C:

RE2A6 +@?6C2G4 AV42FE@ -6D-2> 6D27?
 56 D2DF6C6BFL=?J 2 2F4F? 4@E4E6?E6 -6D
 A2-6D6E2 32C 56 4@A6

RE2A6 * @?6FD6-6?E2:BD6E@?6C6D
 -2 6D6E@?6C2 GD 4:4@E6 52?D-6
 D6?D2?E@2:6 ;FDFLU46 BFL=J 2E4@E4E
 AF:DD2C@B

RE2A6 \$ 6B6KGDN QF? G286 6D-2
 5@6 @ ;FDFLU46 BF6 -6 4@E4E6DE6?E56
 D@C* 6@6C6DGD 6E 6E@V76CA@C
 D2DF6C6BFL=?J 2 E@; @D2F4F? 4@E4E
 6?E6 -6DA2-6D6E2 32C 56 4@A6

RE2A6) VAV6K-6DV2A6D DFC6 4'EV
 82F496

RE2A6) 6A246K-6 4@6C46 5F 92FE

#@BF6 4@64E> 6?E2:F6V2 3@:76 4@A6 6E
 DE@?2:6 -2 -2 6 5662:EX6 ;FDE 2C2?E2
 A@6 56 4@E4E

16(6(1 820 0 71
 , ? 6?E6? > :?> 6 6DE?V46D2:6 A@C2DFC
 6CF?6 @V@E@ 4@E?F6-6 56 6@E E@56FD6

O' @C@66C5675@ > 286C@6 E@56FD6
 D@6KD C56 6E6C@E@D-6D4@ADV2?86D
 DFC2 A6-@D6 UE@56

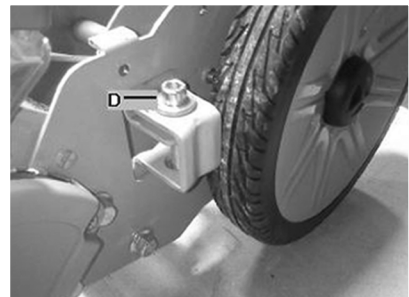
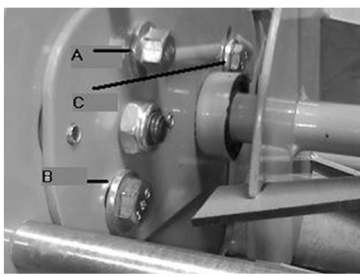
O, ?6 2AA+4E@ 519F-6 @ F3C2?E .
 A2C61 6> A6 6DE64@ > 2?5V6 DFC6D-2 6D
 4@A2?6D -6 > @6F 56 -2 32C 56D-2 6D6E
 -6D@6D

O* : -2 E@56FD6 6DE> @-V6 DM96C264 F?6
 D6C666 6EAF:DG2A@D6C264 F? 2?E@?=-6
 5YDBF6 A@D36

++ %/ &% %6 A2DFE:6C56 D@E?E@B6D
 BF6 -6D6?46 > :?V2-6 @F 5F -V@D?6 A@C
 ?6E@6C@6 2F496FD6 56 3@:76 -D
 23]- 6C2?E6 A2DEBF6

O 256K@6 E@56FD6 A@6 A@C@V@ :?6C
 -6DV@?E6-D3@C286D6E9F> :5:EVF: A@C
 C2E42FD6C56 -2 @?=-6 +@56FD6 D6?46FD6
 D62 5FC?EAFD-@8B> AD6E> :6F D=-6DE
 82GVAC@6 A@D-2 E@B6 FE:6C? 32-2:
 @F?6 3@D6 UA@D-@8DA@C?6E@6C6D
 E@B6D56 82K@ @ 512FE@D5V@D56 -2 E@
 56FD6 6? A2E4F-6C2FE@C56 -2 3@:76 56
 4@A6 6E6 32D5F 4@6C46 5F DJD> 6 56
 5:DF6 ?66C6D@?F6D56 82K@
 6> AX496 56 4@A6 6EDJ> 6 516?E2?6
 > 6?E4@7FE6D6E@V@ :?6 ACD2F AY86 -9F
 > :5:EVF: A@C2E42FD6C56 -2 @?=-6

++ %/ &% %6 A2DFE:6C? FEJ2F 52C
 @286 A@C?6E@6C@6 E@56FD6) 2?86C2
 E@56FD6 9F> :56 A6C 6E2 56 @?=-6 2F 7@C F
 -2:6



O " 66AJC@C @#6C462? E6=> :?2B A@#E2=> D
 275 > @DFG B2E4@5 42FD6 FTE0@CD6?E
 > @6CH=-2FE@86C2?5 @2 36#C7:ED-6AE
 462? 76C> @1:78 F6 2 3000 @-@8 30#E5
 3FD9 E@462? 2?J 8C2D4+AA?8D @#6C->@#6
 563CD7@# B6 > @6C 6DA642-J 20#?5 B6 4FE
 E78 G6=2?5 B6 3#E@ @B6 50G DJD6> 4@#C
) 6> @#78 8C2D4+AA?8DA6G?#E4FE78 2?5
 50G DJD6> > D2?5 6=> :?2B E2AA65 > @D
 FE6 B2E4@5 42FD6 FTE
 ++ %& @#?FD 2 8256? 9@# E@H2D9 J@C
 > @6C* E@78 B6 > @6CH6H=-2@# FTEH@C@
 O #F3C42E > @#78 A2@D2E62E@46 2 D62D@
 2?5 AC@E@H?#E@E@286 E@> 2?E? A6C<A6C
 7@> 2?46
 O ?D#64E3-256D2E62E@46 2 D62D@ 2?5 2?J
 E> 6 J@C@ #60DE-6D2 925 @64E. 9:6 J@C
 D6?E> @6C62F6D2 4FE?8 DJD6> H9 925
 6?65 D66-3-256D 3-256 52> 286 > 2J DE=@4FC7
 @-D 4@4@6# 6586D @#6C925 563CD2G
 D#F4 67@ 4964<?7 @3-256 52> 286 6?DF6
 B2E6 > @6C42?? @#E-@D@C 3J A@E@?78 :E
 @ 2 7G -6G-DFC246 H9 3->@-65 G2CH966#D
 1> :?6 B6 6?E@ -6?8# @B6 80#?5 6586D @
 2=7@ 4FE?8 G6=3-256D2?5 B6 D2E@2Q
 3-256 72 56?E@5:78 :D?75 56#G :?6 :?B6
 5:78 42FD6B6 4FE?8 G6=2?5 D2E@2Q 3-256
 E@#49 +@5@9D D@H AF=B6 4FE?8 G6=
 5@?H25 H9:6 =#E?78 7@D42A?8 2?5 76#?8
 7@GDD2?46 :? B6 2G2 @B6 5:78 7#B6G :D?@
 4@E24E B6G :D?@765 E@G2A2C#6 5:78 * > A#
 E2E#H9 FTEAGG?E#E6 2?5 G :?D#64E6C
 @42? :? 42D 2:65 6586D2A62CH9 4@E?
 F65 FD6
 .) %& +96 > @6C3-256D2G D32A . 62C
 8-@#D#6? A60@ :?8 B9DA@65F6 2?5 -66A ??
 86C2#J 7@# B6 :?B6246 36E#66? B6 G6=2?5
 D2E@2Q 3-256
 O +@2C@5 F@B6C5> 286 @A2C2?J 5:78 B2E
 42FD6B6 4FE?8 G6=2?5 D2E@2Q 3-256 @
 @#49 2D BF4<J 2DA@D36 . :B 42G 2?J 5:78
 7@?5 42? 3G @A2:G5 H9# #E@ @?> A24E@
 J@C@ #60D4FE?8 A60@> 2?46 67@ 368:
 ?78 86E2 ?2@# 7?6 7?5 A@#E@ B6 > @6C
 @ 2 7G -6G-DFC246 H9 3->@-65 G2CH966#D
 E@?DF6 B2EE42?? @#E-@D@C +@# @# B6
 5:78 76 2#J @J 6?@89 @B6 2:65 > 2B6C=
 E@2@# B6 4FE?8 G6=E@A? H9@# 2<?8
 4@E24E#H9 B6 D2E@2Q 3-256 :6 H9 @#8
 D#289E#6DA606?54F2CE@B6 4FE?8 6586
 @B6 3-256 E#?8 E@2C@5 @> @#78 > 2B6C=
 7@# B6 4FE?8 6586 :#B? 964< :?B6 :?B6E46D
 36E#66? B6 4FE?8 G6=2?5 B6 365-?7 2G DFE
 236 2#C7?:D#?8 7#?8 B6 5:78 244@#?8 E@
 :?DF4E@ @25:FTE?8 B6 3-256D
 ++ %& @#?FD A@#6C@#E@G2C3-256D
 +@# F49 D66-H=36 @> @#5 GDFE?8 :? D#G@
 3-256 52> 286 2?5 8G2E# G5F465 4FE?8 A60@>
 2?46

O \$ 2?B?82 => TEF:72 => A2 A2C 6=> :?2CA@
 36D2E2D@DJ => 9F> 6525 B6 A@#C 42FD2C@:
 524? @24#A#65 D6?4@: @D6 5F2?> TDJ
 > @; @D 6> 2?B?76 => A2 6DA#VD56 D682C
 FD6 F72 6D4@2 @?# 46A=@56 46G5D2-2@2D2A2C
 => A2C4F2-BF6C9G3C2 F @#DGD5F@DF6#D
 56 => A@25@ D@G E@#-@#56 4@# J =>
 A2@ :?7C@56 => 4F36C2 56=D@#> 2 56 > AF=
 DJ ? (FIEC@2 9:6C2 63E B6 4@# J D@#> 2 56
 > AF#] ? > 6G 6-252DJ 6=> :?2 9F> 6525 2E2A2
 52 B6 AF656 42FD2C@:524?]
 B?4?] ? @#FE#46 F?2 > 2?8F6C 56 :G2? A2C
 => C@D F A@25@ => 246?2C6-4@#24#A#65 > @25@
 A6G :E@ > @ @2=> F2C@
 O #F3C6F6 => A2A#B>] G6D A@C@> 6? @F?2 G#K
 A@#> A@252 J 2?#D56 8F25G@56 :?G@?@
 A2C > 2?B?6CF? G?5> :?E@# A# @
 O ?D#644 @6 => 2D4F49=> 2DA@> 6? @F?2 G#K
 A@#> A@252 J 6? 4F2-BF6C@ @ 6?E#F 4@
 E24#A#65 8@#62 F? @#6E5F@# :?E2D#F6 DF
 D6?4: A@A@25 @2 4F6?E 4@ F? D@#> 2 56 4@#
 4@: 4F49=> 2D56 24C@#?5F6452D AF656? @FC
 C@52 @2 => 4F49=> 2 D D@ A65C2D 3@#6D56
 9@# :8] F @#D6D4@ 3@#5F@? ?#D56 3FD
 42C52 @56 => 56 2D8 G@ 56 B6 => 4@#25@
 ?@AF656 @#2C9242 2562?B 4@#?75 @D @G
 F?2 D#A6Q46 7G 6 J :?> 252 4@ => D#F652D
 3-@#F6252D 1> :?2C@2 => @#8F5 56 => 3@
 56D56 => E@C2 6? E@# @-@D2G@#D56 4:74@
 4F49=> 2DJ => 4F49=> 2 D#24: @2C * :? 6?4F6?E2
 F?2 23@25F2 @5:78 56#G :?2C 6-5:78 A@#@
 42 =@#56 4@# J => 4F49=> 2 D#24: @2C 2=
 E24E' 2C 6=> @6?E> 6?# E@ 6-@#56 4@#
 9242 232 @ :?E2D6D#F492 A2C 2D2A2C D#?
 D24?] 56 @D#B742 6? => K@2 56=5:78 * :?@
 92J 4@E24E@?@92J A2C @A2C@6-5:78
 * > A6- 6?# E2E@#4@ 2?#] 5@J @ :?D#64E
 A6Q 5:42- 6?# 6? 42D@56 B6 => 3@#6D-6C?
 E25@2A2G46? 4@ 6-FD@4@E?F25@
 -) + % * 64@E? => 2D9@D56=4C
 E24#A#65 , D6 8F2?#D4F2?5@G2#46 D#B A@#65
 > 6?#J > 2?B?82 => 565@6=> @56 => :?B@K
 6?# 6=> 4@#B J => 4F49=> 2 D#24: @2C
 O ' 2C 63C@ TD52 @ #A2C4F2-BF6C5:78 B6
 42FD 2 =@#56 4@# J => 4F49=> 2 D#24: @2C 6?
 4@E24E@?#BDA@#36 @ 4F:525@D# AF656
 @A2C4F2-BF6C5:78 D6 6?4F6?E2? 4@ A@A@
 ?78 ? > A24@6? 6=> G?5> :?E@56 4@# 56 =>
 A@25@ ?#D56 6=> A6K2C92KF2 => 2 ?72
 6D#492 J 4@#F6 => A@25@ D@G F?2 D#A6Q
 46 7G 6 56 A2-2?42 4@ #F652D3-@#F6252D2A2C
 2D68F2C@#F6 ?@AF652 @#2C9242 2562?B ' 2C
 F#E@6=5:78 2@9:G@6 @D] @-@D#F46?#B 56=
 > 2B6C=6C?E25@A2C A6G :E@#-@#56 4@# 2
 8:CD? 9246C4@E24E@4 => 4F49=> 2 D#24: @2C
 :2 @9:G@4 @2D252D-@#2D G4E2DA606?5:
 4F2CE@6=7-@56 => 4F49=> 2 E2E?5@56 63E2C
 6 E244?] 56 > 2B6C#D56 => G?8F2C D 2
 @ AC#636 D => :?#E@4: @6?# 6-@#56
 4@# J => 365-?:7 D@ 2564F25@56D4F#D56
 B@G :?2C A@#B?E24?] 6=5:78 D#8 ? :?#F4
 4@#D56 2FD6 56 => 2D4F49=> 2D
 B?4?] ? @#FE#46 => 96C@ :?E2 64#E#42 A2C
 @A2C@2D9@2D * 6 BF:E2C 56> 2D25@246@#DF=
 E2?5@? 52 @82G#D56 9@J G?5> :?E@56
 4@# > FJ G5F452

O#F3C76C6DA#46D> @#6D2F > @DF?6 7@D
 A2C2D: D@ 6E2C?#E6 @> :D#26 9:G@2=A@C
 > 2?B?7: C56DA60@> 2?46D @#E- 26D
 O ?D#64#6C6D=> 6D2F > @DF?6 7@D A2C2D:
 D@ 6EU#E#E @ #?E3#E E@56FD6 96F@#
 F? @#6E5FC+2?5:D#B6 G@# E@56FD6 D6?
 4:6F V#F:AV#5E? DJD#> 6 56 4@#6 2G#4 56D
 => 6D6? 24:6@#> AVD 6?5@ > 286> 6?E56
 => => 6 A6FE#6 A@#F:G D @#96D 3@#D56
 3V#E @ 2FE#D5V#D5F@D@E72A#VD
 C?E2 G?742E@ 56D5@ > 286D56 => 256
 @#6C#46 B6 => E@56FD6 ?6 A6FE#2D
 @#6C@D#42C?E6? => 6 A@E@??E#FCF?6
 DFC246 A2?6 6E7G 6 2G#4 56D@#6D2C@#G
 3-@#F#D 1> :?6@#E => @8F6FC56D
 3@#D#FC@#D-6D4:7B=> 6D56 3@#?6 6E=>
 => 6 7I 6 2F D@* :?F 56?E@ 5:78 6D#E#
 G#V5V#B@ :?6C 6 5:78 A@#@#F6 => 3@#?6
 4@#6 6E=> => 6 7I 6 2F @#496C @#C46
 7:G E@K5@#6> 6?E6 @#62F 56 4@#6
 @D-6 32D-@#56 #4@#B A@#6 8C#E#86 6E
 => 6D?E> 6?E56 V#D#2?46 52?D=> 0#8 :? 56
 => 5:78 * !=?J 2 A2D56 4@E24E =?J 2 A2D
 36D@ 56 V#2G6C 6 5:78 =F7E56 E2:6C
 5E? A@#F:E2?E@# => 6 E@V#D#46#C
 V#F#G@> 6?E2F 42D @ #D@G@#D#D27
 7496?E2G#4 #E#D#E@ 4@E?F6
 -) ** \$ % #6D=> 6D56 => E@56FD6
 D@#E2?492?#D' @#6C56D82?#D-@#56 #6 W
 4FE@ 56 46#B A@#V#F6 6E#B256K-6 5@#E56
 #2#E@246 6?# => 3@#?6 6E=> => 6 7I 6
 O' @C#V#6C512F#6D5@ > 286D V#2C2E@
 E#B 5:78 BF: A@#@#F6 => 3@#?6 4@#6 6E=>
 => 6 D#E@?2G 56 E@#496C#6 AFD@A5V
 > 6?E@#6G @4 D@? E#E5:78 E@#G
 A6F#E@ V#2V#2G#4 A6F @#A2D5> A24E#C
 #DA60@> 2?46D56 4@#6 56 G@# E@
 56FD6 C?E56 4@ > 6?46C#W#492G#K?6
 => 6 7?6 V#E@ 6EA-246K-2 E@56FD6 DFCF?6
 DFC246 7G 6 56 #G6C2G#4 3->@286 @#6D
 2C@G A@#D2D#F6G@#F#=#6 A6FE#2D6D#F
 @CA2C@#G#D@' @C#FAA@> 6C6 5:78
 749:6C@ :?#B 2D#K5F > 2E#2F D#V#G#V
 A@#A6G 6#E => 3@#?6 4@#6 56 E@#?6C
 D?D@C# 56 4@E24E#4 => => 6 D#E@
 ?2G @D6C2G#4 E2#D=>@8F6D 5@#D#A6C
 A6?5:4F=> G@E@#E2?492?E56 => => 6 6?
 6D#J2?E5V#6G6?#>G=> 6?E56 > 2E#G 56
 #2@# 56 4@#6 #F > X> 6 - V#7GCD :#D :?E@
 D#46D6?# => 3@#?6 56 4@#6 6E#D4@#
 => 6D4@G6?#?E 2A@YD2G@#G :?W#6
 5:78 4@7@# V# 6?E2H :?#E#4E@D56
 V#-286 56D=> 6D56 5V#E
 ++ %& @#?FD A@#6C@#E@G2C3-256D
 A@#V#2G6C56D=> 6D +@A 51246C6D#DFA
 A@# W6?E2?#?E56D5@ > 286D82G#D56
 => 6 6E56DA60@> 2?46D56 4@#6 B6 D
 V#F#B

=#2JDfD6 42G H96? @6Q2F8 J@C2H?
> @#6C2?75 <66A462C@> @#78 A2@E G@5
DE<?8 @QF???:8 ?E@D@5 @#64E @563CD:?
B6 2@62 E@36 > @#65 6 DF@ B6 > @#6CD
462C2?75 ?@#1 2 @8F2C> 2?B?7?46 D4965F6
?: @560E@A@56 67746?E2?5 D2?6 @6Q2E@
H6=42G5 7@2H? > @#6CH=2DE
=@8 2?5 @6Q2B > @#6 67746?E

*:6> AG @6G DF A@25@2 4@ 4F:525@J > 2?
E?782D6 2:6:25@56 =2DA6K2D>] G6D
G6 =@49@#F6D@4F2:EF:6C4@E4E@4@ @#6
E@D] -5@ @4@ 56D649@D6? =2 TG6 BF6 D6
4@E2 D68 G6D 56 BF6 = A@25@2 D6 > 2?
B?82 => A2 J @D6G F? A@C@2 > 2 56 > 2?B?
> :6?E@G8F=2C2 7? 56 2D68F2C@=FD@6746?B
J D68F@56=2A2Q2E@, ?2 A@25@2 3:6? 4F:52
52 5F2C? A@> F49@D2 @J 7?4: @2C 56 F?2
> 2?6Q 6746?E

2:6DE@E@#C2B6?E@ =@DF6 G@DFE:6K
G@E @56FD6 6E76 G@D2A@C@96KA2D56D
=> 6D4@A2?B6D %6 4@?6KA2D=2 E@56FD6
4@E6 56D @#6D@56D @# 56D5V@CDFC6
82K@ UE@E 2@56K@E @56FD6 A@A@G 6E
DF:GK=6?E@E? @4@ > 2?5V52?D46 > 2?F2=
A@CF?6 @V@2: @ 6774246 6ED2F6

+96G 2G ?@-H2Q?E@D@B2E@B1 B?5 36J @5
B6 A@B4E56D@C@E@ 61 46AE@B2E@B6 =2H?
> @#6CD@5 B6G@F56CDH2C2?B5 2D
7@#D
" #
@ J62D7@ AF@Q2D6 @2F E@B6D
#2H? \$ @#6C @ A2?J H=GA246 T66 @
492@6 E@B6 @#3:72=3FJ6C2?J A2@E@ 7@F?5
5674E@ ? > 2B6C=2?5 @H@> 27D@A
FA@ 61 2> ?2E@ 3J @FC24E@ @2 24E@
2F@ @#65 D@C@46 467B@ 2@E@B7E@B@B6
24E@ 7@GA246= 67E= FLE36 D@A@65
AG A25 3J B6 3F6C
+) * %& +) / ') ** .)) %
+0 ## \$' # .)) %& * % #,
% + & * & \$) %& # +0 %
+ % * * &) ') + , #) ' ,) & *
) # \$ + +& 0) *) & \$ +
) * % +& + / + %& ') \$ +
+ 0 # . % % # \$ ' # .))
) %& *) / # + * * +
/ # , * -) \$ 0 % # # +0 &)
& % (, %& # \$ * , %) %D
% ## .)) %& *
2C2?B :D=> B5 E@> 2?F2=AFD@ H2<
369?5 2AA=2E@D2?5 D@64:742=J 61 4F56D
2?J ?@ > 2?F2=A@B65 A@B@F@ @2?J
<?5 @2?J 4@ > @Q2=7@ @D56?E2=
2AA=2E@D

%@D6 61 B5756 ??:8F72 82Q2?E2 EF6 G2:2
> TD2=7 56 =2 56D@C@4] ? 56=A@B@F4E@
61 46AE@B6 =2 A@25@2 EF6 D6 @756
32 @6D6 24F6@4F6?E2 4@ =2 D6F67B
82Q?E2
=
' @ 2 @4@E25@2 A2@C@56 =2 7492 56
25E@D4] ? =2 @2F E@B6D#2H? \$ @#6C
@ A2?J G6> A2?Q? D? 42@E@28F?@2=
4@ A25@2@#3:72=4F2:EF:6CA6@2 EF6
G@F@B D@C@5674E@E2 6? =@B6 4@460? 2
> 2B6C=2D@J @2 > 2?@56 @Q 2 D@C@1 2> :
?252 A@?F6@E2 7@3@2 @A@F? 46?E@B6
D@C@4 @2F@D25@A@5=2 #2DA6K2DEF6
D6 56G@6=2? 2 =2 7@3@2 A2Q DF G6> A2K@
5636C? D@C@5?G252D4@ 6=A@B6 AGA282
5@A@5=4@ A25@2
%& / * + %& , % & +) %& / ')
' +& * * # ') %& * \$ ' # + * % #,
' * # * & \$) #1 & %0 & %
') , %) & * +& * ' & * # \$
+ % S@ * & %& & * ') +) #
') * & % * / # , 0 %& *
*) %& * \$ ' # + * + & % #&
') \$ + # # 0 * + * # , % &) * &
0 * / # , 0 #) * * & % #
' - # ' &) # ,) S@ & % , %& &
') %& 1&+& * * # ') %& *
' + & % # # 0 ') \$ + + # / # , * & %
#2 82Q2?E2 6D@ => E25 2 =2D2A=424 @6D
6? =2D4F26D =2 A@25@2 D@2 6> AF:252
> 2?F2=> 6?B 56D56 2E@D] 61 4FJ6 6D@647
42> 6?B E@B@F@D@4@ A@B@F@D] ? > @B@Q
52 56 4F2:EF:6CA@ @4F2:EF:6C 2A=424] ?
4@ @Q2=7@ @B@56?E2=

=? J 2 2F4F76 82Q2?E2 EF: D@B@56 2F 56+J
56 =2 56D@C@4@ 5F A@B@F@E 61 46AE@ 2:6
A@FC2 E@56FD6 U82K@ EF: F76 7@D
@75F6 6@E@2C?B5 4@ > 6 DFE
' @C6D 2?D@F@G?E=2492E @2F E@B6D
#2H? \$ @#6C @ A2?J D678286 U@> A24
6@E@B6 AY46 @ A2@5 4@D5V@B 2A@D
61 2> 6? 2EA2C?@E 7@ 6 @ E@E2F@E
46?E@ 56 D@C@46 2F@D@V4@ > 6 V@2?E
5V@4E@F@D6 56 A2C@2 4@D@F4E@ @ D@
D@F4E@ U=2496B@F@C@B:72=D?2D2F4F?
72D +@B@D@D@D56 E2?D@E@F: D@E@E
> A=BF@D@C@6D@E@B@D56 AY46D4@
@B@D@2C@46@E 82Q2?E2 56G@E@E@E A2M@D
A2C@6 4@D@ > 2BFC
#% / * + , % , +)) %& *) +
+& , + * # ') %& * \$ ' # (, * % #,
%& ## * & , & %&) ' &) + # +) %
+ & % + ! , * (, ## * (, * ! , *
+ %& * & , -) + , * ' # , ') +
' #) * * & % # \$ + * / % * , - %&
+ + * + % %& ! , * (, / # \$ + *
+ * ') # #& + +& , +)
) %& \$ ' # (, * + / # , #
) ' & % # + , \$ % + ,)) & ,)
+& , + & \$ \$ %) + * & , * +& , +)
) %& * + % ## # / ' + & % * #
\$ + *) %& + * ') # #&

%D %&%) * %& # , * & + *
') & , + - & * ## .)) %& 0
@D> 6C @E?6

., # , ,) , * & %&) * % # * +
') & , +& # \$ % +&) %&
%> 6@56 D@C@4@ 46?E@

\$' #& %&%) * %& # ') & , +
%& # +& , + * # * ,) %& *
%F> V@56 B@W@ @6 A@C@6D46?E@

