

No.	Description	No.	Description
1	Shoulder Strap	9	Auxiliary Handle
2	On/Off Trigger	10	Speed Controller
3	Impeller Access Release	11	Auxiliary Handle Adjusting Button
4	Collection Bag Holder	12	Vacuum/Blow Selector Lever
5	Collection Bag	13	Wheel
6	Vacuum/Blower Tube	14	Rake Knob
7	Owner's Manual	15	Rake
8	Strap Ring	16	Impeller Cover

ASSEMBLY

UNPACKING

This product requires assembly.

Carefully remove the product and any accessories from the box. Make sure that all items listed in the packing list are included.

PACKING LIST

- Blower / Vac with Tubes
- Shoulder Strap
- Collection Bag
- Owner's Manual

Inspect the product carefully to make sure no breakage or damage occurred during shipping.

Do not discard the packing material until you have carefully inspected and satisfactorily operated the product .

If any parts are damaged or missing, please call our customer service help line at 1-800-618-7474 for assistance.

WARNING: If any parts are damaged or missing do not operate this product until the parts are replaced. Failure to heed this warning could result in serious personal injury.

WARNING: Do not attempt to modify this product or create accessories not recommended for use with this product .Any such alteration or modification is misuse and could result in a hazardous condition leading to possible serious personal injury.



WARNING: Do not connect to power supply until assembly is complete. Failure to comply could result in accidental starting and possible serious personal injury.



CORD RETAINER

A cord retainer is attached to the power cord.

If using more than one extension cord, first tie the two cords in a knot as shown in Fig. 1.

Then, double the extension cord several inches from the end and hook the loop formed by doubling the cord over the cord retainer before connecting to the Blower/Vac plug.



Fig. 1



SHOULDER STRAP INSTALLATION AND USAGE

Attach the strap clip to the top of main body. See Fig. 2.

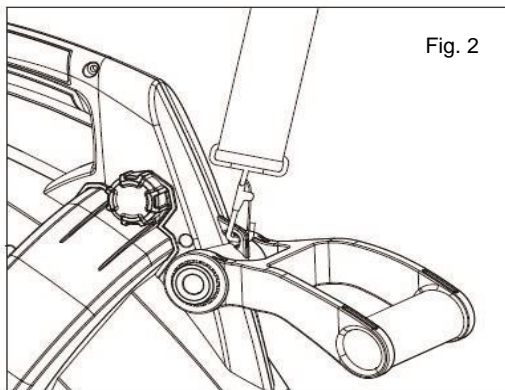


Fig. 2

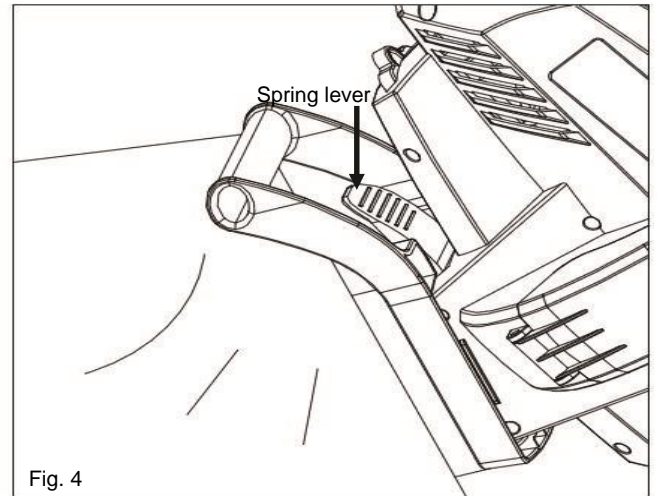


Fig. 4

With machine on operation's right hand side, place shoulder strap across chest and over left shoulder.

TO INSTALL THE COLLECTION BAG

To install the collection bag, insert the buckle of bag holder into the slot closer to the tube on the housing. Push the bag holder down slightly. It will click into position when properly installed. See Fig. 3.

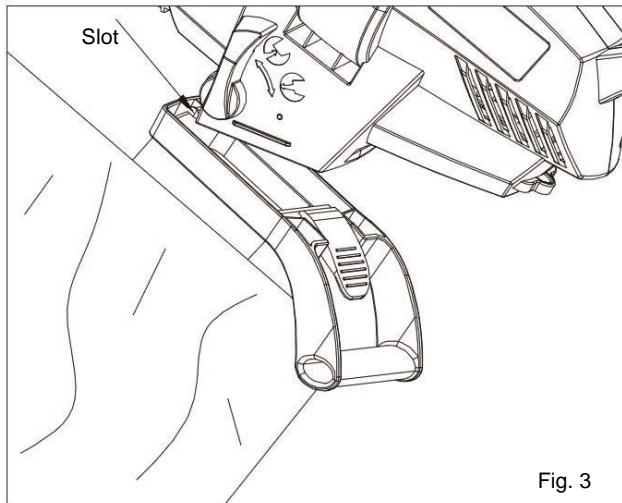


Fig. 3

TO REMOVE THE COLLECTION BAG

Press the spring lever to release the bag. See Fig. 4.