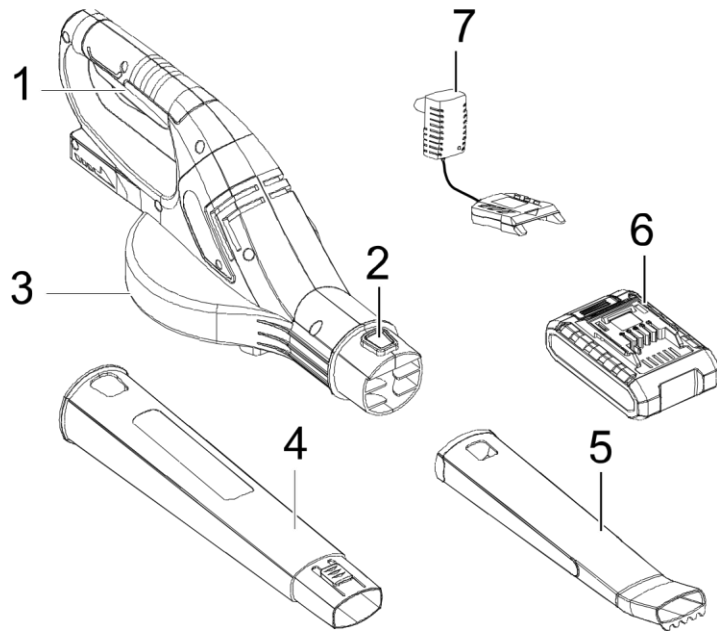


## FEATURES

### PRODUCT SPECIFICATIONS

#### LB21020

Input . . . . . 20Volt/ 2.0 Ah, DC only  
 Speed . . . . . 150 MPH  
 Tube Length. . . . . 20 In.  
 Weight. . . . . 3.75



No.	Description
1	Switch Trigger
2	Tube Lock-Off Button
3	Main Housing
4	Rear Tube
5	Front Tube
6	Battery Pack
7	Charger

### PACKING LIST

- Blower
- Blower Tubes
- Battery and Charger - Owner's manual

This product requires some assembly.

Carefully remove the product and any accessories from the box .Make sure that all items listed in the packing list are included .

Inspect the product carefully to make sure no breakage or damage occurred during shipping ,

Do not discard the packing material until you have carefully inspected and satisfactorily operated the product.