



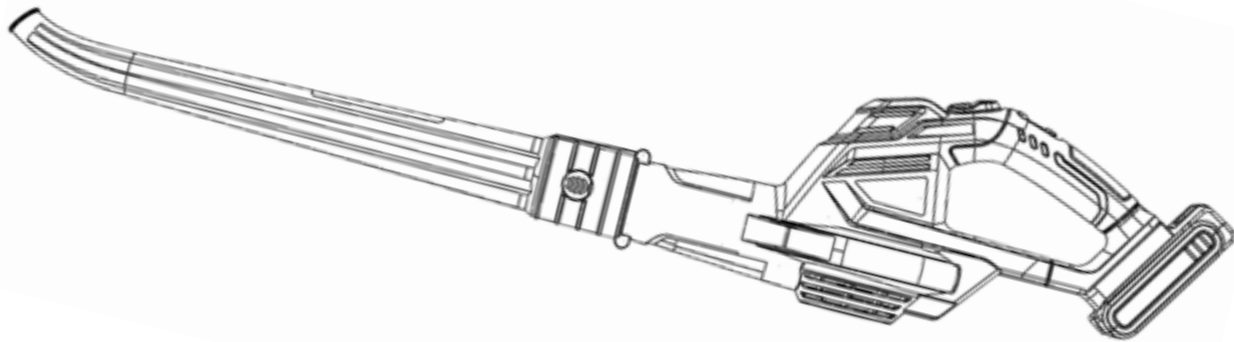
OWNER'S MANUAL

20V Lithium-ion Blower
With (1) 20V 2.0Ah Lithium-ion Battery

Copyright. All Rights Reserved.

Model LB23020-1

BATTERY MUST BE CHARGED BEFORE FIRST USE. TWO TO THREE INITIAL CHARGING/DISCHARGING CYCLES MAY BE REQUIRED TO ACHIEVE MAXIMUM RUN TIME/CAPACITY.



CA Compliant Charger Included (Model No. CHL82000-1)

Your cordless blower has been engineered and manufactured to our high standard for dependability, ease of operation, and operator safety. Properly cared for, it will give you years of rugged, trouble-free performance.



WARNING: To reduce the risk of injury, the user must read and understand the owner's manual before using this product.

.Thank you for your purchase.

DO NOT RETURN THIS PRODUCT TO THE STORE. OPERATING, ASSEMBLY, PARTS, SERVICE QUESTIONS? GO TO AMERICANLAWNMOWER.COM OR CALL 1-800-633-1501 BETWEEN 8:00 AM—5:00 PM EST FOR ASSISTANCE.

SAVE THIS MANUAL FOR FUTURE REFERENCE

⚠ IMPORTANT SAFETY WARNINGS ⚠

TO REDUCE RISK OF INJURY:

Before any use, be sure everyone using this tool reads and understands all safety instructions and other information contained in this manual.

Save these instructions and review frequently prior to use and in instructing others.

⚠ **CAUTION:** Wear appropriate personal hearing protection during use. Under some conditions and duration of use, noise from this product may contribute to hearing loss.

⚠ **WARNING:** When using electric gardening appliances, basic safety precautions should always be followed to reduce risk of fire, electric shock, and personal injury, including the following:

READ ALL INSTRUCTIONS

GENERAL SAFETY

KEEP CHILDREN AWAY - All visitors, children and pets should stay at a safe distance from the work area.

DRESS PROPERLY – Don't wear loose clothing or jewelry. Wear protective hair covering to contain long hair. They can be caught in moving parts. Use of rubber gloves and substantial footwear is recommended when working outdoors.

USE SAFETY GLASSES –Wear safety glasses with side shields or goggles that are marked to comply with ANSI Z87.1 standard when operating this product. Use face or dust mask if environment is dusty.

USE RIGHT APPLIANCE – Do not use appliance for any job except that for which it is intended.

REMOVE BATTERY FROM BLOWER when not in use or when servicing or cleaning. Do not leave unattended.

CHECK DAMAGED PARTS – Before further use of the Blower, any part that is damaged should be carefully checked to determine that it will operate properly and perform its intended function. Check for alignment of moving parts, binding of moving parts, breakage of parts, mounting and any other condition that may affect its operation. A guard or other part that is damaged should be properly repaired or replaced.

LIGHTING - Only operate Cordless Blower in daylight or good artificial light.

DON'T OVERREACH – Keep proper footing and balance at all times.

⚠ **WARNING:** Do Not use the Cordless Blower with any type of accessory or attachment. Such usage might be hazardous.

AVOID DANGEROUS ENVIRONMENTS – Don't use Cordless Blower in rain, damp or wet locations. Do not operate Cordless Blower in gaseous or explosive atmospheres. Motors in these tools normally spark, and the sparks might ignite fumes.

AVOID UNINTENTIONAL STARTING – Don't carry the Cordless Blower with finger on switch.

DO NOT ATTEMPT to move rocks or sharp materials while operating Blower unit. Do not use the Cordless Blower for any purpose other than that for which it was designed.

DO NOT PUT ANY OBJECT INTO OPENINGS. Do not use with any opening blocked; keep free of dust, lint, hair, and anything that may reduce air flow.

⚠ **WARNING:** Use only accessories that are recommended by the manufacturer for your model described in this manual. Accessories that may be suitable for one blower may create a risk of injury when used on another blower. Use only as described in this manual.

⚠ **WARNING:** Turn off all controls before removing battery.

⚠ **WARNING:** Use extra care when cleaning on stairs or steps.

⚠ **CAUTION:** Use only Yardworks 20V batteries with this tool.

⚠ **CAUTION:** Keep children and small pets a safe distance away while operating the Cordless Blower. Flying Debris can cause personal injury.

DON'T FORCE CORDLESS BLOWER – It will do the job better and with less likelihood of a risk of injury at the rate for which it was designed.

STAY ALERT – Watch what you are doing. Use common sense. Do not operate Cordless Blower when you are tired or under the influence of medications, drugs or alcohol.

STORE IDLE CORDLESS BLOWER INDOORS – When not in use, your Cordless Blower should be stored indoors in a dry and high or locked-up place, out of reach of children.

MAINTAIN CORDLESS BLOWER WITH CARE – Keep blower tube and handles clean for best performance and to reduce the risk of injury. Keep handles dry and free from oil and grease.

⚠ **CAUTION:** Disconnect battery pack from blower before making any adjustments, changing accessories, or storing the blower. Such preventive safety measures reduce the risk of starting the blower accidentally.

Recharge only with the charger specified by the manufacturer. A charger that is suitable for one type of battery pack may create a risk of fire when used with another battery pack.

Under extreme conditions, liquid may be ejected from the battery; avoid contact. If contact accidentally occurs, flush with water. If liquid contacts eyes, flush them with clean water for a minimum of 10 minutes and seek immediate medical attention. Liquid ejected from the battery may cause irritation or burns.

⚠ **CAUTION:** When battery pack is not in use, keep it away from other metal objects like: paper clips, coins, keys, nails, screws, or other small metal objects that can make a connection from one terminal to another. Shorting the battery terminals together may cause sparks, burns, or a fire.

⚠ **WARNING:** California Proposition 65:
This product contains chemicals known to the States of California to cause cancer, birth defects or other reproductive harm.

⚠ **WARNING:** Some dust created by this product contains chemicals known to the State of California to cause cancer, birth defects or other reproductive harm. Some examples of these chemicals are:
-compounds in fertilizers
-compounds in insecticides, herbicides and pesticides
-arsenic and chromium from chemically treated lumber
To reduce your exposure to these chemicals, wear approved safety equipment such as dust masks that are specially designed to filter out microscopic particles.

⚠ **WARNING:** Cancer and Reproductive Harm -
www.P65Warnings.ca.gov.

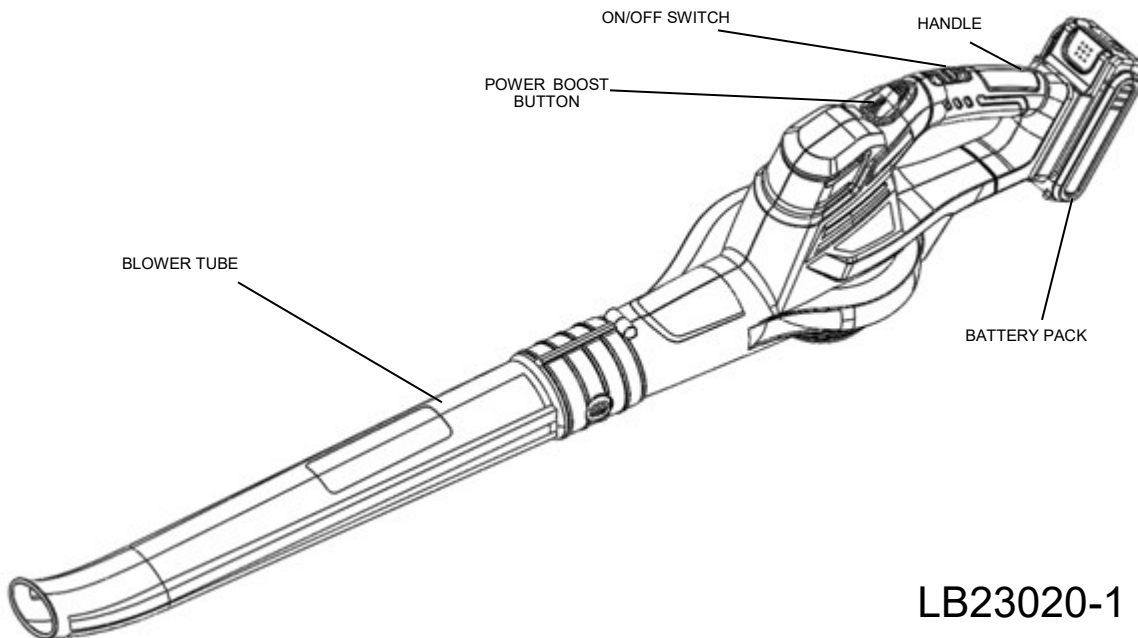
FEATURES

PRODUCT SPECIFICATIONS

LB23020-1

Input 20 V / 2.0Ah, DC only
Speed 130 MPH
Tube Length 20 In.
Weight 3.4 LBS

- One Speed Switch - Rubber Over-Molded Handle -



LB23020-1

ASSEMBLY

PACKING LIST

- Blower
- Blower Tube
- Battery and Charger
- Owner's manual

This product requires some assembly.

Carefully remove the product and any accessories from the box. Make sure that all items listed in the packing list are included.

Inspect the product carefully to make sure no breakage or damage occurred during shipping.

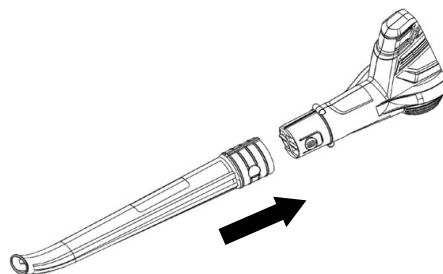
Do not discard the packing material until you have carefully inspected and satisfactorily operated the product.

If any parts are damaged or missing, please call 1-800-633-1501 for assistance.

NOTE: Ensure the blower is switched off and the battery is removed before attaching or removing the sweeper tube. The tube must be assembled to the housing before use.

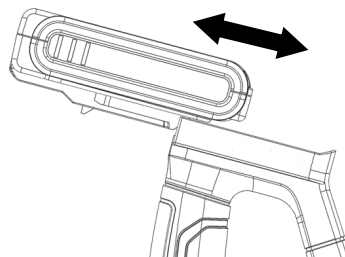
TUBE ASSEMBLY

To attach the tube to the blower, line up the tube with the blower housing as shown. Push the tube into the blower housing until the lock button engages with the lock hole in the tube.



INSTALLING AND REMOVING BATTERY PACK FROM THE UNIT

Slide the battery pack in your blower (see picture). Ensure the battery is securely connected to blower. To remove battery, depress release button and slide battery pack out of tool.

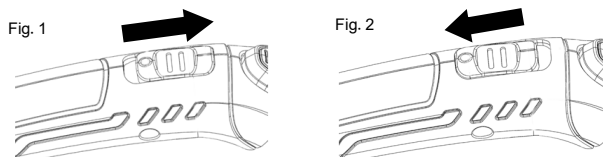


OPERATING

TO TURN THE TOOL ON

Slide on/off switch forward as shown in Fig.1. To turn the tool OFF, slide switch back as shown in Fig 2.

WARNING: Do Not use the blower with any type of accessory or attachment. Such usage might be hazardous.



BLOWING

Blower can be used to clean corners, fences, walls, wooden areas or beneath cars. Be careful how you point the jet of air as it could move heavy material and cause injury or damage.

Turn the switch to on, point the jet of air in front of you and move forward slowly to gather together the leaves or to move the leaves from inaccessible areas.

Avoid collisions with hard objects which could damage your blower.

Keep bystanders and animals at least 5 m (15 feet) away from the working area.



Make sure that the switch is in “OFF” position, the battery pack is disconnected and all the rotating parts are at a standstill before cleaning, carrying out inspections or moving from one place to another.

Do not put part of your body such as hands and fingers in the exhaust opening.

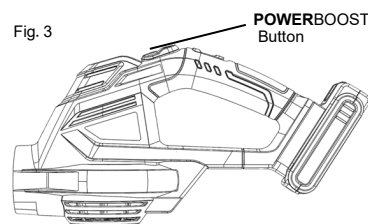
Do not switch the machine on in enclosed or poorly ventilated spaces or in the presence of flammable and/or explosive substances such as liquids, gas and powders.

WARNING: After battery has been fully depleted, make sure switch is in the “OFF” position.

POWERBOOST FEATURE

This feature is located on tool handle as shown in Fig 3. It allows you to optimize the tool performance and boost the power as needed.

- Switch the blower on.
- To activate the “Boost” mode, depress the **POWERBOOST** button.
- Operate in “Normal” mode for most blowing needs. (Longer runtime will be achieved.)
- Activate “Boost” mode as needed to clear heavy or wet debris.



MAINTENANCE

If you drop the blower, carefully inspect it for damage. If the tube is broken, housing cracked, or handles broken or if you see any other condition that may affect the blower’s operation, call our customer service help line at 1-800-633-1501 for assistance.

To clean the tool, make sure the battery is detached from the unit, then use only mild soap and a damp cloth. Never let any liquid get inside the tool; never immerse any part of the tool into a liquid.

IMPORTANT: To assure product SAFETY and RELIABILITY, repairs, maintenance and adjustment should be performed by an authorized service center or other qualified service organization, always using identical replacement parts.

CAUTION: Do not at any time let brake fluids, gasoline, petroleum based products, penetrating oils, etc., come in contact with plastic parts. They contain chemicals that can damage, weaken or destroy plastic.

Fertilizers and other garden chemicals contain agents which greatly accelerate the corrosion of metals Do not store the tool on or adjacent to fertilizers or chemicals.

TROUBLESHOOTING

Problem	Possible Cause	Possible Solution
- Unit does not run	- Battery not making contact - Battery not installed properly - Battery not charged	- Check battery is fully inserted - Check that battery is securely connected to the blower - Check battery charging requirements. See Charger / Battery Manuals
- Battery will not charge	- Battery not inserted into charger - Charger not plugged in - Surrounding air temperature too hot or too cold	- Insert battery into charger until red LED appears - Plug charger into a working outlet - Check current at receptacle by plugging in a lamp or other appliance - Check to see if receptacle is connected to a light switch which turns power off when you turn out the lights - Move charger and tool to a surrounding air temperature of above 39 degree F (4 degree C) or below 104 degree F (40 degree C)

CALL US FIRST !!

Call us first with questions about operating or maintaining your cordless blower at 1.800.633-1501 between 8:00 a.m. – 5:00 p.m. Eastern Standard Time, or get assistance on americanlawnmower.com.

CHARGING THE BATTERY PACK

Charge the battery pack only with Yardworks 20V Chargers.

Allow at least 80 minutes of charge time before initial use of the blower.

Make sure the power supply is normal household voltage, 120volts, 60Hz, AC only.

The battery charger should be operated in temperatures between 39 and 104 degrees F

The battery should be charged in a cool, dry place.

2 to 3 initial charging/discharging cycles may be required to achieve maximum run time/capacity.

DO NOT attempt to open the charger or the unit. There are no customer serviceable parts inside. Call customer service helpline at 1-800-633-1501 for assistance.

DO NOT incinerate battery packs even if they are severely damaged or completely worn out. They can explode in a fire causing injury.

DO NOT charge appliance in rain, or in wet locations.

Use the battery charger indoors only.

Disconnect charger from the power supply when not in use to prevent damage to the charger during a power surge.

When fully charged, the battery can be safely stored in temperatures down to -4 degrees F for a period of up to four weeks, before requiring charging. Fully charge battery pack every 90 days.

If over a period of time the battery pack quickly runs down after a full 80 minute charging period, a replacement battery pack is needed.

To prevent permanent damage to the battery, never store in a discharged condition.

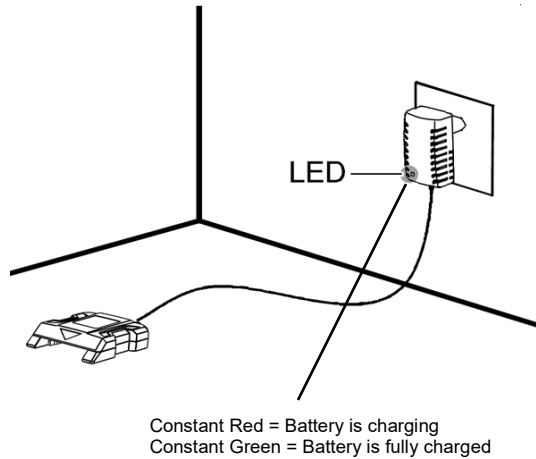
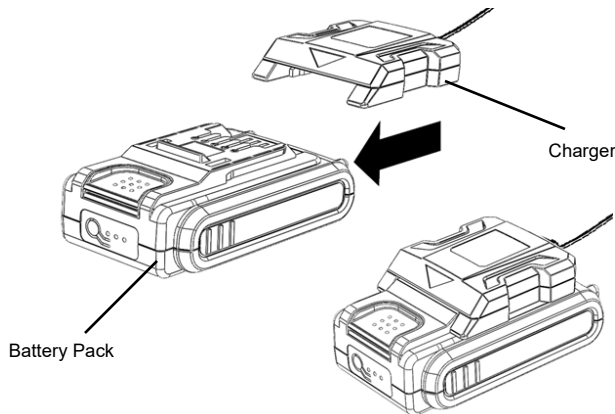
WINTER STORAGE - Fully recharge before storage and then again every 90 days.

Since the battery will not develop a memory, it does not have to be fully discharged before recharging.

A small leakage of liquid from the battery cells may occur under extreme usage, charging or temperature conditions. This does not indicate a failure. However, if the outer seal is broken and this leakage gets on your skin.

- a. Wash quickly with soap and water.
- b. Neutralize with a mild acid such as lemon juice or vinegar.
- c. If the battery liquid gets in your eyes, flush them with clean water for a minimum of 10 minutes and seek immediate medical attention.

TO CHARGE - SEE CHARGER MANUAL FOR COMPLETE INSTRUCTIONS



BATTERY DISPOSAL

Remove the battery pack from the Cordless Blower, cover the terminals with heavy duty adhesive tape. Do not attempt to destroy or disassemble battery pack or remove any components. This product contains lithium-ion batteries which must be recycled or disposed of properly. Local, state or federal laws may prohibit disposal of these batteries in the municipal solid waste or rural trash pick up systems.



The RBRC seal on the Li-Ion battery pack indicates that the cost to recycle the battery pack at the end of its useful life has already been paid by The Great States Corporation/American Lawn Mower Company. It is illegal to place spent Li-Ion batteries in the local municipal solid waste or in the trash. RBRC in cooperation with The Great States Corporation/American Lawn Mower Company has provided an environmentally friendly and easy way to recycle spent Li-Ion batteries. Just contact your local recycling center or call 1.800.8.BATTERY for information on where to drop off the spent battery.

PARTS AND SERVICE

For parts or service, please call 1-800-633-1501 or visit us online at AMERICANLAWNMOWER.COM. Be sure to provide all relevant information when you call or visit.

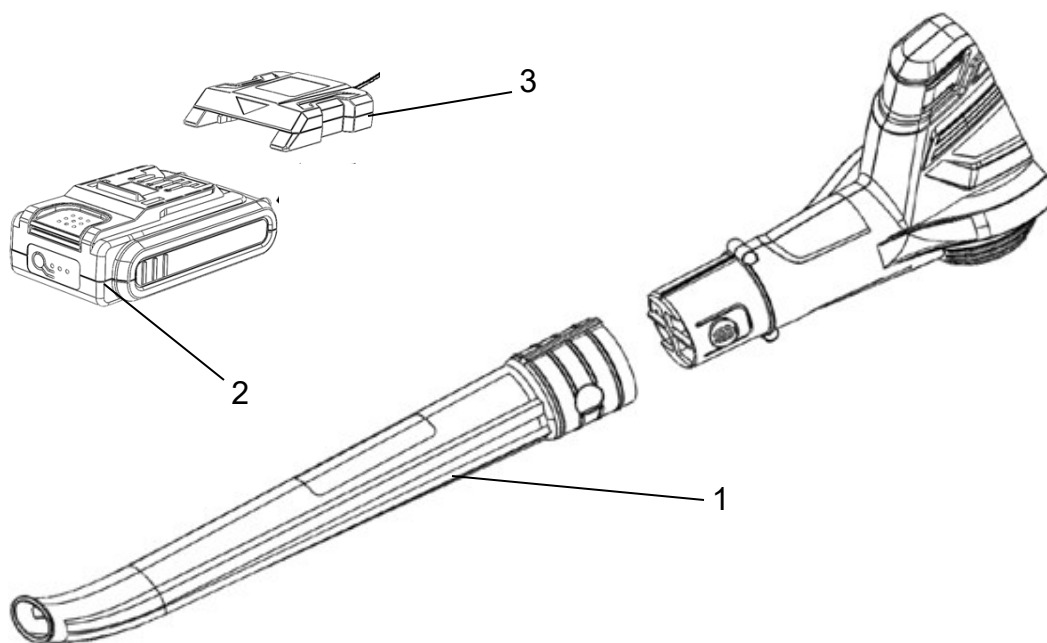
REPAIR PARTS (KITS/ ITEMS)

The serial/model number of this tool is found on a plate or label attached to the housing. Please record the serial number in the space provided below.

MODEL NUMBER **LB23020-1**

SERIAL NUMBER _____

Always mention the model number when ordering kits/items for this tool.



No.	Kit/Item Number	Description	QTY
1	LB20-BTK-2	Blower tube kit	1
2	BL82120-1	20V battery	1
3	CHL82000-1	20V charger	1

CALL US FIRST !!

Call us first with questions about operating or maintaining your cordless blower at 1.800.633.1501 between 8:00 a.m. – 5:00 p.m. Eastern Standard Time, or get assistance on americanlawnmower.com



OWNER'S MANUAL

20V Lithium-ion Blower

With (1) 20V 2.0Ah Lithium-ion Battery

Copyright. All Rights Reserved.

Model LB23020-1

YARDWORKS WARRANTY POLICY

- **2 Year limited warranty** on all Yardworks 20V lithium ion power tools from date of purchase when used for personal, household, or family use.
- **2 Year limited warranty** on all Yardworks 20V lithium ion batteries and chargers from date of purchase when used for personal, household, or family use.

The Great States Corp. (GSC) warrants to the original owner that this Yardworks product and service part is free from defects in materials and workmanship and agrees to repair or replace any defective product or part for the warranty period as stated above.

- Warranty voided if used for commercial or industrial purposes or any other improper use as determined by GSC.
- Warranty does not include repairs necessary due to operator's abuse or negligence (including overloading the product beyond capacity or immersion in water), or the failure to assemble, operate, maintain or store the product according to the instructions in the owner's manual.
- This warranty does not cover
 - ◇ Wear items, including but not limited to - drive belts & gears, tines, cutting blades, mower blades, saw chains, mulching blades, blower fans, spool covers, trimmer line, blower and vacuum tubes, guide bars, high pressure hoses, wheels, handles, augers, worn bags, power cables, and other items subject to wear over time.
 - ◇ Wear on batteries, including but not limited to - drops, wear and breakage on charger, exposure to extreme temperature swings (hot or cold), battery left on charger too long, battery left uncharged for too long, and misuse or abuse of the battery.
- This warranty does not cover damage caused by cold, heat, rain, excessive humidity or other environmental extremes.
- This warranty does not cover normal deterioration of the exterior finish or normal wear and tear on the products including, but not limited to scratches, cracks, dents, or damage caused by outside chemicals.
- This warranty is not transferable and only applies to new products sold directly from an authorized retailer. This warranty does not apply to any product, new or used, purchased through unauthorized third-party channels. For information on authorized dealers, contact our customer support hotline at 1-800-633-1501 (Mon-Fri 8am-5pm Est)
- Any incidental, indirect or consequential loss, damage, or expense that may result from any defect or malfunction of the products is not covered by the warranty.
- The warranty does not include installation, assembly or normal adjustments explained in the owner's manual. The expense of delivering the product to the vendor and the expense of returning the product or replacement parts to the owner is not covered by the warranty.

Additional Warranty Limitations

Some states do not allow the exclusion or limitation on how long an implied warranty lasts, so the above limitation may not apply to you. Products sold damaged or incomplete, sold —as is, or sold as reconditioned are not covered under the warranty.

Damage or liability caused by shipping, improper handling, improper assembly, incorrect voltage, improper wiring, improper maintenance, improper modification or the use of accessories and/or attachments not specifically recommended is not covered by this warranty.

Proof of purchase, original dated sales receipt, must accompany all warranty claims.

For claims go to americanlawnmower.com or call our customer support hotline from 8am-5pm EST,

Mon-Fri at 1-800-633-1501



American Lawn Mower Company
The Great States Corporation
7444 Shadeland Station Way
Indianapolis, IN 46256 USA
Phone 1-800-633-1501
americanlawnmower.com