



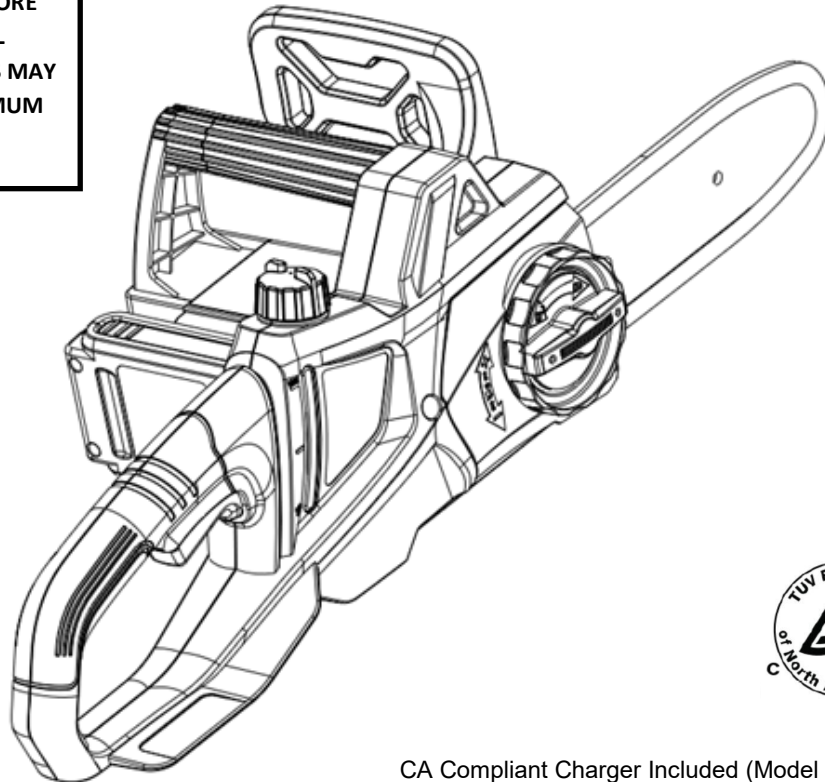
## OWNER'S MANUAL

### CORDLESS 20 VOLT CHAIN SAW/LITHIUM-ION BATTERY PACK

Copyright. All Rights Reserved.

#### Model LCS31020S

BATTERY MUST BE CHARGED BEFORE FIRST USE. TWO TO THREE INITIAL CHARGING/DISCHARGING CYCLES MAY BE REQUIRED TO ACHIEVE MAXIMUM RUN TIME/CAPACITY.



CA Compliant Charger Included (Model No. CHL82000)

Your chain saw has been engineered and manufactured to our high standard for dependability, ease of operation, and operator safety. Properly cared for, it will give you years of rugged, trouble-free performance.



**WARNING:** To reduce the risk of injury, the user must read and understand the owner's manual before using this product.

**ADD OIL TO OIL RESERVOIR BEFORE FIRST USE.**

Thank you for your purchase.

**DO NOT RETURN THIS PRODUCT TO THE STORE. OPERATING, ASSEMBLY, PART, SERVICE QUESTIONS? GO TO [SCOTTS.AMERICANLAWNMOWER.COM](http://SCOTTS.AMERICANLAWNMOWER.COM) OR CALL 1-800-618-7474 BETWEEN 8:00AM-5:00PM EST FOR ASSISTANCE.**

---

**SAVE THIS MANUAL FOR FUTURE REFERENCE**

---

## ⚠ IMPORTANT SAFETY WARNINGS ⚠

### TO REDUCE RISK OF INJURY:

Before any use, be sure everyone using this tool reads and understands all safety instructions and other information contained in this manual.

- ⚠ **CAUTION:** Wear appropriate personal hearing protection during use. Under some conditions and duration of use, noise from this product may contribute to hearing loss.

Save these instructions and review frequently prior to use and in instructing others.

- ⚠ **WARNING:** When using electric gardening appliances, basic safety precautions should always be followed to reduce risk of fire, electric shock, and personal injury, including the following:

### READ ALL INSTRUCTIONS

## GENERAL POWER TOOL SAFETY WARNINGS

- ⚠ **WARNING:** Read all safety warnings and instructions. Failure to follow the warnings and instructions may result in electric shock, fire and/or serious injury.
- Save all warnings and instructions for future reference.** The term “power tool” in the warnings refers to your mains-operated (corded) power tool or battery-operated (cordless) power tool.

### Work area safety

- **Keep work area clean and well lit.** Cluttered or dark areas invite accidents.
- **Do not operate power tools in explosive atmospheres, such as in the presence of flammable liquids, gases or dust.** Power tools create sparks which may ignite the dust or fumes.
- **Keep children and bystanders away while operating a power tool.** Distractions can cause you to lose control.

### Electrical safety

- **Power tool plugs must match the outlet. Never modify the plug in any way. Do not use any adapter plugs with earthed (grounded) power tools.** Unmodified plugs and matching outlets will reduce risk of electric shock.
- **Avoid body contact with earthed or grounded surfaces such as pipes, radiators, ranges and refrigerators.** There is an increased risk of electric shock if your body is earthed or grounded.
- **Do not expose power tools to rain or wet conditions.** Water entering a power tool will increase the risk of electric shock.
- **Do not abuse the cord. Never use the cord for carrying, pulling or unplugging the power tool. Keep cord away from heat, oil, sharp edges or moving parts.** Damaged or entangled cords increase the risk of electric shock.
- **When operating a power tool outdoors, use an extension cord suitable for outdoor use.** Use of a cord suitable for outdoor use reduces the risk of electric shock.
- **If operating a power tool in a damp location is unavoidable, use a ground fault circuit interrupter (GFCI) protected supply.** Use of a GFCI reduces the risk of electric shock.

### Personal safety

- **Stay alert, watch what you are doing and use common sense when operating a power tool. Do not use a power tool while you are tired or under the influence of drugs, alcohol or medication.** A moment of inattention while operating power tools may result in serious personal injury.
- **Use personal protective equipment. Always wear eye protection.** Protective equipment such as dust mask, non-skid safety shoes, hard hat, or hearing protection used for appropriate conditions will reduce personal injuries.
- **Prevent unintentional starting. Ensure the switch is in the off-position before connecting to power source and/or battery pack, picking up or carrying the tool.** Carrying power tools with your finger on the switch or energising power tools that have the switch on invites accidents.

- **Remove any adjusting key or wrench before turning the power tool on.** A wrench or a key left attached to a rotating part of the power tool may result in personal injury.
- **Do not overreach. Keep proper footing and balance at all times.** This enables better control of the power tool in unexpected situations.
- **Dress properly. Do not wear loose clothing or jewellery. Keep your hair, clothing and gloves away from moving parts.** Loose clothes, jewellery or long hair can be caught in moving parts.
- **If devices are provided for the connection of dust extraction and collection facilities, ensure these are connected and properly used.** Use of dust collection can reduce dust-related hazards.

### Power tool use and care

- **Do not force the power tool. Use the correct power tool for your application.** The correct power tool will do the job better and safer at the rate for which it was designed.
- **Do not use the power tool if the switch does not turn it on and off.** Any power tool that cannot be controlled with the switch is dangerous and must be repaired.
- **Disconnect the plug from the power source and/or the battery pack from the power tool before making any adjustments, changing accessories, or storing power tools.** Such preventive safety measures reduce the risk of starting the power tool accidentally.
- **Store idle power tools out of the reach of children and do not allow persons unfamiliar with the power tool or these instructions to operate the power tool.** Power tools are dangerous in the hands of untrained users.
- **Maintain power tools. Check for misalignment or binding of moving parts, breakage of parts and any other condition that may affect the power tool's operation. If damaged, have the power tool repaired before use.** Many accidents are caused by poorly maintained power tools.
- **Keep cutting tools sharp and clean.** Properly maintained cutting tools with sharp cutting edges are less likely to bind and are easier to control.
- **Use the power tool, accessories and tool bits etc. in accordance with these instructions, taking into account the working conditions and the work to be performed.** Use of the power tool for operations different from those intended could result in a hazardous situation.

### Battery tool use and care

- **Recharge only with the charger specified by the manufacturer.** A charger that is suitable for one type of battery pack may create a risk of fire when used with another battery pack.
- **Use power tools only with specifically designated battery packs.** Use of any other battery packs may create a risk of injury and fire.

## GENERAL POWER TOOL SAFETY WARNINGS

- **When battery pack is not in use, keep it away from other metal objects, like paper clips, coins, keys, nails, screws or other small metal objects, that can make a connection from one terminal to another.** Shorting the battery terminals together may cause burns or a fire.
- **Under abusive conditions, liquid may be ejected from the battery; avoid contact. If contact accidentally occurs, flush with water. If liquid contacts eyes, additionally seek medical help.** Liquid ejected from the battery may cause irritation or burns.

### Service

- **Have your power tool serviced by a qualified repair person using only identical replacement parts.** This will ensure that the safety of the power tool is maintained.
- **When servicing a power tool, use only identical replacement parts. Follow instructions in the Maintenance section of this manual.** Use of unauthorized parts or failure to follow Maintenance instructions may create a risk of shock or injury.

---

## CHAIN SAW SAFETY WARNINGS

- **Keep all parts of the body away from the saw chain when the chain saw is operating. Before you start the chain saw, make sure the saw chain is not contacting anything.** A moment of inattention while operating chain saws may cause entanglement of your clothing or body with the saw chain.
- **Always hold the chain saw with your right hand on the rear handle and your left hand on the front handle.** Holding the chain saw with a reversed hand configuration increases the risk of personal injury and should never be done.
- **Hold the power tool by insulated gripping surfaces only, because the saw chain may contact hidden wiring.** Saw chains contacting a live wire may make exposed metal parts of the power tool live and could give the operator an electric shock.
- **Wear safety glasses and hearing protection. Further protective equipment for head, hands, legs and feet is recommended.** Adequate protective clothing will reduce personal injury by flying debris or accidental contact with the saw chain.
- **Do not operate a chain saw in a tree.** Operation of a chain saw while up in a tree may result in personal injury.
- **Always keep proper footing and operate the chain saw only when standing on fixed, secure and level surface.** Slippery or unstable surfaces such as ladders may cause a loss of balance or control of the chain saw.
- **When cutting a limb that is under tension be alert for spring back.** When the tension in the wood fibers is released the spring loaded limb may strike the operator and/or throw the chain saw out of control.
- **Use extreme caution when cutting brush and saplings.** The slender material may catch the saw chain and be whipped toward you or pull you off balance.
- **Carry the chain saw by the front handle with the chain saw switched off and away from your body. When transporting or storing the chain saw always use the guide bar cover.** Proper handling of the chain saw will reduce the likelihood of accidental contact with the moving saw chain.
- **Follow instructions for lubricating, chain tensioning and changing accessories.** Improperly tensioned or lubricated chain may either break or increase the chance for kickback.

- **Keep handles dry, clean, and free from oil and grease.** Greasy, oily handles are slippery causing loss of control.
- **Cut wood only. Do not use chain saw for purposes not intended. For example: do not use chain saw for cutting plastic, masonry or non-wood building materials.** Use of the chain saw for operations different than intended could result in a hazardous situation.

### Causes and operator prevention of kickback:

Kickback may occur when the nose or tip of the guide bar touches an object, or when the wood closes in and pinches the saw chain in the cut.

Tip contact in some cases may cause a sudden reverse reaction, kicking the guide bar up and back towards the operator.

Pinching the saw chain along the top of the guide bar may push the guide bar rapidly back towards the operator.


Either of these reactions may cause you to lose control of the saw which could result in serious personal injury. Do not rely exclusively upon the safety devices built into your saw. As a chain saw user, you should take several steps to keep your cutting jobs free from accident or injury.


Kickback is the result of tool misuse and/or incorrect operating procedures or conditions and can be avoided by taking proper precautions as given below:

- **Maintain a firm grip, with thumbs and fingers encircling the chain saw handles, with both hands on the saw and position your body and arm to allow you to resist kickback forces.** Kickback forces can be controlled by the operator, if proper precautions are taken. Do not let go of the chain saw.
- **Do not overreach and do not cut above shoulder height.** This helps prevent unintended tip contact and enables better control of the chain saw in unexpected situations.
- **Only use replacement bars and chains specified by the manufacturer.** Incorrect replacement bars and chains may cause chain breakage and/or kickback.
- **Follow the manufacturer's sharpening and maintenance instructions for the saw chain.** Decreasing the depth gauge height can lead to increased kickback.

---

 **CAUTION:** Use only the following type and size battery(ies): BL82120.

 **WARNING: California Proposition 65:** This product contains chemicals known to the State of California to cause cancer, birth defect or other reproductive harm.


 **WARNING:** Some dust and debris created by the use of this tool could contain chemicals known to the State of California to cause cancer and birth defects or other reproductive harm. Some examples of these chemicals are:

\* Chemicals in fertilizers

\* Compounds in insecticides, herbicides and pesticides

\* Arsenic and chromium from chemically treated lumber

Your risk from exposure to these chemicals varies, depending on how often you do this type of work. To reduce your exposure, work in a well-ventilated area and with approved safety equipment, such as dust masks that are specially designed to filter out microscopic particles.

 **WARNING:** Cancer and Reproductive Harm - [www.P65Warnings.ca.gov](http://www.P65Warnings.ca.gov).

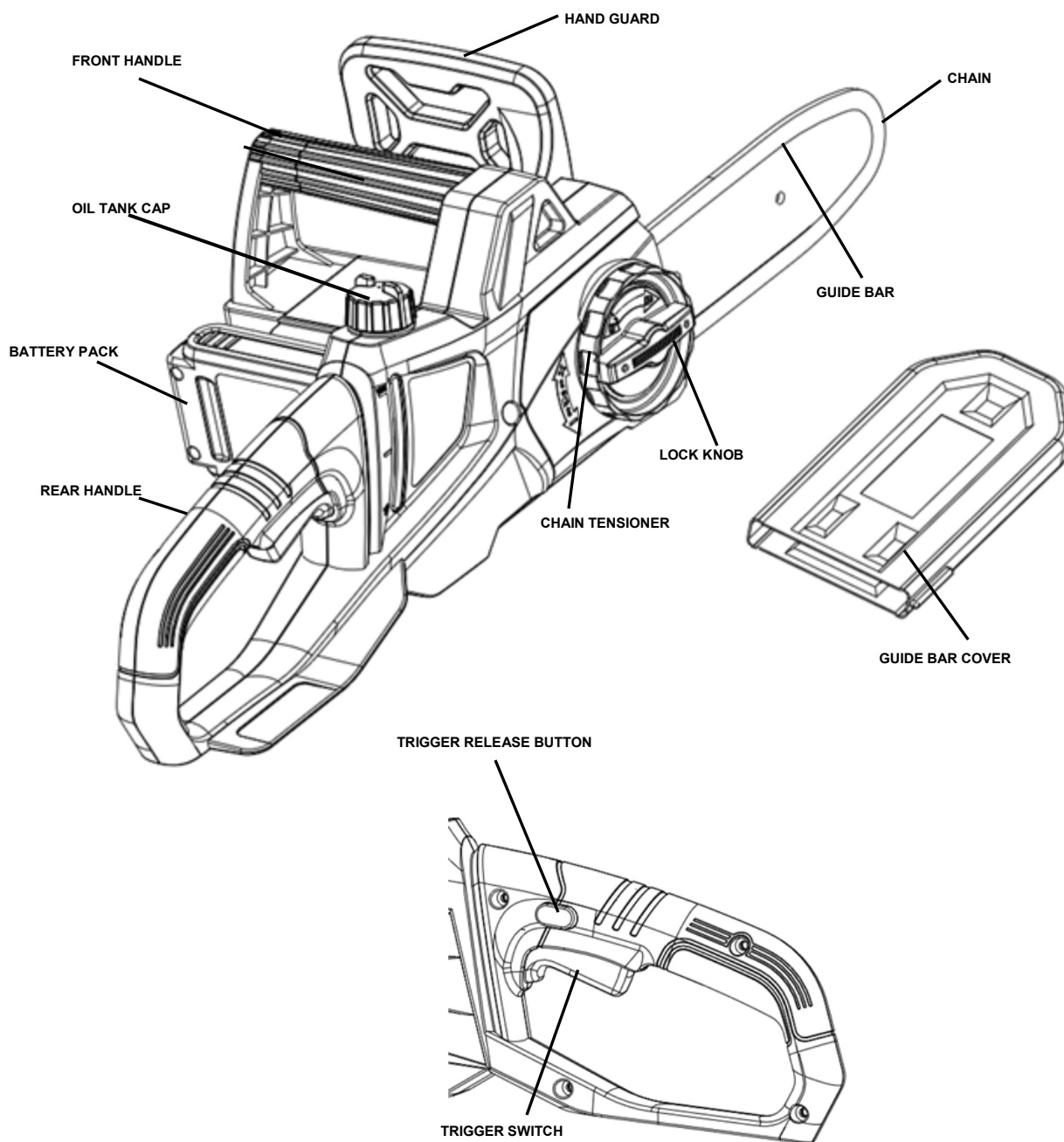
# FEATURES

## PRODUCT SPECIFICATIONS

### LCS31020S

Input.....20 V / 2.0 Ah, DC Only  
Bar Length.....10" Bar (M1501040-1041TL)  
Chain.....CL15040  
Weight..... 6.1 lbs.

- Automatic oiling pump system—Protective bar cover -



## ASSEMBLY

### UNPACKING

This product requires no assembly.

Carefully remove the product and any accessories from the box. Make sure that all items listed in the packing list are included.

Inspect the product carefully to make sure no breakage or damage occurred during shipping.

Do not discard the packing material until you have carefully inspected and satisfactorily operated the product.

**⚠ WARNING:** If any parts are damaged or missing, do not operate this product until the parts are replaced. Failure to heed this warning could result in serious personal injury.

If any parts are damaged or missing, please call 1-800-618-7474 for assistance.

### PACKING LIST

- Chain Saw with Blade Cover
- Charger and Battery Pack
- Owner's Manual

## INSTALLING/REPLACING THE GUIDE BAR AND CHAIN

**⚠ DANGER:** Never start the motor before installing the guide bar, chain, chain cover and chain cover lock knob. Without all these parts in place, the clutch can fly off or explode, exposing the user to possible serious injury.

**⚠ WARNING:** To avoid serious personal injury, read and understand all the safety instructions provided.

**⚠ WARNING:** Before performing any maintenance, remove the battery pack from the saw. Failure to heed this warning could result in serious personal injury.

**⚠ CAUTION:** Always wear gloves when handling the bar and chain; these components are sharp and may contain burrs.

**⚠ WARNING:** Never touch or adjust the chain while the motor is running. The saw chain is very sharp; always wear protective gloves when performing maintenance to the chain to avoid possible serious lacerations.

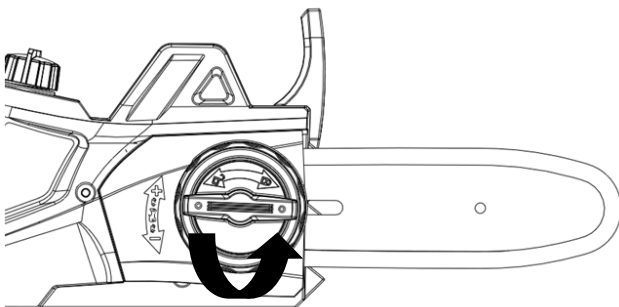
**NOTE:** When replacing the guide bar and chain, use only identical replacement parts.

- Remove the battery from saw.
- Loosen the chain saw lock knob counterclockwise.

- Remove the chain cover.

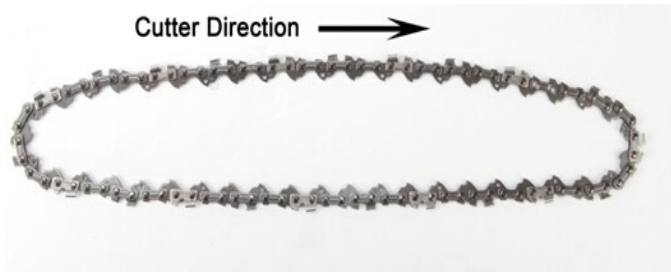


- Remove the bar and chain from the mounting surface.

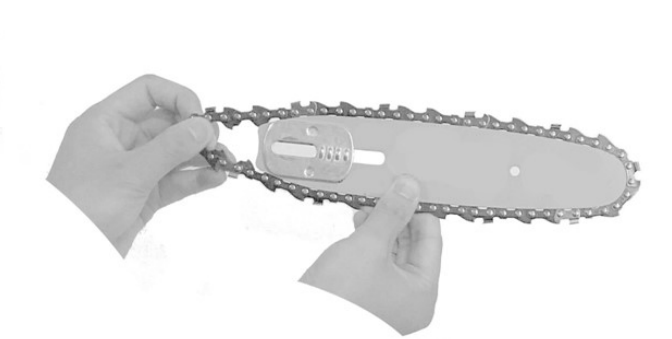


## INSTALLING/REPLACING THE GUIDE BAR AND CHAIN

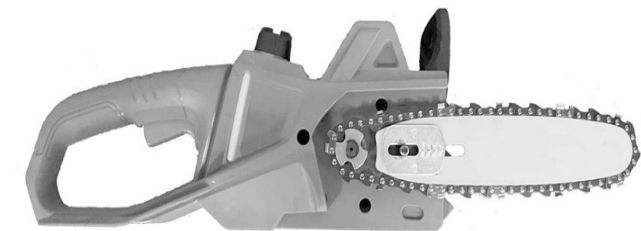
- Remove the old chain from the bar.
- Lay out the new saw chain in a loop and straighten any links. The cutters should face in the direction of the chain rotation. If they face backwards, turn the loop over.



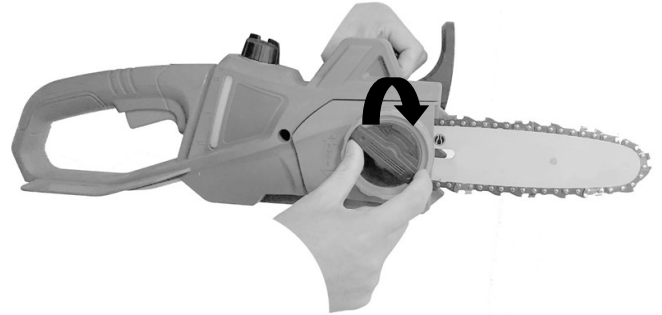
- Place the chain drive links into the bar groove.  
**NOTE:** Make certain of the direction of the chain.



- Position the chain so there is a loop at the back of the bar.
- Hold the chain in position on the bar and place the loop around the sprocket.
- Fit the bar flush against the mounting surface so that the bar studs are in the long slot of the bar.  
**NOTE:** When placing the bar on the bar studs, ensure that the adjusting pin is in the chain tension pin hole.

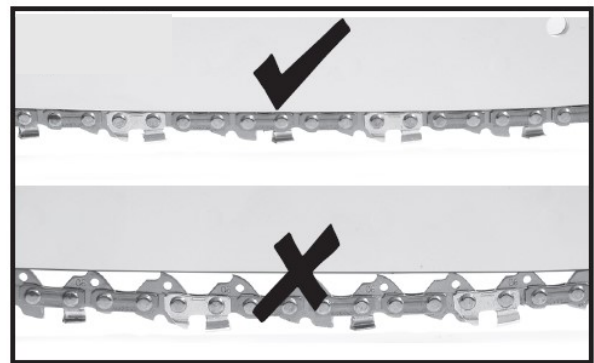


- Replace the chain cover and secure with the lock knob, but leave the bar free to move for tension adjustment.
- Remove all slack from the chain by turning the chain tensioner clockwise until the chain seats snugly against the bar with the drive links in the bar groove.



- Tighten the knob.

The chain is correctly tensioned when there is no sag on the underside of the guide bar, the chain is snug, but it can be turned by hand without binding.



**NOTE:** If chain is too tight, it will not rotate. Loosen the knob slightly and turn the chain tensioner 1/4 turn counterclockwise. Lift the tip of the guide bar up and retighten the knob. Ensure that the chain will rotate without binding.

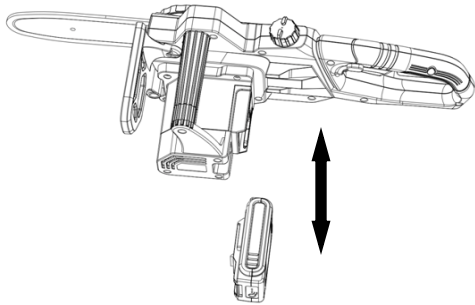
**NOTE:** A new chain tends to stretch, check chain tension frequently and tension as required.

# OPERATING

## TO INSTALL / REMOVE BATTERY PACK

**WARNING:** Always remove the battery pack from the product when you are assembling parts, making adjustments, cleaning, or when not in use. Removing the battery pack will prevent accidental starting that could cause serious personal injury.

Slide the battery pack into the chain saw. Ensure the battery is securely connected. To remove the battery, depress the release button and slide battery pack out of tool.



## THE TOOL ON

Push the trigger release button in with your thumb and then squeeze the trigger with your fingers. (Once the tool is running, you can release the trigger release button). To turn the tool OFF, release the trigger.

## TO TURN

**WARNING:** To guard against injury, observe the following:  
Read owner's manual before using,  
Save owner's manual.  
Keep hands away from chain.  
Keep hands on handles. Don't overreach.

A good, firm grip on the saw with both hands will help you maintain control. Don't let go. Grip the rear handle with your right hand whether you are right or left handed. Wrap the fingers of your left hand over and around the front handlebar, and your left thumb under the front handlebar.

Make sure you follow the instructions in maintenance for putting oil in the chain saw.

**CAUTION:** Chain oil reservoir must be filled before operation. Failure to lubricate the chain will cause damage to the bar and chain. Use only a good quality bar and chain oil or, if not available, unused SAE 30 weight motor oil may be substituted. One minute of use will consume approx 0.1 fl. Oz. (3ml) of oil.

**NOTE:** It is normal for oil to seep from the saw when not in use. To prevent seepage, empty the oil tank after each use. When storing the unit for a long period of time (3 months or longer) be sure the chain is lightly lubricated; this will prevent rust on the chain and bar sprocket.

**WARNING:** Do Not use the chain saw with any type of accessory or attachment. Such usage might be hazardous.

## CUTTING INSTRUCTIONS

**WARNING:** Do not operate chain saw in a tree, on a ladder, or on a scaffold; this is extremely dangerous.

**CAUTION:** Chain coasts after turned off.  
Do not use under wet conditions.

Use extreme caution when cutting small size brush, saplings or limbs under tension, because slender and tense material may catch the saw and be whipped toward you, pull you off balance or spring back.

Do not cut vines and/or small underbrush.

**WARNING:** Do not allow familiarity with this type of tool to make you careless. Remember that a careless fraction of a second is sufficient to inflict serious injury.

Before you start the unit, make sure the chain saw is not contacting any object.

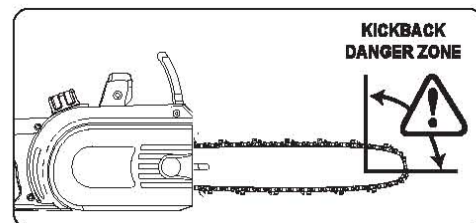
**WARNING:** Kickback may occur when the moving chain contacts an object at the upper portion of the tip of the guide bar or when the wood closes in and pinches the chain saw in the cut. Contact at the upper portion of the tip of the guide bar can cause the chain to dig into the object and stop the chain for an instant. The result is a lightning fast, reverse reaction which kicks the guide bar up and back toward the operator. If the chain saw is pinched along the top of the guide bar, the guide bar can be driven rapidly back toward the operator. Either of these reactions can cause loss of saw control which can result in serious injury. Do not rely exclusively upon the safety devices built into the saw. As a chain saw user, you should take several steps to keep your cutting jobs free from accident or injury.

### The following precautions should be followed to minimize kickback:

1. Always grip the saw firmly with both hands. Hold the saw firmly with both hands when the unit is running. Place your right hand on the rear handle and your left hand on the front handle with your thumbs and fingers encircling the chain saw handles. A firm grip together with a stiff left arm will help you maintain control of the saw if kickback occurs.
2. Make sure that the area in which you are cutting is free from obstructions. Do not let the nose of the guide bar contact a log, branch, fence or any other obstruction that could be hit while you are operating the saw.
3. Always cut with the unit running at full speed. Fully squeeze the throttle trigger and maintain a steady cutting speed.

Push and Pull – This reaction force is always opposite to the direction the chain is moving where wood contact is made. Thus, the operator must be ready to control the PULL when cutting on the bottom edge of the bar, and PUSH when cutting along the top edge.

Wear non-slip gloves for maximum grip and protection.



# OPERATING

## Proper Cutting Stance

Weight should be balanced with both feet on solid ground.

Keep left arm with elbow locked in a "straight arm" position to withstand any kickback force.

Your body should always be to the left of the chain line.

## Basic Cutting Procedure

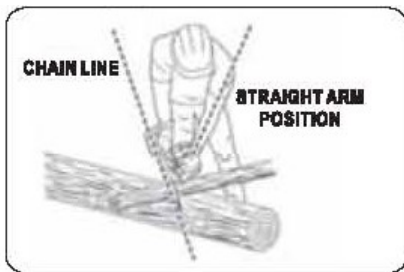
Small trees up to 6-7 inches in diameter are usually cut in a single cut. Large trees require notch cuts. Notch cuts determine the direction the tree will fall.

**WARNING:** If the tree starts to fall in the wrong direction, or if the saw gets caught or hung up during the fall, leave the saw and save yourself.

**WARNING:** Periodically glance at the top of the tree during the back-cut to assure the tree is going to fall in the desired direction.

Practice cutting a few small logs using the following technique to get the "feel" of using the saw before you begin a major sawing operation.

Take the proper stance in front of the wood with the saw off.



Squeeze the trigger and let the chain accelerate to full speed before entering the cut.

Hold the saw firmly with both hands. Always keep your left hand on the front handle and your right hand on the rear handle so that your body is to the left of the chain line.

Keep the unit running the entire time you are cutting, maintain a steady speed.

Allow the chain to cut for you; exert only light downward pressure. If you force the cut, damage to the bar, chain, or unit can result.

Do not put pressure on the saw at the end of the cut.

When felling a tree, keep everyone a safe distance from the cutting area. During felling operations, the safe distance should be at least twice the height of the largest trees in the felling area. If the tree makes contact with any utility line, the utility company should be notified immediately.

Always cut with both feet on solid ground to prevent being pulled off balance.

Do not cut above chest height, as a saw held higher is difficult to control against kickback forces.

**WARNING:** Check the tree for damaged or dead branches that could fall and hit you during felling.

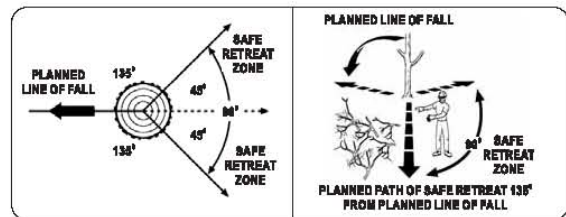
**WARNING:** Do not cut trees near electrical wires or buildings.

## FELLING A TREE

When bucking and felling operations are being performed by two or more persons, at the same time, the felling operation should be separated from the bucking operation by a distance of at least twice the height of the tree being felled. Trees should not be felled in a manner that would endanger any person, strike any utility line or cause any property damage. If the tree does make contact with any utility line, the utility company should be notified immediately.

**WARNING:** Check the tree for damaged or dead branches that could fall and hit you during felling.

Before any cuts are started, pick your escape route (or routes in case the intended route is blocked); clear the immediate area around the tree and make sure there are no obstructions in your planned path of retreat. A clear path of safe retreat is approximately 135 degrees from planned line of fall. The retreat path should extend back and diagonally to the rear of the expected line of fall.



Before felling is started, consider the force and direction of the wind, the lean and balance of the tree, and the location of large limbs. These things influence the direction in which the tree will fall. Do not try to fell a tree along a line different from its natural line of fall.

The chain saw operator should keep on the uphill side of the terrain as the tree is likely to roll or slide downhill after it is felled. Remove dirt, stones, loose bark, nails, staples, and wire from the tree where felling cuts are to be made.

**NOTCHED UNDERCUT** – Cut a notch about 1/3 diameter of the tree, perpendicular to the direction of the fall. Make the cuts of the notch so they intersect at a right angle to the line of fall. This notch should be cleaned out to leave a straight line. To keep the weight of the wood off the saw, always make the lower cut of the notch before the upper cut.

**WARNING:** Do not fell trees during periods of high wind or heavy precipitation. Wait to do your cutting until the hazard has ended.

**WARNING:** Do not cut down trees having an extreme lean or large trees that have rotten limbs, loose bark, or hollow trunks. Have these trees pushed or dragged down with heavy equipment, then cut them up.

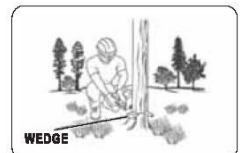
## FELLING BACK-CUT

The back-cut is always made level and horizontal, and at a minimum of 2 inches (5cm) above the horizontal cut of the notch.

Never cut through to the notch. Always leave a band of wood between the notch and back-cut (approximately 2 inches (5cm) or 1/10 the diameter of the tree). This is called "hinge" or "hinge wood." It controls the fall of the tree and prevents slipping or twisting or shoot-back of the tree off the stump.

On large diameter trees, stop the back cut before it is deep enough for the tree to either fall or settle back on the stump.

Then insert soft wooden or plastic wedges into the cut so they do not touch the chain. The wedges can be driven in, little by little, to help jack the tree over.

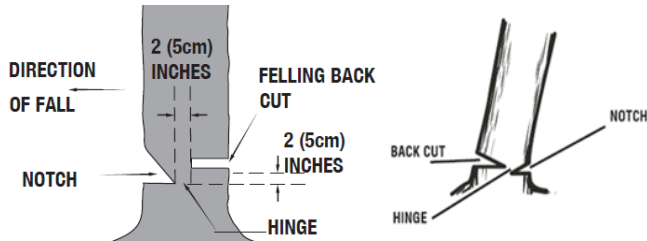




# OPERATING

As the tree starts to fall, stop the chain saw and put it down immediately. Retreat along the cleared path, but watch the action in case something falls your way. Be alert for overhead limbs or branches that may fall and watch your footing.

**WARNING:** Never cut through to the notch when making a back-cut. The hinge controls the fall of the tree, this is a section of wood between the notch and back-cut.



## BUCKING

Bucking is the term used for cutting a fallen tree to the desired log length.

Always make sure your footing is secure and your weight is distributed evenly on both feet.

Cut only one log at a time. Support small logs on a saw horse or another log while bucking.

Keep a clear cutting area. Make sure that no objects can contact the guide bar nose and chain during cutting, this can cause kickback.

When bucking on a slope, always stand on the uphill side of the log. To maintain complete control of the chain saw when cutting through the log, release the cutting pressure near the end of the cut without relaxing your grip on the chain saw handles. Do not let the chain contact the ground. After completing the cut, wait for the saw chain to stop before you move the chain saw. Always stop the motor before moving from tree to tree.

## BUCKING LOGS UNDER STRESS

When the log is supported along its entire length, it should be cut from the top or over-bucking.

When the log is supported on one end, cut 1/3 diameter from the underside or under-bucking. Then make the finishing cut by over-bucking to meet the first cut.

As the log is being cut, it will tend to bend. The saw can become pinched or hung in the log if you make the first cut deeper than 1/3 of the diameter of the log.

Give special attention to logs under stress to prevent the bar and chain from pinching.

**OVERBUCKING** – Begin on the top side of the log with the bottom of the saw against the log; exert light pressure downward. Note that the saw will tend to pull away from you.

**UNDER-BUCKING** – Begin on the under side of the log with the top of the saw against the log; exert light pressure upward. During under-bucking, the saw will tend to push back at you. Be prepared for this reaction and hold the saw firmly to maintain control.

## LIMBING

Limbing is removing branches from a fallen tree.

Work slowly, keeping both hands on the chain saw with a firm grip. Always make sure your footing is secure and your weight is distributed evenly on both feet.

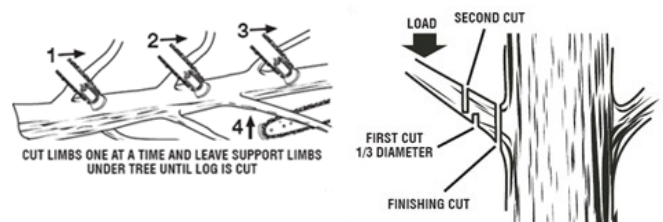
Leave the larger support limbs under the tree to keep the tree off the ground while cutting.

Limbs should be cut one at a time. Remove the cut limbs from the work area often to help keep the work area clean and safe.

Branches under tension should be cut from the bottom up to avoid binding the chain saw.

Keep the tree between you and the chain saw while limbing. Cut from the side of the tree opposite the branch you are cutting.

**WARNING:** Never climb into a tree to limb or prune. Do not stand on ladders, platforms, a log, or in any position which can cause you to lose your balance or control of the saw.



## PRUNING

Pruning is trimming limbs from a live tree.

Work slowly, keeping both hands on the chain saw with a firm grip. Always make sure your footing is secure and your weight is distributed evenly on both feet.

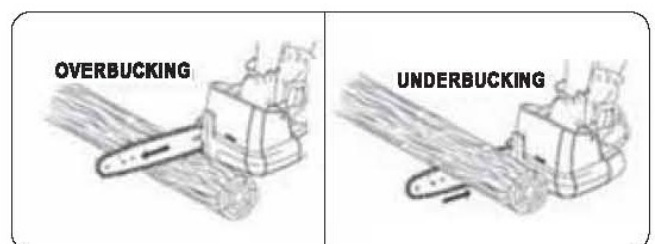
When pruning trees it is important not to make the finishing cut next to the main limb or trunk until you have cut off the limb further out to reduce the weight. This prevents stripping the bark from the main member.

Under-buck the branch 1/3 through for your first cut.

Your second cut should over-buck to drop the branch off. Now make your finishing cut smoothly and neatly against the main member so the bark will grow back to seal the wound.

## SPRINGPOLES

A springpole is any log, branch, rooted stump, or sapling which is bent under tension by other wood so that it springs back if the wood holding it is cut or removed. On a fallen tree, a rooted stump has a high potential of springing back to the upright position during the bucking cut to separate the log from the stump. Watch out for springpoles, they are dangerous. They could result in severe or fatal injury.



# CHAIN TENSION AND MAINTENANCE

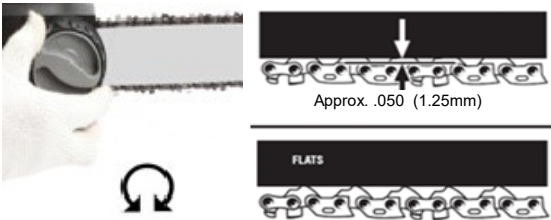
## CHAIN TENSION

Remove the battery before setting the chain tension. Make sure the guide bar screw is loosened to finger tight, turn the chain tensioner clockwise to tension the chain. A cold chain will be correctly tensioned when there is no slack on the underside of the guide bar, the chain is snug, but it can be turned by hand without binding.

Chain must be re-tensioned whenever the flats on the drive links hang out of the bar groove.

During normal saw operation, the temperature of the chain will increase. The drive links of a correctly tensioned warm chain will hang approximately .050 in. (1.25mm) out of the bar groove. Be aware that chain tensioned while warm, may be too tight upon cooling. Check the "cold tension" before next use.

**NOTE:** A new chain tends to stretch, check chain tension frequently and tension as required.



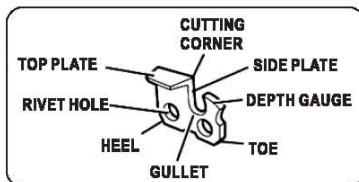
## CHAIN MAINTENANCE

**CAUTION:** Remove the battery pack and make sure the chain has stopped before you do any work on the saw.

For smooth and fast cutting, chain needs to be maintained properly. The chain requires sharpening when the wood chips are small and powdery, the chain must be forced through the wood during cutting, or the chain cuts to one side. During maintenance of your chain remember:

- Improper filing angle of the side plate can increase the risk of severe kickback.
- Raker (depth gauge) clearance.
  - Too low increases the potential for kickback.
  - Not low enough decreases cutting ability.
- If cutter teeth have hit hard objects such as nails and stones, or have been abraded by mud or sand on the wood, have service dealer sharpen chain.

**NOTE:** Inspect the drive sprocket for wear or damage when replacing the chain. If signs of wear or damage are present in the areas indicated, have the drive sprocket replaced. Call our customer service help line at 1-800-618-7474 for assistance.



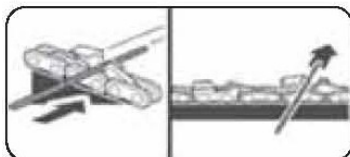
## HOW TO SHARPEN THE CUTTERS

Be careful to file all cutters to the specified angles and to the same length, as fast cutting can be obtained only when all cutters are uniform.

Wear gloves for protection. Properly tension the chain prior to sharpening. Refer to "Chain Tension Section" earlier in this manual. Do all of your filing at the midpoint of the bar.

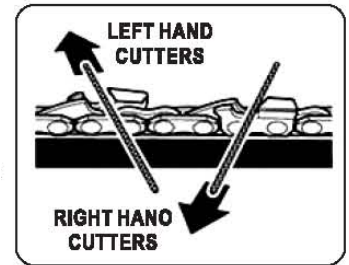
Use a 5/32 in. diameter round file and holder.

Keep the file level with the top plate of the tooth. Do not let the file dip or rock. Using light but firm pressure, stroke towards the front corner of the tooth.



Lift file away from the steel on each return stroke.

Put a few firm strokes on every tooth. File all left hand cutters in one direction. Then move to the other side and file the right hand cutters in the opposite direction. Occasionally remove filing from the file with a wire brush.



**WARNING:** Improper chain sharpening increases the potential of kickback.

**WARNING:** Failure to replace or repair damaged chain can cause serious injury.

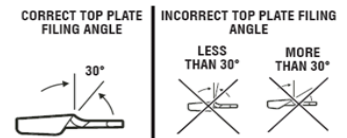
**WARNING:** The saw chain is very sharp, always wear protective gloves when performing maintenance to the chain.

## TOP PLATE FILING ANGLE

Correct 30 degrees – File holders are marked with guide marks to align file properly to produce top plate angle.

Less than 30 degrees – for cross cutting.

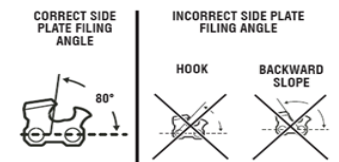
More than 30 degrees – feathered edge dulls quickly.



## SIDE PLATE ANGLE

Correct – 80 degrees produced automatically if correct diameter file is used in file holder.

Hook – "Grabs" and dulls quickly. Increases potential of kickback. Results from using a file with a diameter too small, or file held too low.



Backward Slope – Needs too much feed pressure, causes excessive wear to bar and chain. Results from using a file with a diameter too large, or file held too high.

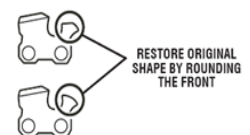
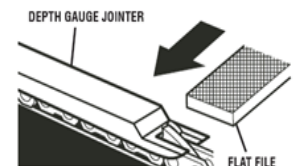
## DEPTH GAUGE CLEARANCE

The depth gauge should be maintained at a clearance of .025 in. (0.6 mm). Use a depth gauge tool for checking the depth gauge clearances.



Every time the chain is filed, check the depth gauge clearance

Use a flat file and a depth gauge jointer to lower all gauges uniformly. Depth gauge jointers are available in .020 in. to .035 in. (0.5 mm to 0.9 mm). Use a .025 in. (0.6 mm) depth gauge jointer. After lowering each depth gauge, restore original shape by rounding the front. Be careful not to damage adjoining drive links with the edge of the file.



Depth gauges must be adjusted with the flat file in the same direction the adjoining cutter was filed with the round file. Use care not to contact cutter face with flat file when adjusting depth gauges.

# CHARGING THE BATTERY PACK

Charge the battery pack only with the charger provided.

Allow at least 60 minutes of charge time before initial use of the chain saw.

Make sure the power supply is normal household voltage, 120volts, 60Hz, AC only.

The battery charger should be operated in temperatures between 39 and 104 degrees F.

The battery should be charged in a cool, dry place.

Two to Three initial charging/discharging cycles may be required to achieve maximum run time/capacity.

Do not attempt to open the charger or the unit. There are no customer serviceable parts inside. Call the customer service help line at 1-800-618-7474 for assistance.

DO NOT incinerate battery packs even if they are severely damaged or completely worn out. They can explode in a fire causing injury.

Use the battery charger indoors only.

Disconnect charger from the power supply when not in use to prevent damage to the charger during a power surge.

When fully charged, the battery can be safely stored in temperatures down to  $-4^{\circ}$  degrees F for a period of up to four weeks, before requiring charging. Fully charge battery pack every 90 days.

If over a period of time the battery pack quickly runs down after a full 60 minutes charging period, a replacement battery pack is needed.

To prevent permanent damage to the battery, never store in a discharged condition.

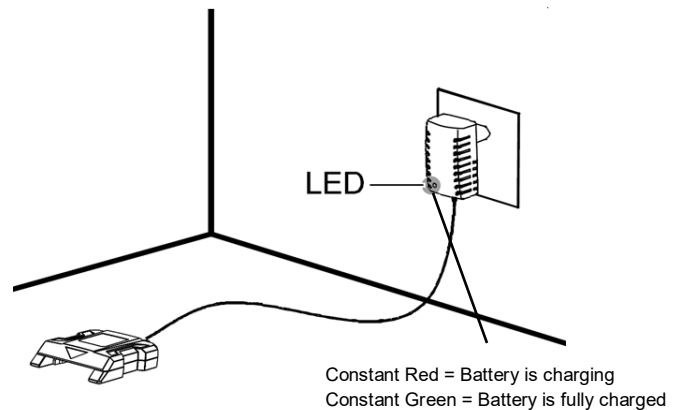
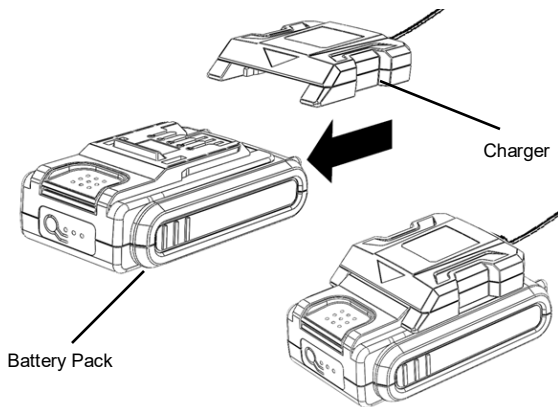
**WINTER STORAGE**—Fully recharge before storage and then again every 90 days.

Since the battery will not develop a memory, it does not have to be fully discharged before recharging.

A small leakage of liquid from the battery cells may occur under extreme usage, charging or temperature conditions. This does not indicate a failure. However, if the outer seal is broken and this leakage gets on your skin.

- Wash quickly with soap and water.
- Neutralize with a mild acid such as lemon juice or vinegar.
- If the battery liquid gets in your eyes, flush them with clean water for a minimum of 10 minutes and seek immediate medical attention.

## TO CHARGE—SEE CHARGER MANUAL FOR COMPLETE INSTRUCTIONS



### BATTERY DISPOSAL

Remove the battery pack from the chain saw. Cover the terminals with heavy duty adhesive tape. Do not attempt to destroy or disassemble battery pack or remove any components. This product contains lithium-ion batteries which must be recycled or disposed of properly. Local, state or federal laws may prohibit disposal of these batteries in ordinary trash.



The RBRC seal on the li-ion battery pack indicates that the costs to recycle the battery pack at the end of its useful life has already been paid by The Great States Corporation American Lawn Mower Company. It is illegal to place spent li-ion batteries in the local municipal solid waste or in the trash. RBRC in cooperation with The Great States Corporation American Lawn Mower Company has provided an environmentally friendly and easy way to recycle spent li-ion batteries. Just contact your local recycling center or call 1-800-8BATTERY for information on where to drop off the spent battery.

# MAINTENANCE

**BEFORE USING :** Fill oil well with new quality bar and chain oil, or if unavailable, unused SAE 30 weight motor oil may be substituted.

If you drop the chain saw, carefully inspect it for damage. If the blade is bent, housing cracked, or handles broken or if you see any other condition that may affect the saw's operation, call our customer service line at 1-800-618-7474 for assistance.

Make sure the battery is detached from the unit, then use only mild soap and a damp cloth to clean the tool. Never let any liquid get inside the tool; never immerse any part of the tool into a liquid.

**⚠ IMPORTANT:** To assure product SAFETY and RELIABILITY, repairs, maintenance and adjustment should be performed by a qualified individual always using identical replacement parts.

**⚠ CAUTION:** Do not at any time let brake fluids, gasoline, petroleum based products, penetrating oils, etc., come in contact with plastic parts. They contain chemicals that can damage, weaken or destroy plastic.

Ensure that the plastic bar cover is in place when storing. Fertilizers and other garden chemicals contain agents which greatly accelerate the corrosion of metals. Do not store the tool on or adjacent to fertilizers or chemicals.

For smooth and fast cutting, chain needs to be maintained properly. The chain requires sharpening when the wood chips are small and powdery, the chain must be forced through the wood during cutting, or the chain cuts to one side. Refer to instructions earlier in this manual for instructions on properly sharpening the chain.

## LUBRICATION SYSTEM

The chain is automatically lubricated.

Use only new bar and chain oil or unused SAE 30 weight motor oil may be substituted. Never use wasted oil, low quality oil, or insufficient oil. This could damage the pump; the bar and the chain which may result in serious personal injury. Check oil level before each work session, refill if oil level is below the minimum shown on the side of the oil level window.

If the lubrication system does not work properly, check if all oil-ways are clean and free from obstructions. If it is still not working, call our customer service help line at 1-800-618-7474 for assistance.

## GUIDE BAR MAINTENANCE

When the guide bar shows signs of wear, reverse it on the saw to distribute the wear for maximum bar life. The bar should be cleaned every day of use and checked for wear and damage.

Feathering or burring of the bar rails is a normal process of bar wear. Such faults should be smoothed with a file as soon as they occur.

A bar with any of the following faults should be replaced.

- Wear inside the bar rails which permits the chain to lay over sideways.
- Bent guide bar
- Cracked or broken rails
- Spread rails

In addition, guide bars with a sprocket at their tip must be lubricated weekly with a grease syringe to extend the guide bar life. Using a grease syringe, lubricate weekly in the lubricating hole.

Turn the guide bar and check that the lubrication holes and chain groove are free from obstructions.

---

## TROUBLESHOOTING

Problem	Possible Cause	Possible Solution
- Unit does not run	<ul style="list-style-type: none"> <li>- Battery not making contact</li> <li>- Lock off button not fully operated</li> <li>- Battery not installed properly</li> <li>- Battery not charged</li> </ul>	<ul style="list-style-type: none"> <li>-Check battery is fully inserted</li> <li>-Check that lock off button is fully forward prior to moving trigger</li> <li>-Check battery installation</li> <li>-Check battery charging requirements</li> </ul>
- Bar and chain running hot and smoking	<ul style="list-style-type: none"> <li>- Check tension for over-tight condition</li> <li>- Chain oil tank empty</li> <li>- Chain installed backwards</li> </ul>	<ul style="list-style-type: none"> <li>- Adjust chain tension</li> <li>- Fill tank with chain oil</li> <li>- Reverse chain so that cutters face the right direction</li> </ul>
- Motor runs but chain is not rotating	<ul style="list-style-type: none"> <li>- Chain tension too tight</li> <li>- Check guide bar and chain for damage</li> </ul>	<ul style="list-style-type: none"> <li>- Adjust chain tension</li> <li>- Replace damaged bar and chain with identical replacement parts.</li> </ul>

---

### CALL US FIRST !!

Call us first with questions about operating or maintaining your chain saw at 1.800.618.7474 between 8:00 a.m. – 5:00 p.m. Eastern Standard Time, or get assistance on [scotts.americanlawnmower.com](http://scotts.americanlawnmower.com)

## PARTS AND SERVICE

For parts or service, please call 1-800-618-7474 or visit us online at [SCOTTS.AMERICANLAWNMOWER.COM](http://SCOTTS.AMERICANLAWNMOWER.COM). Be sure to provide all relevant information when you call or visit.

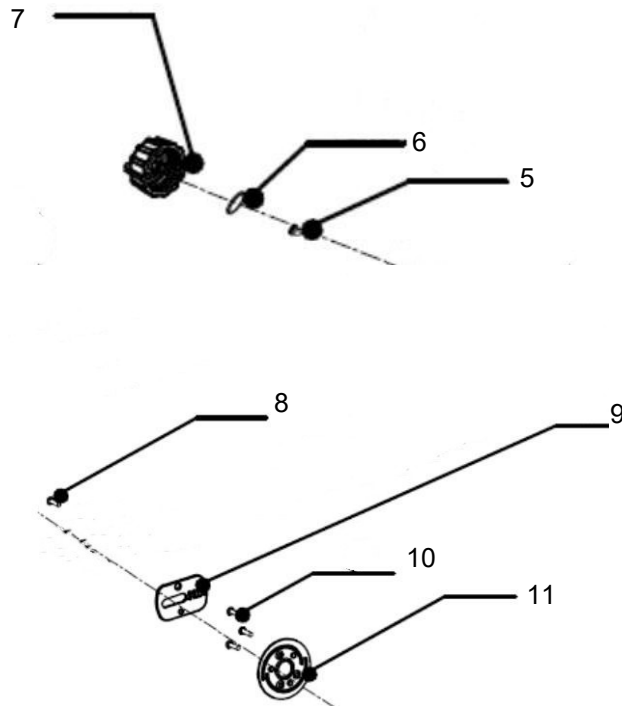
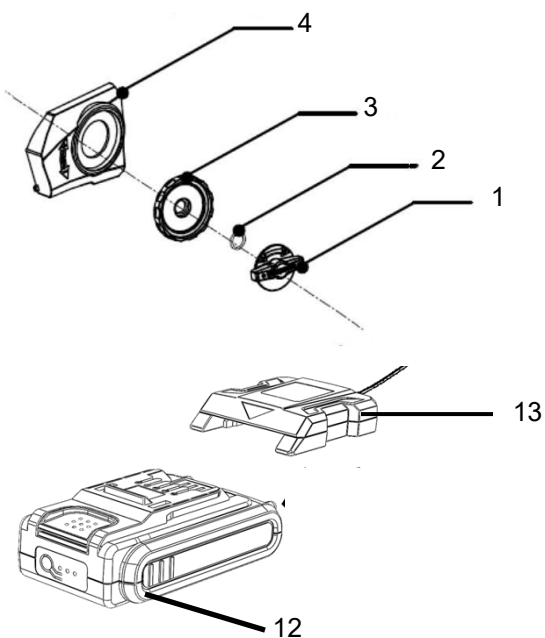
### REPAIR PARTS (KITS/ ITEMS)

The model/serial number of this tool is found on a plate or label attached to the housing. Please record the serial number in the space provided below.

MODEL NUMBER   **LCS31020S**  

SERIAL NUMBER \_\_\_\_\_

Always mention the model number when ordering kits/items for this tool.



No.	Kit/Item Number	Description	QTY
1, 2,3 & 4	LCS20-SCA-1	Sprocket cover assembly kit	1
5, 6 & 7	LCS20-OTC-1	Oil cap assembly kit	1
8, 9,10 & 11	LCS20-BCK-1	10" Bar and chain assembly kit	1
12	BL82120	20V battery	1
13	CHL82000	20V charger	1

### CALL US FIRST !!

Call us first with questions about operating or maintaining your chain saw at 1.800.618.7474 between 8:00 a.m. – 5:00 p.m. Eastern Standard Time, or get assistance on [scotts.americanlawnmower.com](http://scotts.americanlawnmower.com)



## OWNER'S MANUAL

### CORDLESS 20 VOLT CHAIN SAW/LITHIUM-ION BATTERY PACK

Copyright. All Rights Reserved.

#### SCOTTS WARRANTY POLICY

- **3 Year limited warranty** on all Scotts 20V lithium ion power tools from date of purchase when used for personal, household, or family use.
- **1 Year limited warranty** on all Scotts 20V lithium ion batteries and chargers from date of purchase when used for personal, household, or family use.

The Great States Corp. (GSC) warrants to the original owner that this Scotts product and service part is free from defects in materials and workmanship and agrees to repair or replace any defective product or part for the warranty period as stated above.

- Warranty voided if used for commercial or industrial purposes or any other improper use as determined by GSC.
- Warranty does not include repairs necessary due to operator's abuse or negligence (including overloading the product beyond capacity or immersion in water), or the failure to assemble, operate, maintain or store the product according to the instructions in the owner's manual.
- This warranty does not cover
  - ◇ Wear items, including but not limited to - drive belts & gears, tines, cutting blades, mower blades, saw chains, mulching blades, blower fans, spool covers, trimmer line, blower and vacuum tubes, guide bars, high pressure hoses, wheels, handles, augers, worn bags, power cables, and other items subject to wear over time.
  - ◇ Wear on batteries, including but not limited to – drops, wear and breakage on charger, exposure to extreme temperature swings (hot or cold), battery left on charger too long, battery left uncharged for too long, and misuse or abuse of the battery.
- This warranty does not cover damage caused by cold, heat, rain, excessive humidity or other environmental extremes.
- This warranty does not cover normal deterioration of the exterior finish or normal wear and tear on the products including, but not limited to scratches, cracks, dents, or damage caused by outside chemicals.
- This warranty is not transferable and only applies to new products sold directly from an authorized retailer. This warranty does not apply to any product, new or used, purchased through unauthorized third-party channels. For information on authorized dealers, contact our customer support hotline at 1-800-618-7474 (Mon-Fri 8am-5pm Est)
- Any incidental, indirect or consequential loss, damage, or expense that may result from any defect or malfunction of the products is not covered by the warranty.
- The warranty does not include installation, assembly or normal adjustments explained in the operator's manual. The expense of delivering the product to the vendor and the expense of returning the product or replacement parts to the owner is not covered by the warranty.

#### Additional Warranty Limitations

Some states do not allow the exclusion or limitation on how long an implied warranty lasts, so the above limitation may not apply to you. Products sold damaged or incomplete, sold —as is, or sold as reconditioned are not covered under the warranty.

Damage or liability caused by shipping, improper handling, improper assembly, incorrect voltage, improper wiring, improper maintenance, improper modification or the use of accessories and/or attachments not specifically recommended is not covered by this warranty.

**Proof of purchase, original dated sales receipt, must accompany all warranty claims.**

**For claims go to [scotts.americanlawnmower.com](http://scotts.americanlawnmower.com) or call our customer support hotline from 8am-5pm EST, Mon-Fri at 1-800-618-7474**



American Lawn Mower Company  
The Great States Corporation  
7444 Shadeland Station Way  
Indianapolis, IN 46256 USA  
Phone 1-800-618-7474  
[scotts.americanlawnmower.com](http://scotts.americanlawnmower.com)



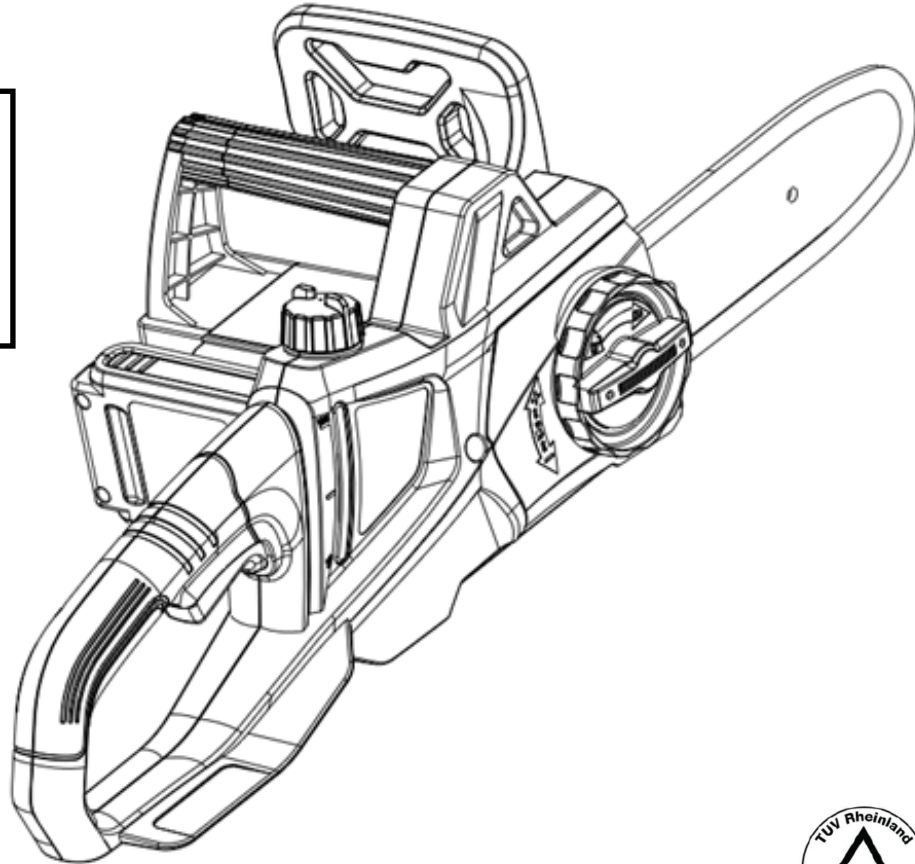
# MANUAL DEL OPERARIO

## MOTOSIERRA DE BATERÍA DE 20 VOLTIOS DE LITIO-ION

Copyright. Todos los derechos reservados.

### Modelo LCS31020S

DEBE CARGAR LA BATERÍA ANTES DE UTILIZARLA POR PRIMERA VEZ. ES POSIBLE QUE SE NECESITEN DE DOS A TRES CICLOS DE CARGA/ DESCARGA INICIALES PARA OBTENER LA MÁXIMA CAPACIDAD O TIEMPO DE FUNCIONAMIENTO.



Cargador Cumple con CA está incluido (Modelo No. CHL82000)

Este producto ha sido diseñado y fabricado de acuerdo con nuestros altos estándares de confiabilidad, facilidad de operación y seguridad para el operario. Si se trata con cuidado, esta herramienta le otorgará años de óptimo rendimiento y resistencia.



**ADVERTENCIA:** Para reducir el riesgo de sufrir alguna lesión, el usuario debe leer y comprender el manual del operario antes de usar este producto.

**AGREGAR ACEITE AL RESERVORIO DE ACEITE ANTES DEL PRIMER USO.**

Muchas gracias por su compra.

**NO DEVUELVA ESTE PRODUCTO A LA TIENDA. ¿TIENE PREGUNTAS SOBRE FUNCIONAMIENTO, MONTAJE, PIEZAS O SERVICIO TÉCNICO? VAYA A SCOTTS.AMERICANLAWNMOWER.COM O LLAME AL 1-800-618-7474 ENTRE LAS 8:00 AM Y LAS 5:00 PM, HORA DEL ESTE DE LOS ESTADOS UNIDOS.**

**GUARDE ESTE MANUAL PARA CONSULTAS FUTURAS**



## ADVERTENCIAS DE SEGURIDAD IMPORTANTES



### PARA REDUCIR EL RIESGO DE LESIONES:

Antes de poner en uso la herramienta, asegúrese de que todos los usuarios lean y comprendan las instrucciones de seguridad y la demás información incluida en este manual.

Guarde estas instrucciones y revíselas con frecuencia antes de usar la herramienta y para impartirlas a otros.

- ⚠ **PRECAUCIÓN:** Use protección auditiva apropiada mientras trabaja. En ciertas condiciones y con cierta duración de uso, el ruido generado por este producto puede contribuir a la pérdida de la audición.

- ⚠ **ADVERTENCIA:** Al utilizar aparatos eléctricos para el jardín, se recomienda respetar las precauciones de seguridad básicas que se detallan a continuación, a fin de reducir riesgos de incendios, descargas eléctricas y lesiones personales.

### LEA TODAS LAS INSTRUCCIONES

## ADVERTENCIAS DE SEGURIDAD GENERALES PARA LA HERRAMIENTAS ELÉCTRICAS

- ⚠ **ADVERTENCIA:** Lea todas las advertencias de seguridad y las instrucciones. La inobservancia de las advertencias e instrucciones puede causar descargas eléctricas, incendios o lesiones graves. **Guarde todas las advertencias e instrucciones para consultarlas en el futuro.** El término "herramienta eléctrica" en las advertencias se refiere a las herramientas eléctricas que funcionan con corriente (con cordón) o las que funcionan con batería (inalámbricas).

### Área de trabajo

- **Mantenga limpia y bien iluminada el área de trabajo.** Un área de trabajo mal despejada o mal iluminada propicia accidentes.
- **No utilice herramientas motorizadas en atmósferas explosivas, como las existentes alrededor de líquidos, gases y polvos inflamables.** Las herramientas eléctricas generan chispas que pueden encender el polvo y los vapores inflamables.
- **Mantenga alejados a los niños y circunstantes al maniobrar una herramienta eléctrica.** Toda distracción puede causar la pérdida del control de la herramienta.

### Seguridad eléctrica

- **Las clavijas de las herramientas eléctricas deben corresponder a las tomas de corriente donde se conectan. Nunca modifique la clavija de ninguna forma. No utilice ninguna clavija adaptadora con herramientas eléctricas dotadas de contacto a tierra.** Conectando las clavijas originales en las tomas de corriente donde corresponden se disminuye el riesgo de una descarga eléctrica.
- **Evite el contacto del cuerpo con las superficies de objetos conectados a tierra, como las tuberías, radiadores, estufas y refrigeradores.** Existe un mayor riesgo de descargas eléctricas si el cuerpo está haciendo tierra.
- **No exponga las herramientas eléctricas a la lluvia ni a condiciones de humedad.** La introducción de agua en una herramienta eléctrica aumenta el riesgo de descargas eléctricas.
- **No maltrate el cordón eléctrico. Nunca utilice el cordón para trasladar, desconectar o tirar de la herramienta eléctrica. Mantenga el cordón lejos del calor, aceite, bordes afilados y piezas móviles.** Los cordones eléctricos dañados o enredados aumentan el riesgo de descargas eléctricas.
- **Al utilizar una herramienta eléctrica a la intemperie, use un cordón de extensión apropiado para el exterior.** Usando un cordón adecuado para el exterior se disminuye el riesgo de descargas eléctricas.
- **Si debe operar una herramienta en lugares húmedos, use un suministro protegido por un interruptor de circuito con pérdida a tierra (GFCI).** El uso de un GFCI reduce el riesgo de descargas eléctricas.

### Seguridad personal

- **Permanezca alerta, preste atención a lo que esté haciendo y aplique el sentido común al utilizar herramientas eléctricas. No utilice la herramienta eléctrica si está cansado o se encuentra bajo los efectos de alguna droga, alcohol o medicamento.** Un momento de inatención al utilizar una herramienta eléctrica puede causar lesiones corporales serias.
- **Utilice protección el equipo otros. Siempre póngase protección ocular.** El uso de equipo protector como mascarilla para el polvo, calzado de seguridad, casco y protección para los oídos en las circunstancias donde corresponda disminuye el riesgo de lesiones.
- **Evite que la herramienta se active accidentalmente. Asegúrese de que el interruptor esté en la posición de apagado antes de conectar la herramienta a un suministro de corriente o de colocar un paquete de baterías.** Transportar herramientas eléctricas con el dedo en el interruptor o enchufar herramientas eléctricas que tienen el interruptor encendido puede ocasionar accidentes.

- **Retire toda llave o herramienta de ajuste antes de encender la herramienta eléctrica.** Toda llave o herramienta de ajuste dejada en una pieza giratoria de la herramienta eléctrica puede causar lesiones.
- **No estire el cuerpo para alcanzar mayor distancia. Mantenga una postura firme y buen equilibrio en todo momento.** De esta manera se logra un mejor control de la herramienta eléctrica en situaciones inesperadas.
- **Vístase adecuadamente. No vista ropas holgadas ni joyas. Mantenga el cabello, la ropa y los guantes alejados de las piezas móviles.** Las ropas holgadas y las joyas, así como el cabello largo, pueden engancharse en las piezas móviles.
- **Si se suministran dispositivos para conectar mangueras de extracción y captación de polvo, asegúrese de que éstas estén bien conectadas y se usen correctamente.** El uso de la captación de polvo puede reducir los peligros relacionados con éste.

### Empleo y cuidado de la herramienta eléctrica

- **No fuerce la herramienta eléctrica. Utilice la herramienta eléctrica adecuada para cada trabajo.** La herramienta eléctrica adecuada efectúa mejor y de manera más segura el trabajo, si además se maneja a la velocidad para la que está diseñada.
- **No utilice la herramienta si el interruptor no enciende o no apaga.** Cualquier herramienta eléctrica que no pueda controlarse con el interruptor es peligrosa y debe repararse.
- **Desconecte la clavija del suministro de corriente o retire el paquete de baterías de la herramienta eléctrica, según sea el caso, antes de efectuarle cualquier ajuste, cambiarle accesorios o guardarla.** Tales medidas preventivas de seguridad reducen el riesgo de poner en marcha accidentalmente la herramienta.
- **Guarde las herramientas eléctricas desocupadas fuera del alcance de los niños y no permita que las utilicen personas no familiarizadas con las mismas o con estas instrucciones.** Las herramientas eléctricas son peligrosas en manos de personas no capacitadas en el uso de las mismas.
- **Preste servicio a las herramientas eléctricas. Revise para ver si hay desalineación o atoramiento de piezas móviles, ruptura de piezas o cualquier otra condición que pueda afectar el funcionamiento de la herramienta. Si está dañada la herramienta eléctrica, permita que la reparen antes de usarla.** Numerosos accidentes son causados por herramientas eléctricas mal cuidadas.
- **Mantenga las herramientas de corte afiladas y limpias.** Las herramientas de corte bien cuidadas y con bordes bien afilados, tienen menos probabilidad de atascarse en la pieza de trabajo y son más fáciles de controlar.
- **Utilice la herramienta eléctrica, los accesorios y brocas, hojas y cuchillas de corte, ruedas de esmeril, etc. de conformidad con estas instrucciones, tomando en cuenta las condiciones de trabajo y la tarea por realizar.** Si se utiliza la herramienta eléctrica para operaciones diferentes de las indicadas podría originar una situación peligrosa.

### Empleo y cuidado de la herramienta de baterías

- **Sólo cargue el paquete de baterías con el cargador especificado por el fabricante.** Un cargador adecuado para un tipo paquete de baterías puede significar un riesgo de incendio si se emplea con un paquete de baterías diferente.
- **Utilice las herramientas eléctricas sólo con los paquetes de baterías específicamente indicados.** El empleo de paquetes de baterías diferentes puede presentar un riesgo de incendio.



## ADVERTENCIAS DE SEGURIDAD GENERALES PARA LA HERRAMIENTAS ELÉCTRICAS

- Cuando no esté utilizándose el paquete de baterías, manténgalo lejos de otros objetos metálicos, como clips, monedas, llaves, clavos, tornillos o otros objetos metálicos, pequeños que puedan establecer conexión entre ambas terminales. Establecer una conexión directa entre las dos terminales de las baterías puede causar quemaduras o incendios.
- Si se maltratan las baterías, puede derramarse líquido de las mismas; evite todo contacto con éste. En caso de contacto, lávese con agua. Si el líquido llega a tocar los ojos, además busque atención médica. El líquido de las baterías puede causar irritación y quemaduras.

## ADVERTENCIAS DE SEGURIDAD DE LA MOTOSIERRA

- Mantenga todas las partes del cuerpo alejadas de la motosierra mientras esté en funcionamiento. Antes de encender la motosierra, asegúrese de que no esté en contacto con nada. Un momento de distracción mientras usa la motosierra puede hacer que la motosierra agarre su ropa o una parte de su cuerpo.
- Siempre sostenga la motosierra con la mano derecha en el mango trasero y la mano izquierda en el mango delantero. Sostener la motosierra con las manos invertidas aumenta el riesgo de sufrir lesiones personales y siempre debe evitarse.
- Sostenga la herramienta eléctrica únicamente por las partes aisladas, porque la misma podría morder cables ocultos. Si la motosierra toca un cable vivo, las piezas metálicas de la herramienta podrían energizarse y producirle una descarga eléctrica al operador.
- Use gafas de seguridad y protección auditiva. También se recomienda usar equipo de protección para la cabeza, las manos, las piernas y los pies. La indumentaria de protección adecuada reducirá las lesiones personales en caso de que salgan partículas despedidas o su cuerpo toque accidentalmente la motosierra.
- No use la motosierra sobre un árbol. Si usa la motosierra subido a un árbol, podría sufrir lesiones personales.
- Siempre mantenga un buen apoyo y utilice la motosierra únicamente sobre superficies fijas, firmes y niveladas. Las superficies resbaladizas o inestables como las escaleras pueden hacerle perder el equilibrio o el control de la motosierra.
- Cuando corte una rama que esté sometida a tensión, esté atento al retorno. Cuando se libera la tensión de las fibras de madera, la rama podría golpear al operador o lanzar la motosierra en forma descontrolada.
- Tenga extremo cuidado al cortar maleza o retoños. El material delgado podría quedar atrapado en la motosierra y salir disparado hacia usted o hacerle perder el equilibrio.
- Transporte la motosierra apagada, lejos de su cuerpo y tomada del mango frontal. Siempre que transporte o almacene la motosierra, coloque la cubierta de la barra guía. Manipular la motosierra correctamente reduce la probabilidad de tocar accidentalmente la cadena en movimiento.
- Siga las instrucciones para lubricar la herramienta, tensionar la cadena y cambiar los accesorios. Si la cadena no está correctamente tensionada o lubricada, podría romperse o presentar un mayor riesgo de que ocurra un contragolpe.
- Mantenga los mangos secos, limpios y sin aceite ni grasa. Los mangos con aceite o grasa son resbaladizos y pueden hacerle

### Servicio

- Permita que un técnico de reparación calificado preste servicio a la herramienta eléctrica, y sólo con piezas de repuesto idénticas. De esta manera se mantiene la seguridad de la herramienta eléctrica.
- Al dar servicio a una herramienta eléctrica, sólo utilice piezas de repuesto idénticas. Siga las instrucciones señaladas en la sección Mantenimiento de este manual. El empleo de piezas no autorizadas o el incumplimiento de las instrucciones de mantenimiento puede significar un riesgo de descarga eléctrica o de lesiones.

perder el control.

- Corte únicamente madera. No use la motosierra para usos distintos de los previstos. Por ejemplo: no use la motosierra para cortar plástico, mampostería ni materiales de construcción que no sean de madera. El uso de la motosierra para fines distintos de los previstos podría dar lugar a una situación de riesgo.

### Causas y prevención del contragolpe:

Puede ocurrir un contragolpe cuando la punta de la barra guía toca un objeto o cuando la madera se cierra y pellizca la cadena de la sierra en el punto de corte. En algunos casos, el contacto de la pieza de trabajo con la punta de la barra guía puede causar una reacción súbita en dirección inversa, la cual lanza la barra guía hacia arriba y hacia atrás, en dirección al operador. El pellizcamiento de la cadena de la sierra en la parte superior de la barra guía puede empujar la barra rápidamente hacia atrás, en dirección al operador. Cualquiera de estas dos reacciones puede causar la pérdida del control de la sierra, lo cual a su vez puede producir lesiones personales serias. No dependa exclusivamente de los dispositivos de seguridad incorporados de la sierra. Como usuario de una motosierra, debe tomar varias medidas para evitar los accidentes y las lesiones en todos sus trabajos de corte. El contragolpe es el resultado de un uso indebido de la herramienta o de procedimientos o condiciones de utilización incorrectos, y se puede evitar tomando las precauciones apropiadas que se presentan a continuación:

- Mantenga la herramienta bien sujeta, con los pulgares y los dedos alrededor de los mangos de la motosierra; sostenga la herramienta con ambas manos y posicione su cuerpo y su brazo de una forma que le permita resistir la fuerza de un contragolpe. El operador puede controlar las fuerzas del contragolpe si toma las precauciones adecuadas. No suelte la motosierra.
- No se estire ni corte por encima de la altura del hombro. Esto ayuda a evitar el contacto accidental con la punta y permite un mejor control de la motosierra ante situaciones inesperadas.
- Use únicamente barras y cadenas de repuesto indicadas por el fabricante. El uso de barras y cadenas de repuesto incorrectas podría hacer que la cadena se rompa o que se produzcan contragolpes.
- Siga las instrucciones de afilado y mantenimiento de la cadena de la sierra que provee el fabricante. Disminuir la altura del calibrador de profundidad puede aumentar la probabilidad de que ocurra un contragolpe.

⚠ **PRECAUCIÓN:** Use solo las siguientes baterías de tipo y tamaño: BL82120.

⚠ **ADVERTENCIA: Proposición 65 de California:** Este producto contiene sustancias químicas al estado de California como causantes de cáncer, defectos de nacimiento u otros problemas reproductivos.

⚠ **ADVERTENCIA:** Parte del polvo y los desechos generados por el uso de esta herramienta contienen químicos reconocidos por el Estado de California como causantes de cáncer, defectos de nacimiento u otros efectos nocivos para el aparato reproductor. Algunos ejemplos de estos productos químicos son:

- químicos presentes en fertilizantes;
  - compuestos presentes en insecticidas, herbicidas y pesticidas; y
  - arsénico y cromo de maderas tratadas químicamente.
- El riesgo que usted corre al exponerse a estos químicos varía según la frecuencia con la que realiza este tipo de trabajo. Para reducir la exposición, trabaje en una zona bien ventilada y utilice equipo de protección aprobado, como mascarillas antipolvo especialmente diseñadas para filtrar partículas microscópicas.
- ⚠ **ADVERTENCIA:** Cáncer y Daño Reproductivo - [www.P65Warnings.ca.gov](http://www.P65Warnings.ca.gov).

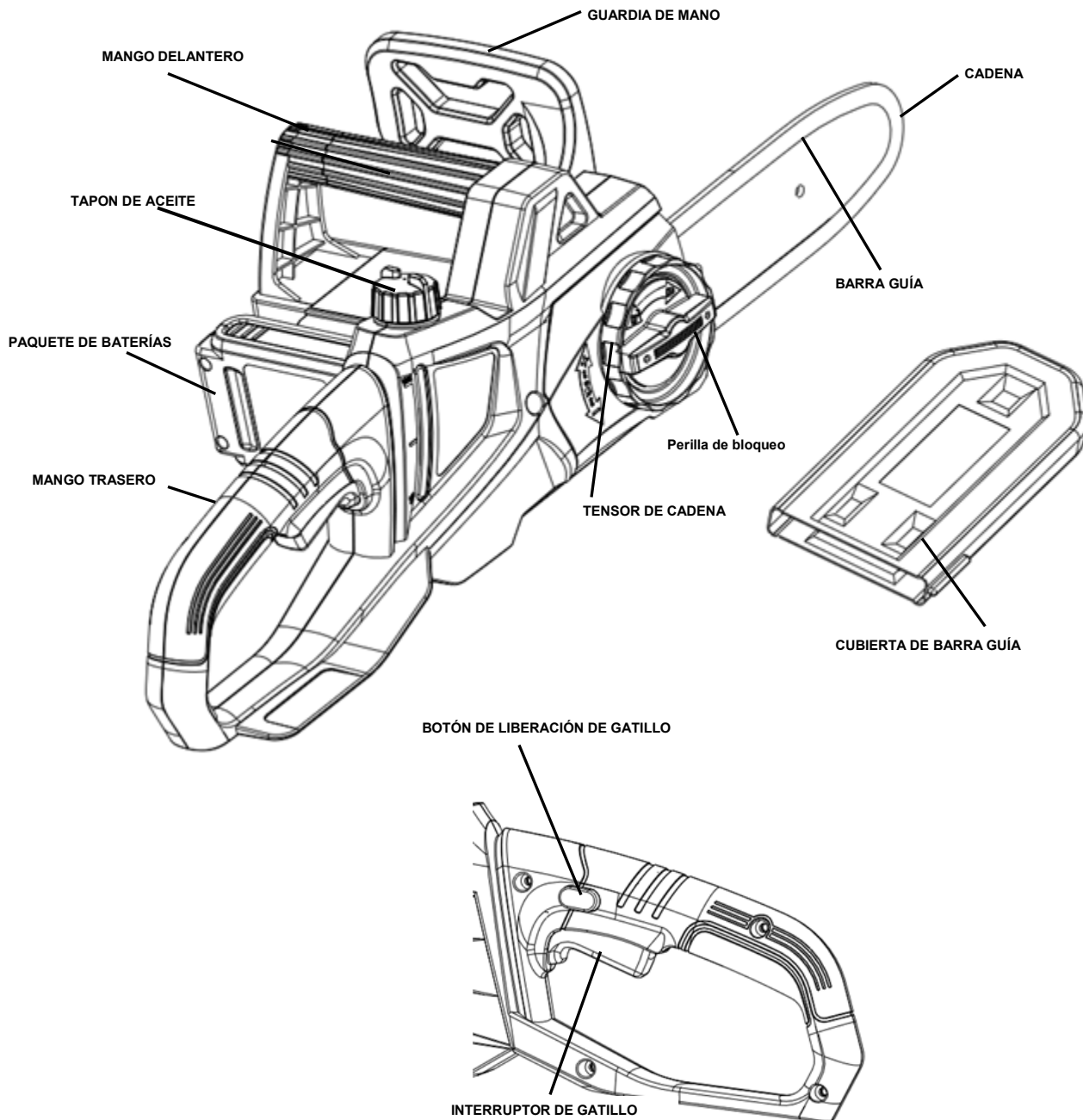
# CARACTERÍSTICAS

## ESPECIFICACIONES DEL PRODUCTO

### LCS31020S

Entrada .....	20 V/2.0 Amp horas, CC Solamente
Longitud de la barra Barra Oregon.....	Barra de 25,4 cm (10pulg)(M1501040-1041TL)
Cadena .....	CL15040
Peso .....	2.77 kg (6.1 libras)

### - Lubricación automática de la barra y la cadena - Protector de barra -



## MONTAJE

### DESEMBALAJE

Este producto requiere no montaje.

Extraiga la herramienta y los accesorios de la caja con cuidado. Asegúrese de que estén incluidos todos los elementos detallados en la lista de embalaje.

Inspeccione el producto detenidamente para corroborar que no existan roturas ni averías ocurridas durante el envío.

No deseche el material de embalaje hasta haber inspeccionado exhaustivamente el producto y comprobar que funciona en forma satisfactoria.

**!** **ADVERTENCIA:** Si falta alguna pieza o está dañada, no utilice este producto hasta reponer la pieza en cuestión. De lo contrario, podría sufrir lesiones personales de gravedad. Si falta alguna pieza o está dañada, llame al 1-800-618-7474 para obtener asistencia.

### LISTA DE EMBALAJE

- Motosierra con funda de cuchillas
- Paquete de baterías y cargador
- Manual del operario

## INSTALACIÓN / REEMPLAZO DE LA BARRA GUÍA Y LA CADENA

**!** **PELIGRO:** Nunca encienda el motor antes de instalar la barra guía, la cadena y la tapa de la cadena. Si estas piezas no están en su lugar, el embrague puede salir disparado o explotar, lo que expondrá al usuario a una posible lesión grave.

**!** **ADVERTENCIA:** Para evitar lesiones personales graves, lea y comprenda las instrucciones de seguridad provistas.

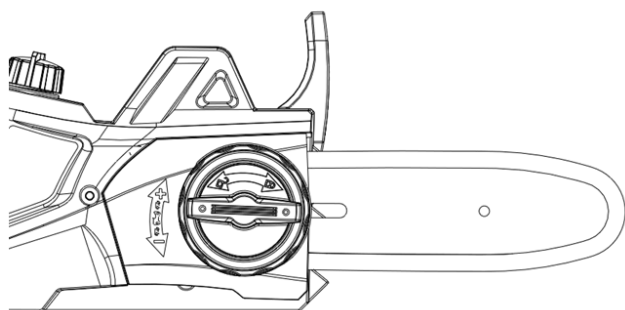
**!** **ADVERTENCIA:** Antes de realizar alguna tarea de mantenimiento, asegúrese de retirar el paquete de baterías. De lo contrario, podría sufrir lesiones personales de gravedad.

**!** **PRECAUCIÓN:** Use siempre guantes al manipular la barra y la cadena. Estos componentes son filosos y pueden contener rebabas.

**!** **ADVERTENCIA:** Nunca toque o ajuste la cadena mientras el motor está en funcionamiento. La cadena de la motosierra es muy filosa; por lo tanto, siempre utilice guantes de protección al realizar el mantenimiento de la cadena para evitar posibles laceraciones graves.

**NOTA:** Use únicamente piezas de reemplazo idénticas al reemplazar la barra guía y la cadena.

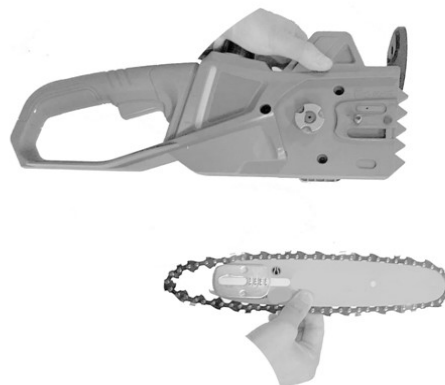
- Extraiga el paquete de baterías de la motosierra.
- Afloje la perilla de seguridad de la motosierra en sentido contrario a las agujas del reloj.



- Retire la tapa de la cadena.



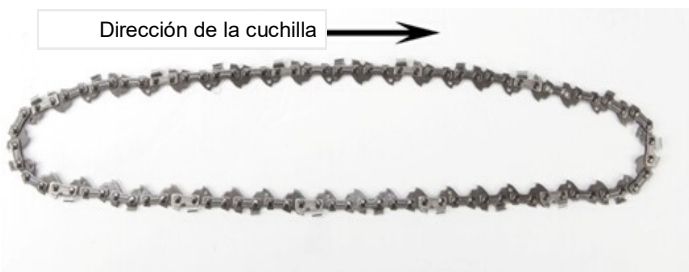
- Retire la barra y la cadena de la superficie de montaje.



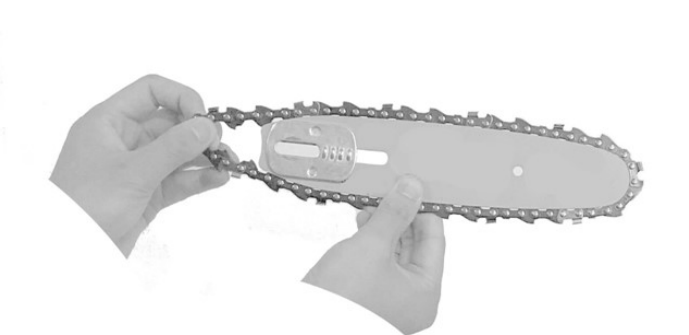
## INSTALACIÓN / REEMPLAZO DE LA BARRA GUÍA Y LA CADENA

- Retire la cadena vieja de la barra.
- Extienda la nueva cadena de la sierra formando círculo y enderece todo retorcimiento presente en la misma. Los dientes de corte deben estar orientados en la dirección desplazamiento de la cadena. Si están orientados en la dirección opuesta, invierta la posición de la cadena.

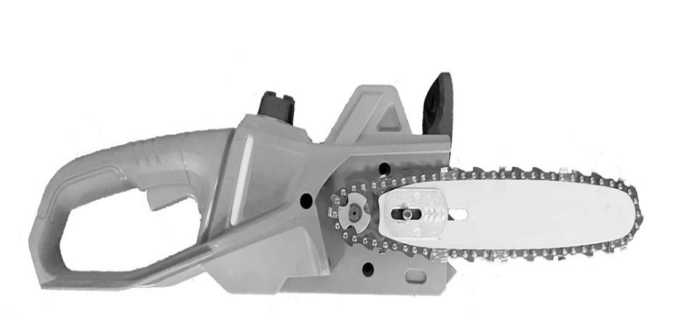
Dirección de la cuchilla



- Coloque los eslabones impulsores de la cadena en la ranura de la barra.  
NOTA: Verifique que la dirección de la cadena sea la correcta.



- Coloque la cadena de manera que haya un lazo en la parte posterior de la barra.
- Sostenga la cadena en posición sobre la barra y coloque el lazo alrededor de la rueda dentada.
- Ajuste la barra al ras contra la superficie de montaje para que la barra de botones en la ranura de la barra larga.  
NOTA: Al colocar la barra en la barra de botones, verifique que el perno de ajuste está en el orificio del pasador tensión de cadena.

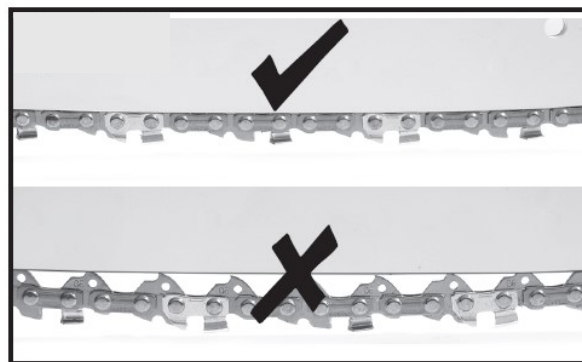


- Vuelva a montar la tapa de la cadena. Atornille girando la perilla en el sentido de las agujas de reloj, dejando la barra con libre movimiento para poder ajustar la tensión.
- Elimine toda la holgura de la cadena; para ello, gire hacia la derecha la perilla de tensado de la cadena hasta que la cadena se asiente ajustadamente en la barra, con los eslabones de impulsión dentro de la ranura.



- Ajuste la perilla.

La cadena tendrá la tensión correcta si no hay comba en la parte inferior de la barra guía y la cadena está ajustada pero se puede girar a mano sin que se trabase.



**NOTA:** Si la cadena está demasiado ajustada, no podrá desplazarse. Afloje levemente la perilla y gire el tensor de la cadena 1/4 de vuelta hacia la izquierda. Levante la punta de la barra guía y vuelva a apretar la perilla. Asegúrese de que la cadena gire sin trabarse.

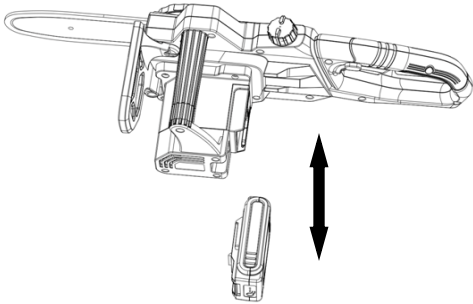
**NOTA:** Una cadena nueva tiende a estirarse; por lo tanto, revise la tensión de la cadena periódicamente y ajústela según sea necesario.

# FUNCIONAMIENTO

## PARA INSTALAR / QUITAR EL PAQUETE DE BATERÍAS

- ⚠ ADVERTENCIA:** Siempre retire la batería del producto cuando esté ensamblando piezas, haciendo ajustes, limpiando o cuando no esté en uso. Quitar la batería evitará un arranque accidental que podría causar lesiones personales graves.

Deslice la batería en la motosierra. Asegúrese de que la batería esté bien conectada. Para quitar la batería, presione el botón de liberación y extraiga la batería de la herramienta.



## ENCENDIDO DE LA HERRAMIENTA.

Presione el botón de desbloqueo del gatillo con el pulgar y luego apriete el gatillo con los dedos. (Una vez que la herramienta está en marcha, puede soltar el botón de desbloqueo del gatillo). Para apagar la máquina, suelte el gatillo.

- ⚠ ADVERTENCIA:** Para prevenir daños personales, tenga en cuenta las siguientes recomendaciones: Lea el manual de instrucciones antes de usar el producto y guárdelo para consultas futuras. Mantenga las manos alejadas de la cadena. Sostenga la herramienta con ambas manos en los mangos. No adopte una postura forzada.

Para mantener el control de la motosierra, sujétela firmemente con ambas manos, sin soltarla. Tome el mango trasero con la mano derecha, independientemente de ser diestro o zurdo. Rodee el manillar delantero con los dedos de la mano izquierda por arriba y el pulgar izquierdo por debajo del manillar.

Revise el nivel de aceite antes de cada sesión de trabajo,

- ⚠ PRECAUCIÓN:** El depósito de aceite de la cadena debe llenarse antes de la operación. La falta de lubricación de la cadena provocará daños a la barra y la cadena. Use sólo un aceite de buena calidad para la barra y la cadena o, si no está disponible, puede sustituirlo por aceite de motor SAE 30 sin usar. El consumo aproximado de aceite durante un minuto de uso es de 0,15 onzas líquidas (5 ml).

**NOTA:** Es normal que la motosierra pierda parte del aceite cuando no está en uso. Para evitarlo, vacíe el tanque de aceite después de cada uso. Cuando almacene la unidad durante un período prolongado (tres meses o más) asegúrese de que la cadena esté ligeramente lubricada; esto evitará que se oxide la rueda dentada de la barra y la cadena.

- ⚠ ADVERTENCIA:** No coloque ningún tipo de accesorio o dispositivo de sujeción en la motosierra. Dicha práctica podría resultar peligrosa.

## INSTRUCCIONES DE CORTE

- ⚠ ADVERTENCIA:** No opere la motosierra en un árbol, en una escalera ni en un andamio; esto es sumamente peligroso.
- ⚠ PRECAUCIÓN:** La cadena se mueve por inercia después de apagar el motor.

No trabaje en condiciones de humedad.

Tenga suma precaución al cortar broza de pequeño tamaño, vástagos o ramas con cierta tensión, debido a que los materiales delgados y tensos, al entrar en contacto con la motosierra, pueden salir proyectados hacia usted, hacerle perder el equilibrio o saltar hacia atrás.

No utilice la motosierra para cortar enredaderas ni malezas.

- ⚠ ADVERTENCIA:** No permita que la familiaridad con este tipo de herramientas termine en negligencia. Recuerde que un segundo de descuido es suficiente para provocar una lesión grave.

Antes de encender la unidad, asegúrese de que no esté en contacto con ningún objeto.

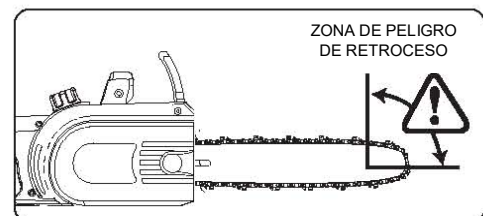
- ⚠ ADVERTENCIA:** Es posible que se produzca una fuerza de retroceso cuando la cadena en movimiento toca un objeto con la parte superior de la punta de la barra guía o cuando la madera atrapa y aprieta la motosierra en el corte. El contacto con la parte superior de la punta de la barra guía puede provocar que la cadena se incruste en el objeto y se detenga por un instante. El resultado es una rapidísima reacción inversa que impulsa la barra guía hacia arriba y hacia atrás en dirección al operario. Si se aprieta la motosierra a lo largo de la parte superior de la barra guía, ésta puede salir proyectada rápidamente hacia atrás en dirección al operario. Cualquiera de estas reacciones puede producir la pérdida de control de la motosierra, lo que puede hacer que el operario pierda el equilibrio y sufra lesiones graves. No dependa exclusivamente de los dispositivos de seguridad integrados a la motosierra. Como usuario, deberá tomar varias medidas para evitar accidentes y lesiones en sus trabajos de corte.

### Se deben tener en cuenta las siguientes precauciones para evitar que se produzca una fuerza de retroceso:

1. Sostenga el mango y la empuñadura con firmeza con ambas manos cuando la unidad esté en funcionamiento. Coloque la mano derecha en la empuñadura trasera y la izquierda en el mango de la motosierra con los pulgares y dedos rodeándolos. Si sujeta la motosierra con firmeza y ubica la empuñadura contra su cuerpo, podrá mantenerla bajo control.
2. Asegúrese de que no haya obstrucciones en el área donde está trabajando. No permita que la punta de la barra guía toque ningún tronco, rama, cerca ni otra obstrucción con la que la motosierra pudiera entrar en contacto mientras trabaja.
3. Siempre corte con la unidad funcionando a toda velocidad. Apriete el gatillo del acelerador hasta el fondo y mantenga una velocidad de corte constante.

Empuje y tracción: esta fuerza de reacción siempre es opuesta a la dirección del movimiento de la cadena donde la herramienta entra en contacto con la madera. Por lo tanto, el operario debe estar preparado para controlar la fuerza de TRACCIÓN al cortar con el borde inferior de la barra y la fuerza de EMPUJE al cortar a lo largo del borde superior.

Use guantes antideslizantes para lograr un máximo agarre y protección.



# FUNCIONAMIENTO

## Position correcte pour la coupe

N'utilisez pas la scie à long manche pour couper des arbrisseaux. Utilisez la tronçonneuse sans le manche.

Coloque el brazo izquierdo con el codo trabado en la posición de "brazo extendido" para soportar la fuerza de retroceso. La mano derecha debe sostener la empuñadura con firmeza contra su cuerpo para obtener un mayor apoyo.

Su cuerpo siempre debe estar a la izquierda de la línea de la cadena.

## Procedimiento básico de corte

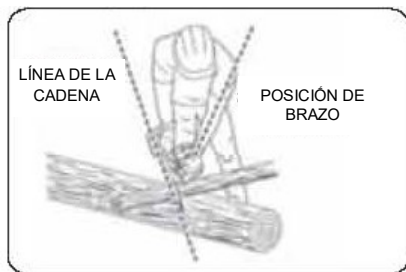
Habitualmente, para los árboles pequeños de hasta 15 ó 18 cm (6 ó 7 pulgadas) de diámetro se necesita un solo corte. Los árboles grandes requieren cortes con muescas. Las muescas determinan la dirección en la que caerá el árbol.

**ADVERTENCIA:** Si el árbol comienza a caer en la dirección incorrecta o si la motosierra queda atrapada o colgada durante la caída, deje la herramienta y póngase a salvo.

**ADVERTENCIA:** En forma periódica, eche una mirada a la parte superior del árbol durante el corte posterior para asegurarse de que el árbol va a caer en la dirección deseada.

Practique cortando algunos troncos pequeños con la técnica que se describe a continuación para familiarizarse con el uso de la motosierra antes de comenzar una operación de tala importante.

Adopte la postura adecuada delante de la madera con la motosierra apagada.



Apriete el gatillo y permita que la cadena acelere hasta la velocidad máxima antes de comenzar a cortar.

Sostenga la motosierra firmemente con ambas manos.

La unidad debe estar funcionando durante todo el tiempo que esté cortando; mantenga una velocidad constante.

Permita que la cadena realice el corte por usted; ejerza sólo una ligera presión hacia abajo. Si fuerza el corte, se dañará la barra, la cadena o la unidad.

No aplique presión sobre la motosierra al final del corte.

Al talar un árbol, las demás personas deben mantenerse a una distancia segura de la zona de corte. Durante las operaciones de tala, la distancia segura deberá ser al menos el doble de la altura de los árboles más grandes que se encuentran en la zona de tala. Si el árbol entra en contacto con algún cable de servicios, se deberá notificar a la empresa del servicio inmediatamente.

Siempre corte con ambos pies bien apoyados en suelo firme para evitar la pérdida del equilibrio.

**Cuando utilice la motosierra de cadena, no realice cortes por encima de la altura del pecho.**

**ADVERTENCIA:** Compruebe que no haya ramas dañadas o muertas que pudieran caer y golpearlo durante el procedimiento de tala.

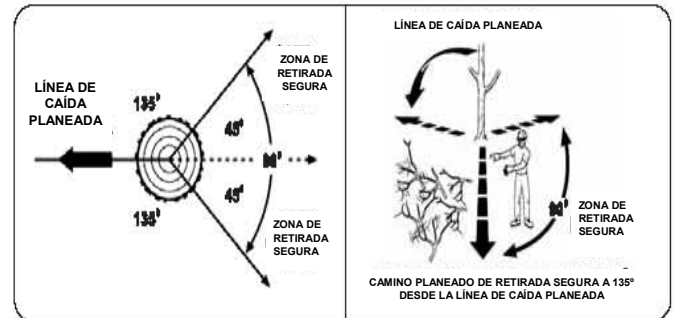
**ADVERTENCIA:** No corte árboles cerca de cables eléctricos ni de edificaciones.

## TALA DE UN ÁRBOL

Cuando dos o más personas realizan operaciones de tala y serrado al mismo tiempo, la tala debe estar apartada del área donde se está serrando por una distancia mínima del doble de la altura de los árboles que se están talando. La tala de los árboles no debe poner en riesgo a ninguna persona, golpear ningún cable de servicios ni causar daños a la propiedad. Si el árbol entra en contacto con algún cable de servicios, se deberá notificar a la empresa del servicio inmediatamente.

**ADVERTENCIA:** Compruebe que no haya ramas dañadas o muertas que pudieran caer y golpearlo durante el procedimiento de tala.

Antes de comenzar a cortar, planifique su ruta de escape (o rutas, en caso de que la ruta elegida esté bloqueada); despeje el área inmediata alrededor del árbol y asegúrese de que no haya obstrucciones en el camino de retirada planeado. Un camino despejado de retirada segura es el que se encuentra aproximadamente a 135 grados de la línea de caída planeada. El camino de retirada debe extenderse hacia atrás y diagonalmente hacia la zona posterior de la línea de caída prevista.



Antes de comenzar a talar, considere la fuerza y la dirección del viento, la inclinación y el equilibrio del árbol y la ubicación de las ramas grandes. Estos factores influyen en la dirección en la que caerá el árbol. No intente talar un árbol por una línea distinta a su línea natural de caída.

El usuario de la motosierra debe ubicarse en el lado ascendente del terreno, ya que es probable que el árbol ruede o se deslice cuesta abajo después de ser talado.

Elimine el polvo, piedras, corteza suelta, clavos, grapas y alambres del árbol donde se realizarán los cortes de tala.

**CORTE DE MUESCA.** Corte una muesca de aproximadamente 1/3 del árbol, perpendicular a la dirección de la caída. Realice los cortes de la muesca de tal forma que se intersecten en ángulo recto con la línea de caída. La muesca debe limpiarse hasta dejar una línea recta. Para que el peso de la madera no caiga sobre la motosierra, siempre realice el corte inferior de la muesca antes que el corte superior.

**ADVERTENCIA:** No tale árboles durante períodos de viento fuerte ni precipitaciones intensas. Espere hasta que pase el peligro para realizar el trabajo.

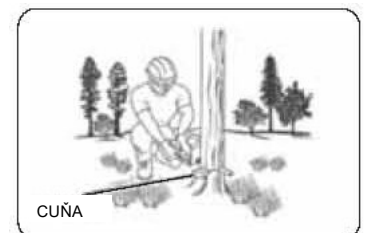
**ADVERTENCIA:** No tale árboles que tengan una inclinación excesiva o árboles grandes que tengan ramas en mal estado, corteza floja o troncos huecos. Estos árboles se deben empujar o arrastrar con equipos pesados para luego cortarlos.

## CORTE POSTERIOR DE TALA

El corte posterior siempre se realiza en forma recta y horizontal, a un mínimo de 5 cm (2 pulgadas) sobre el corte horizontal de la muesca.

Nunca corte hasta llegar a la muesca. Siempre deje una franja de madera entre la muesca y el corte posterior (aproximadamente 5 cm [2 pulgadas] o 1/10 del diámetro del árbol). Esto se denomina "bisagra" o "bisagra de madera". Controla la caída del árbol y previene el deslizamiento, retorcimiento o proyección hacia atrás del árbol al desprenderse del tronco cortado.

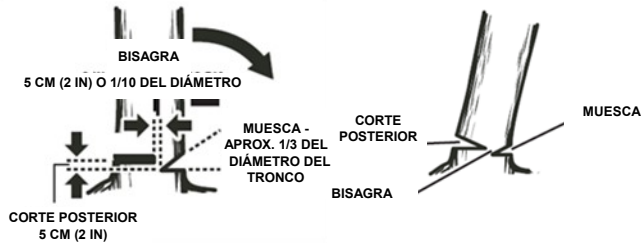
En árboles de gran diámetro, detenga el corte posterior antes de que sea lo suficientemente profundo para que el árbol caiga o se vuelva a asentar sobre el tronco cortado. A continuación, coloque cuñas blandas de plástico o madera dentro del corte de tal modo que no toquen la cadena. Las cuñas se pueden empujar hacia el interior, poco a poco, para que ayuden a levantar el árbol.



# FUNCIONAMIENTO

Apenas el árbol comienza a caer, detenga la motosierra y deposítela en el suelo de inmediato. Retírese por el camino despejado pero observe la escena en caso de que algo le obstruya el paso. Mire donde pisa y ponga atención a las ramas que cuelgan sobre su cabeza y que pueden desprenderse.

**⚠️ ADVERTENCIA:** Nunca corte hasta llegar a la muesca cuando realiza el corte posterior. La bisagra controla la caída del árbol; ésta es una sección de madera entre la muesca y el corte posterior.



## SERRADO

Serrado es el término que se utiliza para el corte de un árbol en trozos de una determinada longitud.

Cerciórese de tener una base de sustentación firme y el peso distribuido de manera uniforme en ambos pies.

Corte sólo un trozo por vez. Sujete los troncos pequeños con un caballete de aserrar o con otro tronco mientras realiza el corte.

Mantenga despejada el área de corte. Asegúrese de que no haya objetos que puedan entrar en contacto con la punta de la barra guía y la cadena durante el procedimiento de corte, ya que esto puede causar una fuerza de retroceso.

Al serrar en una pendiente, siempre ubíquese junto al tronco del lado ascendente del terreno. Para mantener el control completo de la motosierra al "penetrar" en el tronco, libere la presión de corte cerca del extremo del corte sin soltar los mangos de la herramienta. No permita que la cadena toque el suelo. Después de terminar de cortar, espere que la cadena se detenga antes de mover la motosierra. Siempre detenga el motor antes de trasladarse de un árbol a otro.

## SERRADO DE TRONCOS SOMETIDOS A TENSIÓN

Cuando el tronco está sujeto por toda su longitud, se debe cortar desde la parte superior; esto es un procedimiento de serrado superior.

Al sujetar el tronco por un extremo, se debe cortar un tercio del diámetro desde la parte inferior; a esto se le llama serrado inferior. Luego realice el corte final por serrado superior de modo que se una con el primer corte.

Al cortar el tronco, éste tiende a doblarse. Es por eso que la motosierra puede quedar atrapada o colgada del tronco si la profundidad del primer corte supera el tercio del diámetro del tronco.

Preste especial atención a los troncos sometidos a tensión para evitar que la barra y la cadena queden atrapadas.

**SERRADO SUPERIOR** – Comience por la parte superior del tronco con la sección inferior de la motosierra contra el tronco y ejerza una leve presión hacia abajo. Tenga en cuenta que la motosierra tiende a alejarse de usted.

**SERRADO INFERIOR** – Comience por la parte inferior del tronco con la sección superior de la motosierra contra el tronco y ejerza una leve presión hacia arriba. Durante el procedimiento de serrado inferior, la motosierra tiende a acercarse a usted. Prepárese para esta reacción y sostenga la herramienta con firmeza para mantener el control.

## CORTE DE RAMAS

Este procedimiento consiste en quitar las ramas de un árbol caído.

Trabaje lentamente y mantenga ambas manos en la motosierra con un agarre firme. Cerciórese de tener una base de sustentación firme y el peso distribuido de manera uniforme en ambos pies.

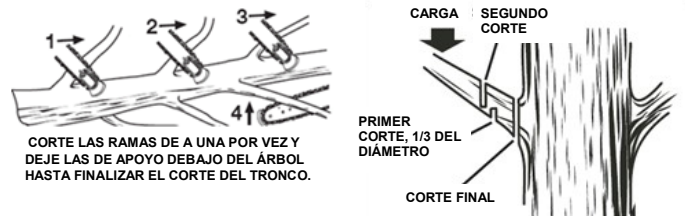
Deje las ramas más grandes como apoyo debajo del árbol para mantenerlo a cierta altura del suelo mientras realice los cortes.

Se recomienda cortar una rama por vez. Retire las ramas cortadas del área de trabajo periódicamente para mantener la zona limpia y segura.

Las ramas sometidas a cierta tensión deben cortarse de abajo hacia arriba para evitar que la cadena quede atascada.

El árbol debe estar entre usted y la motosierra durante el corte de las ramas. Corte desde el lado opuesto del árbol a la rama que está cortando.

**⚠️ ADVERTENCIA:** Nunca trepe a un árbol para cortar una rama o para podarlo. No debe ubicarse sobre escaleras, plataformas, troncos ni en ninguna posición que pueda provocar la pérdida del equilibrio o del control de la motosierra.



## PODA

La poda es el recorte de las ramas de un árbol vivo.

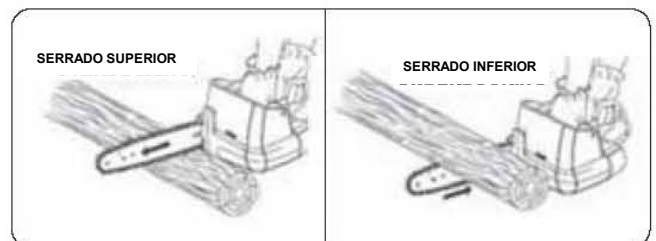
Trabaje lentamente y mantenga ambas manos en la motosierra con un agarre firme. Cerciórese de tener una base de sustentación firme y el peso distribuido de manera uniforme en ambos pies.

Al podar árboles, es importante no realizar el corte final junto al tronco principal hasta que haya cortado la rama lo suficiente para reducir el peso. Esto evita que se desprenda la corteza del tronco principal.

Corte un tercio de la rama desde la parte interior para el primer corte. El segundo corte debe realizarse desde la parte superior para que la rama se desprenda. A continuación, haga el corte final de manera uniforme y limpia contra el tronco principal, de modo que la corteza vuelva a crecer para sellar la lesión.

## PALOS QUE REBOTAN

Se trata de cualquier tronco, rama, tocón o vástago que está doblado por la aplicación de tensión de otra madera de tal modo que saltará si se corta o se extrae la madera que lo retiene. En un árbol caído, un tocón tiene una gran probabilidad de rebotar y volver a la posición erguida durante el procedimiento de serrado para separar el tronco del tocón. Tenga cuidado, estos palos son peligrosos porque podrían provocar lesiones graves e incluso la muerte.



# TENSIÓN DE LA CADENA Y MANTENIMIENTO

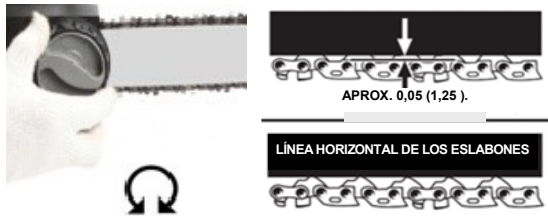
## TENSION DE LA CHAÎNE

Extraiga el paquete de baterías antes de ajustar la tensión de la cadena. Asegúrese de que el tornillo de la barra guía se pueda ajustar a mano, gire el tensor de la cadena en el sentido de las agujas del reloj para aplicar tensión en la cadena. Una cadena fría tendrá la tensión correcta si no hay holgura en la parte inferior de la barra guía, y si está ajustada pero se puede girar a mano sin que se trabaje.

Se debe volver a tensar la cadena cuando la línea horizontal de los eslabones impulsores sobresalga de la ranura de la barra.

Durante el funcionamiento normal de la motosierra, la temperatura de la cadena aumentará. Los eslabones impulsores de una cadena tibia con la tensión correcta colgarán aproximadamente a 0,050 pulgadas (1,25 mm) de la ranura de la barra. Asegúrese de tensar la cadena mientras está tibia, puede quedar demasiado ajustada al enfriarse. Verifique la "tensión en frío" antes del próximo uso.

NOTA: Una cadena nueva tiende a estirarse. Revise la tensión periódicamente y ajústela según sea necesario.



## MANTENIMIENTO DE LA CADENA

**PRECAUCIÓN:** Extraiga el paquete de baterías y asegúrese de que la cadena se haya detenido antes de realizar cualquier trabajo de mantenimiento en la motosierra.

Para lograr un corte uniforme y rápido, la cadena debe tener un mantenimiento adecuado. Es necesario afilar la cadena cuando la madera tiene astillas pequeñas y produce mucho polvo. Se debe aplicar fuerza para que la cadena penetre en la madera durante el corte; de lo contrario, la cadena cortará hacia un costado. Durante el mantenimiento de la cadena, recuerde:

- Un ángulo de limado incorrecto de la placa lateral puede aumentar el riesgo de retroceso intenso.
- La separación del puntal inclinado (calibre de profundidad).
- Si el calibre es demasiado bajo, aumenta el riesgo de fuerza de retroceso.
- Si no es lo suficientemente bajo, la capacidad de corte disminuye.
- Si los dientes de las cuchillas han golpeado objetos duros como clavos y piedras o se erosionaron por la acción del barro o la arena presentes en la madera, el proveedor del servicio técnico deberá afilar la cadena.

NOTA: Al reemplazar la cadena, inspeccione la rueda dentada para verificar si está gastada o dañada. Si existen signos de desgaste o daños en las áreas indicadas, reemplace la rueda dentada. Comuníquese con nuestra línea de ayuda de atención al 1-800-618-7474 para recibir asistencia.

## AFILADO DE LAS CUCHILLAS

Asegúrese de limar todas las cuchillas según los ángulos específicos y a la misma longitud; la rapidez en el corte se logra sólo cuando todas las cuchillas están uniformes.

Use guantes para protegerse las manos. Tense la cadena en la forma correcta antes del afilado. Consulte la sección "Tensión de la cadena" que aparece anteriormente en este manual. Realice el trabajo de limado en la mitad de la barra.

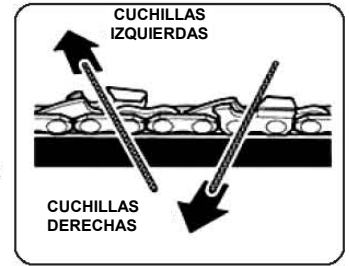
Utilice una lima redonda de 5/32 pulg. de diámetro y un soporte.

Mantenga el nivel de la lima con la placa superior del diente. No permita que la lima se hunda ni se balancee. Aplique una presión leve pero firme; dirija la lima hacia el ángulo frontal del diente.



Levante la lima del acero en cada pasada de vuelta.

Realice algunas pasadas firmes en cada diente. Lime todas las cuchillas izquierdas en una misma dirección. Luego siga con el otro lado y lime las cuchillas derechas en la dirección opuesta. De vez en cuando, retire las limaduras con un cepillo de alambre.



**ADVERTENCIA:** El afilado incorrecto de la cadena aumenta el riesgo de fuerza de retroceso.

**ADVERTENCIA:** La falta de reparación o reemplazo de una cadena dañada puede provocar lesiones de gravedad.

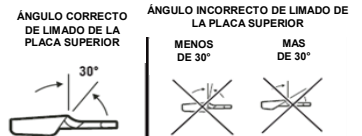
**ADVERTENCIA:** La cadena de la motosierra es muy filosa; por lo tanto, siempre utilice guantes de protección al realizar el mantenimiento de la cadena.

## ÁNGULO DE LIMADO DE LA PLACA SUPERIOR

Ángulo correcto de 30 grados: los soportes de la lima están señalizados con marcas guía para alinear la lima correctamente y lograr el ángulo adecuado de la placa superior.

Menos de 30 grados: se obtiene un corte cruzado.

Más de 30 grados: se obtiene un borde en bisel que pierde filo rápidamente.

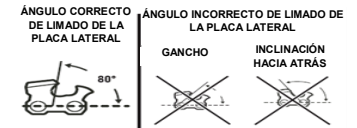


## ÁNGULO DE LA PLACA LATERAL

Correcto: 80 grados se producen automáticamente si se utiliza la lima del diámetro correcto en el soporte de la lima.

Gancho: se "traba" y pierde filo rápidamente. Aumenta el riesgo de retroceso. Esto se produce al usar una lima de un diámetro demasiado pequeño o que se sostiene en una posición baja.

Inclinación hacia atrás: necesita demasiada presión de alimentación, causa un desgaste excesivo a la barra y cadena. Esto se produce al usar una lima de un diámetro demasiado grande o que se sostiene en una posición muy alta.



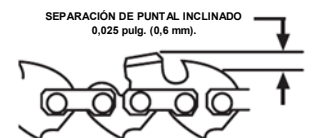
## SEPARACIÓN DEL CALIBRE DE PROFUNDIDAD

El calibre de profundidad se debe mantener a una distancia de 0,025 pulg. (0,6 mm). Utilice una herramienta para verificar las separaciones del calibre de profundidad. Después de limar la cadena, compruebe la separación del calibre de profundidad.

Utilice una lima plana y una empalmadora para bajar todos los calibres de manera uniforme. Existen en el mercado empalmadoras de calibre de profundidad

de 0,020 a 0,035 pulg. (0,5 mm a 0,9 mm). Utilice una empalmadora de 0,025 pulg. (0,6 mm). Después de bajar cada calibre de profundidad, restituya la forma original redondeando el frente. Tenga cuidado de no dañar los eslabones impulsores contiguos con el borde de la lima.

Los calibres de profundidad se deben ajustar con la lima plana en la misma dirección en que se afiló la cuchilla contigua con la lima redonda. Tenga la precaución de no tocar la cara de la cuchilla con la lima plana al ajustar los calibres de profundidad.





## CARGA DEL PAQUETE DE BATERÍAS

Cargue el paquete de baterías únicamente con el cargador provisto.

Deje por lo menos 60 minutos de tiempo de carga antes del primer uso de la motosierra.

Asegúrese de que el voltaje del suministro eléctrico sea el doméstico normal: 120 voltios, 60 Hz, CA únicamente.

El cargador de baterías debe funcionar en temperaturas que oscilen entre los 4 y 40 °C (39 y 104 °F).

La batería debe cargarse en un lugar fresco y seco.

Se pueden requerir de dos a tres ciclos de carga / descarga iniciales para lograr el tiempo / capacidad de ejecución máxima.

No intente abrir el cargador ni la unidad, ya que en su interior no existen piezas que el usuario pueda reparar. Comuníquese con nuestra línea de ayuda de atención al 1-800-618-7474 para recibir asistencia.

NO incinere los paquetes de baterías, aunque estén muy dañados o totalmente agotados, porque pueden estallar y provocar lesiones.

Utilice el cargador de baterías sólo bajo techo.

Desconecte el cargador del suministro eléctrico cuando no esté en uso para evitar daños en caso de que se produzca un pico de tensión.

Cuando la batería está cargada por completo, se puede almacenar de forma segura en temperaturas de hasta -20 °C (-4 °F) durante un período de cuatro semanas antes de que requiera una nueva carga. Cargue el paquete de baterías completamente cada 90 días.

Si transcurrido un tiempo determinado, el paquete de baterías se agota rápidamente después de un período de carga de 60 minutos, es necesario un cambio de batería.

Para prevenir un daño permanente a la batería, nunca la almacene descargada.

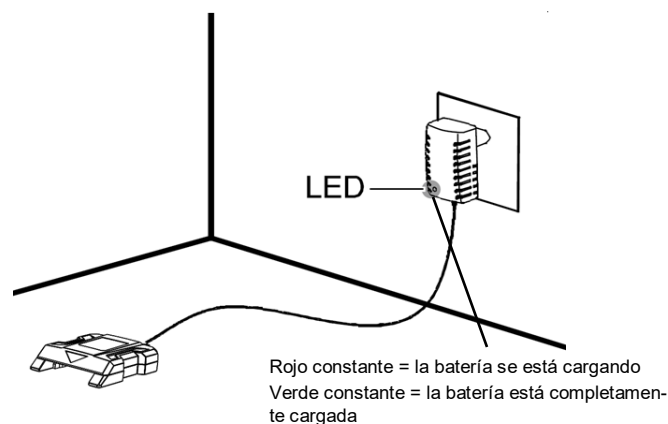
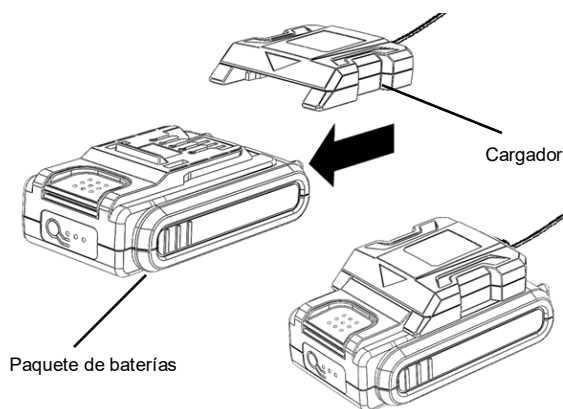
**ALMACENAMIENTO EN INVIERNO.** Recargue completamente antes del almacenamiento y luego nuevamente cada 90 días.

Debido a que la batería no tiene ningún efecto memoria, no es necesario que esté totalmente descargada para volver a cargarla.

Es posible que ocurra una pequeña pérdida de líquido de las pilas en condiciones de uso, carga o temperaturas extremas. Esto no indica una falla. No obstante, si el sello externo está roto y el líquido entra en contacto con la piel:

- Lávese con agua y jabón de inmediato.
- Neutralice el efecto con un ácido débil como jugo de limón o vinagre.
- Si el líquido de la batería penetra en los ojos, enjuáguese con agua limpia durante un mínimo de 10 minutos y obtenga asistencia médica inmediata.

## PARA CARGAR: VEA EL MANUAL DEL CARGADOR PARA INSTRUCCIONES COMPLETAS



## ELIMINACIÓN DE LA BATERÍA

Extraiga el paquete de baterías de la herramienta. Cubra los terminales con una cinta adhesiva resistente. No trate de destruir ni desarmar el paquete de baterías ni de extraer ninguno de sus componentes. Este producto contiene baterías de litio-ion, que se deben reciclar o desechar adecuadamente. Es posible que las leyes locales, estatales o federales prohíban eliminar estas baterías con los desechos comunes.



El sello RBRC que aparece en el paquete de baterías de litio-ion indica que los costos para reciclarlo al término de su vida útil ya han sido pagados por The Great States Corporation/American Lawn Mower Company. Es ilegal arrojar las baterías de litio-ion gastadas en un depósito municipal de residuos sólidos o en la basura. RBRC, en colaboración con The Great States Corporation/American Lawn Mower Company, ofrece una forma fácil y ecológica de reciclar las baterías de litio-ion gastadas. Simplemente comuníquese con un centro de reciclaje local o llame al 1.800.8.BATTERY para obtener información sobre dónde dejar las baterías gastadas.

## MANTENIMIENTO

**ANTES DE USAR:** Llene el depósito con aceite nuevo de buena calidad para barra formulado y recomendado para motosierras.

Si se cae la motosierra, inspeccione la cuidadosamente para comprobar si sufrió algún daño. Si la cuchilla está doblada, la caja tiene grietas o los mangos están rotos, o si detecta alguna otra condición que pudiera afectar el funcionamiento de la motosierra, comuníquese con nuestra línea de ayuda de atención al 1-800-618-7474 para recibir asistencia.

Extraiga el paquete de baterías de la motosierra y luego utilice únicamente un jabón suave y un paño húmedo para limpiar la herramienta. No permita que entre líquido en el interior de la herramienta ni sumerja ninguna pieza en líquido.

**⚠ IMPORTANTE:** A fin de garantizar la SEGURIDAD y la CONFIABILIDAD, las reparaciones, el mantenimiento y los ajustes deben llevarse a cabo siempre utilizando repuestos idénticos.

**⚠ PRECAUCIÓN:** Evite en todo momento que líquidos de frenos, gasolina, productos a base de petróleo, aceites penetrantes, etc. entren en contacto con piezas plásticas. Contienen químicos que pueden dañar, debilitar o destruir el plástico.

Asegúrese de que la funda plástica de las cuchillas esté colocada al guardar la herramienta.

Los fertilizantes y otros productos químicos para el jardín contienen agentes que aceleran la corrosión de los metales en forma considerable. No guarde la herramienta junto a fertilizantes ni productos químicos.

Para lograr un corte uniforme y rápido, la cadena debe tener un mantenimiento adecuado. Es necesario afilar la cadena cuando la madera tiene astillas pequeñas y produce mucho polvo, se aplica fuerza para que la cadena penetre en la madera durante el corte; de lo contrario, la cadena cortará hacia un costado. Consulte las instrucciones que se detallan anteriormente en este manual para obtener información acerca del afilado correcto de la cadena.

### SISTEMA DE LUBRICACIÓN

La cadena se lubrica automáticamente.

Use sólo aceite de cadena nuevo y específicamente formulado para motosierras. Nunca aplique aceite usado, de baja calidad o en cantidad insuficiente. Esto podría dañar la bomba, la barra y la cadena y, como consecuencia, provocar lesiones personales de gravedad. Revise el nivel de aceite antes de cada sesión de trabajo, recargue si hay sólo un cuarto de la capacidad total.

En caso de que el sistema de lubricación no funcione correctamente, verifique si el filtro y los conductos de aceite están libres de suciedad y obstrucciones. Si sigue sin funcionar, comuníquese con nuestra línea de ayuda de atención al 1-800-618-7474 para recibir asistencia.

### MANTENIMIENTO DE LA BARRA GUÍA

Cuando la barra guía exhibe signos de desgaste, inviértala en la herramienta para distribuir el desgaste y obtener el máximo de vida útil de la barra. La barra se debe limpiar cada vez que se utilice e inspeccionar para comprobar si se produjo algún daño o desgaste.

El biselado o la aparición de rebabas en los rieles de la barra es parte del proceso normal de desgaste. Estos defectos se deben pulir con una lima apenas aparezcan.

Es recomendable cambiar una barra que presente cualquiera de los siguientes defectos:

- Desgaste en el interior de los rieles, motivo por el cual la cadena se desvía para los costados.
- Barra guía doblada.
- Rieles rotos o agrietados.
- Rieles extendidos.

Además, las barras guía que tienen una rueda dentada en la punta se deben lubricar semanalmente con una jeringa de grasa para prolongar la vida útil de la barra guía. Lubrique una vez por semana con una jeringa de grasa en el orificio de lubricación.

Gire la barra guía y verifique que los orificios de lubricación y la ranura de la cadena estén libres de impurezas.

## SOLUCIÓN DE PROBLEMAS

Problema	Posible causa	Solution possible
- La unidad no funciona.	<ul style="list-style-type: none"> <li>- La batería no está instalada correctamente.</li> <li>- La batería no está cargada.</li> <li>- El botón de bloqueo no está accionado completamente.</li> <li>- La batería no hace contacto</li> </ul>	<ul style="list-style-type: none"> <li>- Verifique la instalación de la batería.</li> <li>- Verifique los requisitos de carga de la batería.</li> <li>- Asegúrese de oprimir bien el botón de bloqueo antes de accionar el gatillo.</li> <li>- Verifique que la batería esté bien colocada.</li> </ul>
- La barra y la cadena se recalientan y humean	<ul style="list-style-type: none"> <li>- Revise la tensión para comprobar si el ajuste es excesivo.</li> <li>- El tanque de aceite de la cadena está vacío.</li> <li>- La cadena está colocada hacia atrás.</li> </ul>	<ul style="list-style-type: none"> <li>- Regule la tensión de la cadena.</li> <li>- Recargue el tanque con aceite de cadena</li> <li>- Dé vuelta la cadena para que las cuchillas miren en la dirección correcta.</li> </ul>
- El motor funciona pero la cadena no gira	<ul style="list-style-type: none"> <li>- Tension excessive de la chaîne</li> <li>- Vérifier si le guide-chaîne et la chaîne sont endommagés</li> </ul>	<ul style="list-style-type: none"> <li>- Regule la tensión de la cadena.</li> <li>- Reemplace la barra y la cadena dañadas con repuestos idénticos.</li> </ul>

¡LLÁMENOS PRIMERO!

Llámenos primero si tiene preguntas sobre cómo operar o mantener su cadena. Vio a 1.800.618.7474 entre las 8:00 a.m. - 5:00 p.m. Oriental Hora estándar, u obtener asistencia en [scotts.americanlawnmower.com](http://scotts.americanlawnmower.com)

## PIEZAS Y SERVICIO

Para obtener piezas o servicio, llame al 1-800-618-7474 o visítenos en línea e [SCOTTS.AMERICANLAWNMOWER.COM](http://SCOTTS.AMERICANLAWNMOWER.COM). Asegúrese de proporcionar toda la información relevante cuando llame o visite.

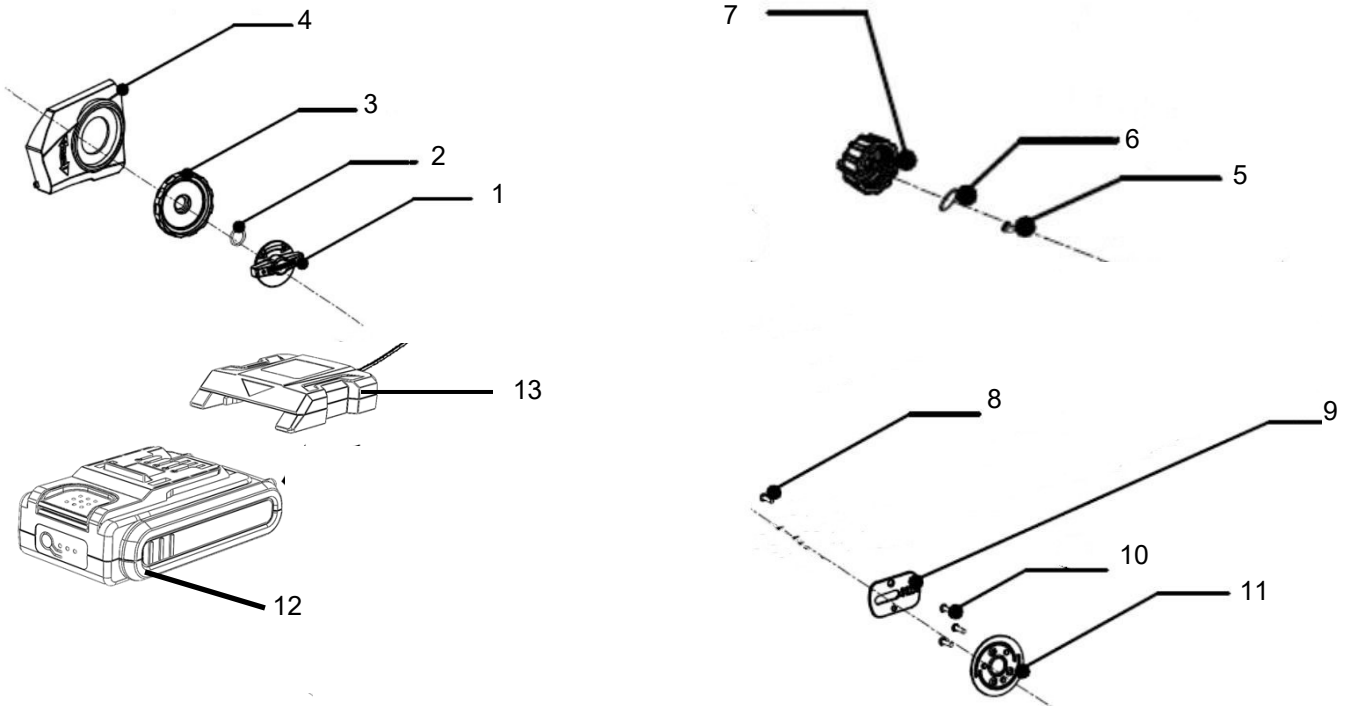
### PIEZAS DE REPARACIÓN (KITS / ARTÍCULOS)

El número de modelo / serie de esta herramienta se encuentra en una placa o etiqueta pegada a la carcasa. Registre el número de serie en el espacio que se proporciona a continuación.

NÚMERO DE MODELO   **LCS31020S**  

NÚMERO DE SERIE \_\_\_\_\_

Siempre mencione el número de modelo cuando ordene kits / artículos para esta herramienta.



Número	Kit / Número de artículo	Descripción	Cantidad
1, 2,3 & 4	LCS20-SCA-1	Kit de montaje de cubierta de rueda dentada	1
5, 6 & 7	LCS20-OTC-1	Kit de montaje de tapa de aceite	1
8, 9,10 & 11	LCS20-BCK-1	Kit de ensamblaje de barra y cadena de 10 "	1
12	BL82120	Batería de 20V	1
13	CHL82000	Cargador de 20V	1

## ¡LLÁMENOS PRIMERO!!

Llámenos primero si tiene preguntas sobre cómo operar o mantener su cadena. Vía a 1.800.618.7474 entre las 8:00 a.m. - 5:00 p.m. Oriental Hora estándar, u obtener asistencia en [scotts.americanlawnmower.com](http://scotts.americanlawnmower.com)



# MANUAL DEL OPERARIO

## MOTOSIERRA DE BATERÍA DE 20 VOLTIOS DE LITIO-ION

Copyright. Todos los derechos reservados.

### POLÍTICA DE GARANTÍA DE SCOTTS

- **Garantía limitada de 3 años** para todas las herramientas eléctricas de iones de litio de 20V Scotts a partir de la fecha de compra cuando se utilizan para uso personal, doméstico o familiar.
- **Garantía limitada de 1 año** para todas las baterías y cargadores de iones de litio de 20V Scotts a partir de la fecha de compra cuando se utilizan para uso personal, doméstico o familiar.

The Great States Corp. (GSC) garantiza al propietario original que este producto y pieza de servicio Scotts están libres de defectos de materiales y mano de obra y acepta reparar o reemplazar cualquier producto o pieza defectuosa durante el período de garantía indicado anteriormente.

- La garantía queda anulada si se utiliza con fines comerciales o industriales o cualquier otro uso inadecuado según lo determine GSC.
- La garantía no incluye las reparaciones necesarias debido al abuso o negligencia del operador (incluyendo la sobrecarga del producto más allá de su capacidad o la inmersión en agua), o la falta de montaje, operación, mantenimiento o almacenamiento del producto de acuerdo con las instrucciones del manual del propietario.
- Esta garantía no cubre
  - ◇ Elementos de desgaste, incluyendo pero no limitado a: correas y engranajes de transmisión, púas, cuchillas de cortadoras, hojas de segadora, cadenas de motosierra, hojas de trituración, ventiladores, cubiertas de carretes, hilo de desbrozadora, tubos de soplador y de vacío, barras guía, mangueras de alta presión, ruedas, manijas, barrenas, bolsas desgastadas, cables de alimentación y otros elementos que se someten a desgaste a lo largo del tiempo.
  - ◇ Desgaste de las baterías, incluyendo pero no limitado a: caídas, desgaste y rotura del cargador, exposición a oscilaciones extremas de temperatura (caliente o fría), batería dejada en el cargador demasiado tiempo, batería dejada sin cargar por demasiado tiempo, y mal uso o abuso de la batería.
- Esta garantía no cubre los daños causados por el frío, el calor, la lluvia, el exceso de humedad u otras condiciones ambientales extremas.
- Esta garantía no cubre el deterioro normal del acabado exterior ni el desgaste normal de los productos, incluidos, entre otros, los arañazos, grietas, abolladuras o daños causados por productos químicos externos.
- Esta garantía no es transferible y sólo se aplica a productos nuevos vendidos directamente por un distribuidor autorizado. Esta garantía no se aplica a ningún producto, nuevo o usado, comprado a través de canales de terceros no autorizados. Para obtener información sobre distribuidores autorizados, comuníquese con nuestra línea de ayuda de asistencia al cliente llamando al 1-800-618-7474 (de lunes a viernes, de 8 a. m. a 5 p. m., hora del este).
- Cualquier pérdida, daño o gasto incidental, indirecto o consecuente que pueda derivarse de cualquier defecto o mal funcionamiento de los productos no está cubierto por la garantía.
- La garantía no incluye la instalación, el montaje o los ajustes normales que se explican en el manual del operador. Los gastos de entrega del producto al vendedor y los gastos de devolución del producto o de las piezas de recambio al propietario no están cubiertos por la garantía.

#### Limitaciones adicionales de la garantía

Algunos estados no permiten la exclusión o limitación respecto de la duración de una garantía implícita; por lo tanto, es posible que las limitaciones enunciadas anteriormente no le correspondan. Los productos vendidos con averías o incompletos, vendidos en las condiciones que se encuentren, o vendidos como reacondicionados no están cubiertos por la garantía. Daños ni inconvenientes causados por envío, manipulación inadecuada, instalación incorrecta, voltaje incorrecto, cableado incorrecto, mantenimiento deficiente, modificaciones inadecuadas o el uso de accesorios o dispositivos de sujeción no recomendados específicamente no están cubiertos por la garantía.

**Todos los reclamos de garantía deben estar acompañados de un comprobante de compra, recibo de compra original con fecha. Para reclamos vaya a [scotts.americanlawnmower.com](http://scotts.americanlawnmower.com) o llame a nuestra línea de ayuda de asistencia al cliente al 1-800-618-7474 de lunes a viernes, de 8 a. m. a 5 p. m., hora del este.**



American Lawn Mower Company  
The Great States Corporation  
7444 Shadeland Station Way  
Indianapolis, IN 46256  
Estados Unidos  
Teléfono 1-800-618-7474  
[scotts.americanlawnmower.com](http://scotts.americanlawnmower.com)

Con el compromiso constante de mejorar la calidad, el fabricante se reserva el derecho de modificar los componentes o diseñar cambios cuando lo considere necesario.

Rev. 03/16/2022



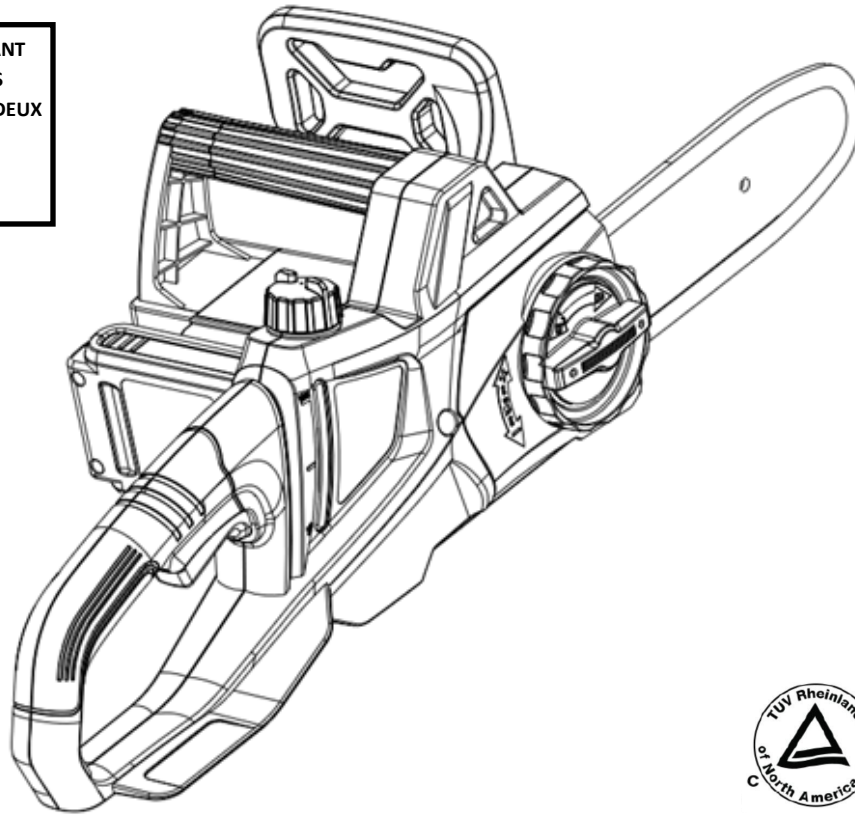
# MANUEL DE L'UTILISATEUR

## TRONÇONNEUSE SANS FIL 20 VOLTS BATTERIE AU LITHIUM-ION

Copyright. Tous droits réservés.

### Modèle LCS31020S

LA BATTERIE DOIT ÊTRE CHARGÉE AVANT LA PREMIÈRE UTILISATION. DES CYCLES INITIAUX DE CHARGE / DÉCHARGE DE DEUX À TROIS PEUVENT ÊTRE NÉCESSAIRES POUR OBTENIR UN TEMPS / CAPACITÉ MAXIMUM.



Chargeur conforme à CA est inclus (Modèle n ° CHL82000)

Votre tronçonneuse été conçue et fabriquée selon notre norme élevée de fiabilité, de facilité d'utilisation et de sécurité de l'utilisateur. Correctement entretenue, elle vous procurera des années de service intensif et sans soucis.



**AVERTISSEMENT** : afin d'éviter de se blesser, l'utilisateur doit lire et comprendre le manuel de l'utilisateur avant d'utiliser ce produit.

### AJOUTER LE RÉSERVOIR D'HUILE À L'HUILE AVANT LA PREMIÈRE UTILISATION

Merci pour votre achat.

**NE RENVOYEZ PAS CE PRODUIT AU MAGASIN. AVEZ-VOUS DES QUESTIONS CONCERNANT LE FONCTIONNEMENT, L'ASSEMBLAGE, LES PIÈCES OU LA RÉPARATION DU PRODUIT? ALLEZ SUR [SCOTTS.AMERICANLAWNMOWER.COM](http://SCOTTS.AMERICANLAWNMOWER.COM) OU COMPOSEZ LE 1-800-618-7474 DE 8 h 00 à 17 h 00, HEURE DE L'EST, POUR TOUTE ASSISTANCE.**

**CONSERVEZ CE MANUEL POUR POUVOIR LE CONSULTER ULTÉRIEUREMENT**



## AVERTISSEMENTS IMPORTANTS DE SÉCURITÉ



POUR RÉDUIRE LE RISQUE DE BLESSURE : avant toute utilisation, assurez-vous que toute personne utilisant cet outil a lu et compris toutes les consignes de sécurité et les autres informations contenues dans ce manuel.

- ATTENTION** : portez des protections appropriées des oreilles pendant l'utilisation. Dans certaines conditions et durées d'utilisation, le bruit émis par ce produit peut contribuer à une perte auditive.

Conservez ces instructions et relisez-les souvent avant d'utiliser le produit et d'instruire d'autres personnes quant à son utilisation.

- AVERTISSEMENT** : lors de l'utilisation d'outils électriques de jardinage, les consignes de sécurité de base doivent toujours être suivies afin d'éviter les incendies, décharges électriques et blessures, notamment :

**LIRE TOUTES LES INSTRUCTIONS**

### AVERTISSEMENTS RÈGLES DE SÉCURITÉ GÉNÉRALES RELATIVES AUX OUTILS ÉLECTRIQUES

- AVERTISSEMENT** : Lire tous les avertissements et toutes les instructions. Ne pas suivre l'ensemble des avertissements et des instructions peut entraîner une électrocution, un incendie ou des blessures graves.  
**Conservé les avertissements et les instructions à des fins de référence ultérieure.** Le terme « outil motorisé », utilisé dans tous les avertissements ci-dessous désigne tout outil fonctionnant sur secteur (câblé) ou sur piles (sans fil).

#### Sécurité du lieu de travail

- **Garder le lieu de travail propre et bien éclairé.** Les endroits encombrés ou sombres sont propices aux accidents.
- **Ne pas utiliser d'outils électriques dans des atmosphères explosives, par exemple en présence de liquides, gaz ou poussières inflammables.** Les outils électriques produisent des étincelles risquant d'enflammer les poussières ou vapeurs.
- **Garder les enfants et badauds à l'écart pendant l'utilisation d'un outil électrique.** Les distractions peuvent causer une perte de contrôle.

#### Sécurité électrique

- **Les fiches des outils électriques doivent correspondre à la prise secteur utilisée. Ne jamais modifier la fiche, de quelque façon que ce soit. Ne jamais utiliser d'adaptateurs de fiche avec des outils mis à la terre.** Les fiches et prises non modifiées réduisent le risque de choc électrique.
- **Éviter tout contact du corps avec des surfaces mises à la terre, telles que tuyaux, radiateurs, cuisinières et réfrigérateurs.** Le risque de choc électrique est accru lorsque le corps est mis à la terre.
- **Ne pas exposer les outils électriques à l'eau ou l'humidité.** La pénétration d'eau dans ces outils accroît le risque de choc électrique.
- **Ne pas maltraiter le cordon d'alimentation. Ne jamais utiliser le cordon d'alimentation pour transporter l'outil et ne jamais débrancher ce dernier en tirant sur le cordon. Garder le cordon à l'écart de la chaleur, de l'huile, des objets tranchants et des pièces en mouvement.** Un cordon endommagé ou emmêlé accroît le risque de choc électrique.
- **Pour les travaux à l'extérieur, utiliser un cordon spécialement conçu à cet effet.** Utiliser un cordon conçu pour l'usage extérieur pour réduire les risques de choc électrique.
- **S'il est nécessaire d'utiliser l'outil électrique dans un endroit humide, employer un dispositif interrupteur de défaut à la terre (GFCI).** L'utilisation d'un GFCI réduit le risque de décharge électrique.

#### Sécurité personnelle

- **Rester attentif, prêter attention au travail et faire preuve de bon sens lors de l'utilisation de tout outil électrique. Ne pas utiliser cet outil en état de fatigue ou sous l'influence de l'alcool, de drogues ou de médicaments.** Un moment d'inattention pendant l'utilisation d'un outil électrique peut entraîner des blessures graves.
- **Utiliser l'équipement de sécurité. Toujours porter une protection oculaire.** L'équipement de sécurité, tel qu'un masque filtrant, de chaussures de sécurité, d'un casque ou d'une protection auditive, utilisé dans des conditions appropriées réduira le risque de blessures.
- **Éviter les démarrages accidentels. S'assurer que le commutateur est en position d'arrêt avant de brancher l'outil.** Porter un outil avec le doigt sur son commutateur ou brancher un outil dont le commutateur est en position de marche peut causer un accident.

- **Retirer les clés de réglage avant de mettre l'outil en marche.** Une clé laissée sur une pièce rotative de l'outil peut causer des blessures.
- **Ne pas travailler hors de portée. Toujours se tenir bien campé et en équilibre.** Ceci permettra de mieux contrôler l'outil en cas de situation imprévue.
- **Porter une tenue appropriée. Ne porter ni vêtements amples, ni bijoux. Garder les cheveux, les vêtements et les gants à l'écart des pièces en mouvement.** Les vêtements amples, bijoux et cheveux longs peuvent se prendre dans les pièces en mouvement.
- **Si les outils sont équipés de dispositifs de dépoussiérage, s'assurer qu'ils sont connectés et correctement utilisés.** L'usage de ces dispositifs de dépoussiérage peut réduire les dangers présentés par la poussière.

#### Utilisation et entretien des outils électriques

- **Ne pas forcer l'outil. Utiliser l'outil approprié pour l'application.** Un outil approprié exécutera le travail mieux et de façon moins dangereuse s'il est utilisé dans les limites prévues.
- **Ne pas utiliser l'outil si le commutateur ne permet pas de le mettre en marche ou de l'arrêter.** Tout outil qui ne peut pas être contrôlé par son commutateur est dangereux et doit être réparé.
- **Débrancher l'outil et/ou retirer le bloc-piles avant d'effectuer des réglages, de changer d'accessoire ou de remiser l'outil.** Ces mesures de sécurité préventives réduisent les risques de démarrage accidentel de l'outil.
- **Ranger les outils motorisés hors de la portée des enfants et ne laisser personne n'étant pas familiarisé avec l'outil ou ces instructions utiliser l'outil.** Dans les mains de personnes n'ayant pas reçu des instructions adéquates, les outils sont dangereux.
- **Entretenir les outils motorisés. Vérifier qu'aucune pièce mobile n'est mal alignée ou bloquée, qu'aucune pièce n'est brisée et s'assurer qu'aucun autre problème ne risque d'affecter le bon fonctionnement de l'outil. En cas de dommages faire réparer l'outil avant de l'utiliser de nouveau.** Beaucoup d'accidents sont causés par des outils mal entretenus.
- **Garder les outils bien affûtés et propres.** Des outils correctement entretenus et dont les tranchants sont bien affûtés risquent moins de se bloquer et sont plus faciles à contrôler.
- **Utiliser l'outil, les accessoires et embouts, etc. conformément à ces instructions pour les applications pour lesquelles ils sont conçus, en tenant compte des conditions et du type de travail à exécuter.** L'usage d'un outil motorisé pour des applications pour lesquelles il n'est pas conçu peut être dangereux.

#### Utilisation et entretien de la pile

- **Ne recharger qu'avec l'appareil spécifié par le fabricant.** Un chargeur approprié pour un type de pile peut créer un risque d'incendie s'il est utilisé avec un autre type de pile.
- **Utiliser exclusivement le bloc-pile spécifiquement indiqué pour l'outil.** L'usage de tout autre bloc peut créer un risque de blessures et d'incendie.
- **Lorsque le bloc-piles n'est pas en usage, le garder à l'écart d'articles tels qu'attaches trombones, pièces de monnaie, clous, vis ou autres petits objets métalliques risquant d'établir le contact entre les deux bornes.** La mise en court-circuit des bornes de piles peut causer des étincelles, des brûlures ou un incendie.

## AVERTISSEMENTS RÈGLES DE SÉCURITÉ GÉNÉRALES RELATIVES AUX OUTILS ÉLECTRIQUES

- En cas d'usage abusif, du liquide peut s'échapper des piles. Éviter tout contact avec ce liquide. En cas de contact accidentel, rincer immédiatement les parties atteintes avec de l'eau. En cas d'éclaboussure dans les yeux consulter un médecin. Le liquide s'échappant des piles peut causer des irritations ou des brûlures.

### Dépannage

- Les réparations doivent être confiées à un technicien

qualifié, utilisant exclusivement des pièces identiques à celles d'origine. Ceci assurera le maintien de la sécurité de l'outil.

- Utiliser exclusivement des pièces identiques à celles d'origine pour les réparations. Se conformer aux instructions de la section Entretien de ce manuel. L'usage de pièces non autorisées ou le non-respect des instructions peut présenter des risques de choc électrique ou de blessures.

## AVERTISSEMENTS DE SÉCURITÉ RELATIFS AU SCIE À CHAÎNE

- Éloigner toutes les parties du corps de la scie à chaîne pendant que cette dernière fonctionne. Avant de démarrer la scie à chaîne, s'assurer que la scie à chaîne n'est pas en contact avec aucun objet. Un moment d'inattention pendant l'utilisation de la scie à chaîne peut causer l'enchevêtrement des vêtements ou toucher le corps.
- Toujours tenir la scie à chaîne en plaçant la main droite sur la poignée arrière et la main gauche sur la poignée avant. Tenir la scie à chaîne en inversant cette configuration des mains augmente le risque de blessures et ne devrait jamais être faite.
- Tenir l'outil électrique seulement par les surfaces de prises isolées, car la scie à chaîne peut toucher des câbles sous tension. Le contact d'une scie à chaîne avec un fil sous tension peut exposer les pièces métalliques de l'outil électrique et électrocuter l'utilisateur.
- Porter des lunettes de sécurité et d'un serre-tête antibruit. De plus, un équipement de protection pour la tête, les mains, les jambes et les pieds est recommandé. Des vêtements de protection adéquats réduiront le risque de blessures causées par les objets projetés ou le contact accidentel avec la scie à chaîne.
- Ne jamais utiliser une scie à chaîne en se tenant perché dans un arbre. L'utilisation d'une scie à chaîne en se tenant perché dans un arbre peut causer des blessures.
- Toujours garder les pieds bien appuyés et faire fonctionner la scie à chaîne seulement lorsque les pieds sont sur une surface fixe, sécuritaire et à niveau. Les surfaces glissantes ou instables, comme les échelles, représentent un risque de déséquilibre et de perte de contrôle de la scie à chaîne.
- Pendant la coupe d'une branche tendue, prendre garde au rebond. Lorsque la tension des fibres du bois est relâchée, la branche tendue peut frapper l'utilisateur et/ou provoquer la perte de contrôle de la scie à chaîne.
- Être très prudent lors de la coupe de buissons ou de jeunes arbres. Les branches fines peuvent se coincer dans la scie à chaînes et fouetter en direction de l'utilisateur et lui faire perdre l'équilibre.
- Transporter la scie à chaîne par la poignée avant, avec l'interrupteur positionné à OFF (éteint) et éloigné du corps. Toujours installer le couvercle du guide-chaîne pour transporter ou ranger la scie à chaîne. Une manipulation adéquate de la scie à chaîne réduira le contact accidentel habituel occasionné par le mouvement de la scie à chaîne.
- Suivre les instructions de lubrification, de tension de chaîne

et de changement d'accessoires. Une tension ou une lubrification inadéquate de la chaîne peut provoquer son bris ou augmenter le risque de rebond.

- Garder les poignées sèches, propres et exemptes d'huile ou de graisse. Les poignées grasses ou huileuses sont glissantes et peuvent provoquer une perte de contrôle.
- Couper seulement du bois. Ne pas utiliser la scie à chaîne pour des applications pour lesquelles elle n'est pas conçue. Par exemple : ne pas utiliser la scie à chaîne pour couper du plastique, de la maçonnerie ou des matériaux de construction non dérivés du bois. L'utilisation de la scie à chaîne pour des opérations autres que celles prévues représente un risque de situation dangereuse.

### Causes du rebond et précautions à prendre:

Le rebond peut survenir lorsque le nez ou la pointe du guide-chaîne touche un objet ou lorsque le bois se referme et se pince pendant la coupe de la scie à chaîne.

Dans certains cas, le contact de la pointe avec un objet peut causer une réaction inverse soudaine, projetant le guide-chaîne vers le haut et l'arrière, en direction de l'opérateur.

Le pincement de la chaîne au haut du guide-chaîne peut causer une projection rapide de la lame en arrière, en direction de l'utilisateur. Chacune de ces deux réactions peut entraîner la perte de contrôle de la scie et causer des blessures graves. Ne pas se fier exclusivement aux dispositifs de sécurité intégrés à la scie.

L'utilisateur de la scie à chaîne doit prendre un certain nombre de précautions pour éviter les accidents et les blessures.

Le rebond est causé par une utilisation et/ou des méthodes de travail incorrectes et il peut être évité en prenant les précautions suivantes :

- Conserver une prise ferme en plaçant les pouces et les doigts autour des poignées de la scie à chaîne, en gardant les deux mains sur la scie et en positionnant le corps et le bras de manière à résister à la force du rebond. S'il prend les précautions nécessaires, l'utilisateur peut contrôler la force du rebond. Ne pas échapper la scie à chaîne.
- Ne pas étirer le corps et ne pas faire de coupe au-dessus des épaules. Ceci aidera à prévenir le contact involontaire de la pointe et procurera un meilleur contrôle de la scie à chaîne lors de situations inattendues.
- Utiliser seulement les guide-chaîne et les chaînes de rechange mentionnées par le fabricant. Le remplacement des guide-chaîne et de chaînes inadéquates peut provoquer le bris et le rebond de la chaîne.
- Suivre les instructions d'affûtage et d'entretien fournies par le fabricant de la scie à chaîne. La diminution du limiteur de profondeur augmente le risque de rebond.

⚠ ATTENTION: Utilisez uniquement les types de batterie suivants: BL82120.

⚠ AVERTISSEMENT : Proposition 65 de l'État de la Californie : L'État de la Californie considère que certains produits chimiques contenus dans cet appareil sont à l'origine de cancers, de malformations congénitales et d'autres troubles de l'appareil reproducteur.

⚠ AVERTISSEMENT : L'État de Californie considère que des poussières et débris créés par l'utilisation de cet outil sont susceptibles de contenir des produits chimiques qui sont cancérigènes et à l'origine de malformations congénitales ou d'autres troubles de l'appareil reproducteur. Parmi ces produits chimiques, citons :

- les produits chimiques contenus dans les engrais;
- les composés d'insecticides, d'herbicides et de pesticides;
- l'arsenic et le chrome du bois traité chimiquement.

Votre risque d'exposition à ces produits chimiques varie en fonction de la fréquence à laquelle vous effectuez ce type de travail. Afin de réduire l'exposition à ces produits chimiques, travaillez dans un endroit bien aéré et portez un équipement de sécurité homologué, comme un masque antipoussières spécialement conçu pour filtrer les particules microscopiques.

⚠ AVERTISSEMENT: Cancer ET Troubles de l'appareil reproducteur - [www.P65Warnings.ca.gov](http://www.P65Warnings.ca.gov).

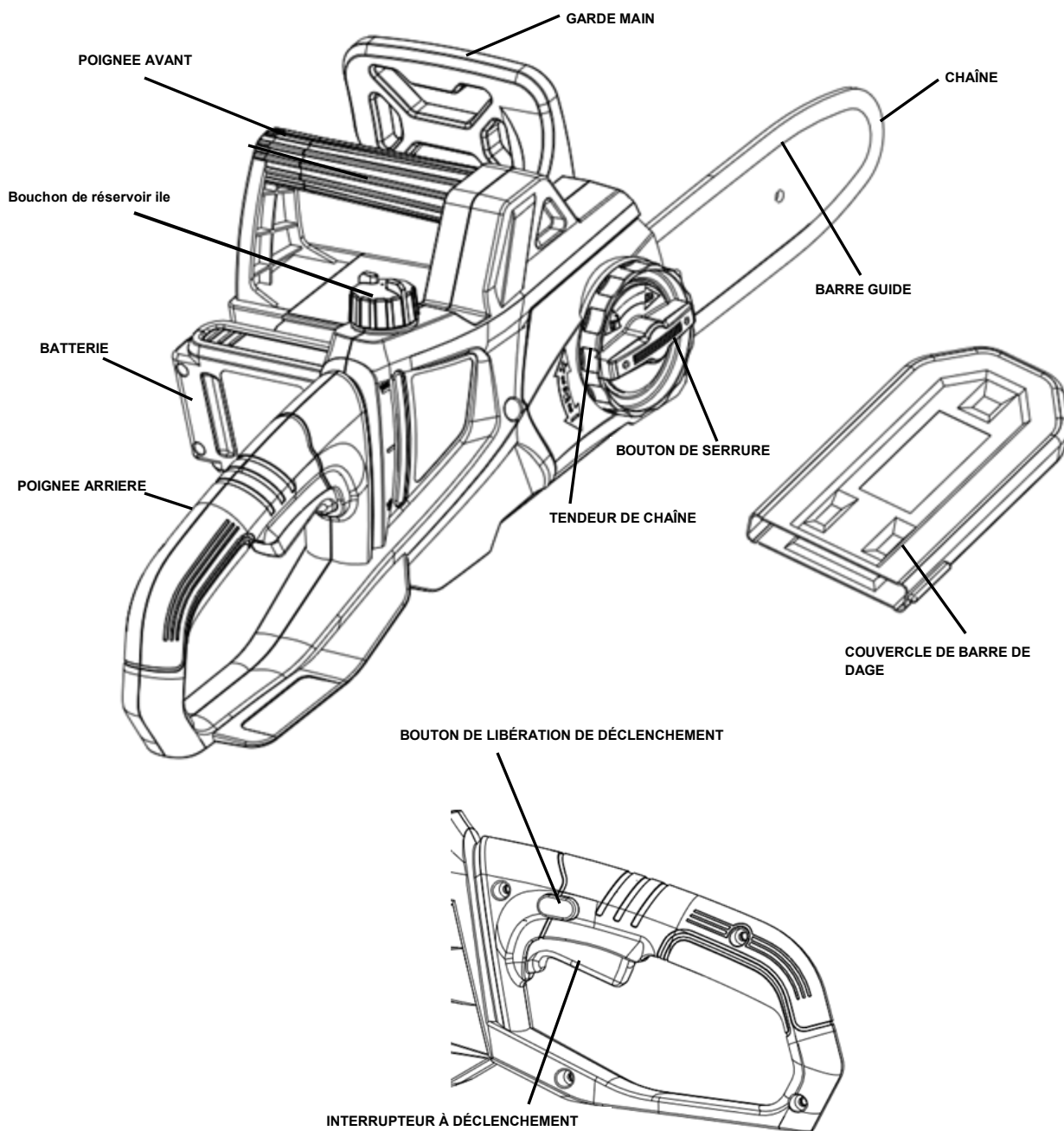
# CARACTÉRISTIQUES

## SPÉCIFICATIONS PRODUIT

### LCS31020S

Entrée.....	20 V / 2.0 Ah, CC uniquement
Longueur du guide-chaîne.....	Guide-chaîne de 25.4 cm (10 po.)(M1501040-1041TL)
Chaîne.....	CL15040
Poids.....	2.77 kg (6.1 lb)

- Système de pompe de graissage automatique - Étui de protection du guide-chaîne -





## ASSEMBLAGE

### DÉBALLAGE

Ce produit ne requiert aucun assemblage.

Enlevez avec précaution le produit et les accessoires du carton. Assurez-vous que tous les éléments figurant dans la liste du contenu sont inclus.

Inspectez soigneusement le produit pour vous assurer que rien n'a été cassé ou endommagé pendant le transport.

Ne jetez pas le matériau d'emballage tant que vous n'avez pas soigneusement inspecté et utilisé le produit de façon satisfaisante.

**AVERTISSEMENT** : si des pièces sont endommagées ou manquantes, n'utilisez pas ce produit tant que les pièces ne sont pas remplacées. Le non respect de cette consigne peut entraîner des blessures graves. Appelez le 1-800-618-7474 pour obtenir de l'aide.

### LISTE DU CONTENU

- Tronçonneuse et étui du guide-chaîne
- Batterie et chargeur
- Manuel de l'opérateur

## REMPACEMENT DU GUIDE-CHAÎNE ET DE LA CHAÎNE

**⚠ DANGER** : ne démarrez jamais le moteur avant d'avoir installé le guide-chaîne, la chaîne et le capot du guide-chaîne. Sans toutes ces pièces en place, l'embrayage peut être projeté ou exploser, exposant ainsi l'utilisateur à un risque de blessure grave.

**⚠ AVERTISSEMENT** : pour éviter une blessure grave, lisez et comprenez toutes les consignes de sécurité fournies.

**⚠ AVERTISSEMENT** : avant d'effectuer une tâche de maintenance, assurez-vous que l'outil est débranché de l'alimentation. Le non-respect de cette consigne peut entraîner des blessures graves.

**⚠ ATTENTION** : portez toujours des gants pour manipuler le guide-chaîne et la chaîne; ces composants sont coupants et peuvent contenir des ébavures.

**⚠ AVERTISSEMENT** : ne touchez jamais ni ne réglez la chaîne quand le moteur tourne. La chaîne de la tronçonneuse est très tranchante, portez toujours des gants de protection pour effectuer la maintenance de la chaîne afin d'éviter de graves lacérations possibles.

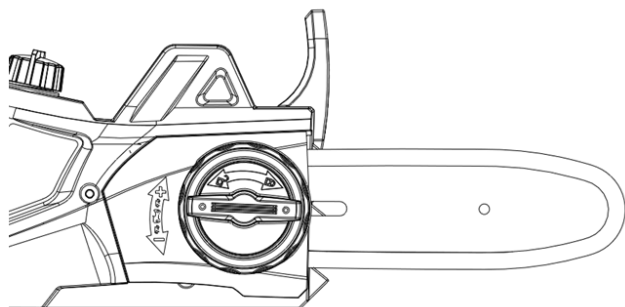
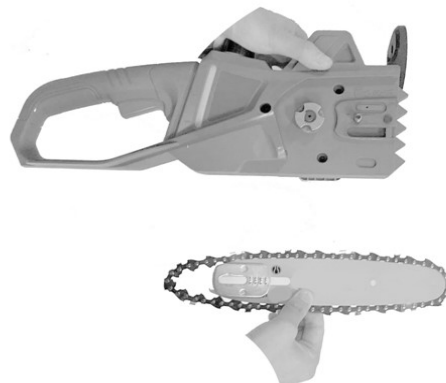
**REMARQUE** : utilisez uniquement des pièces de rechange identiques lors du remplacement du guide-chaîne et de la chaîne.

- Assurez-vous que la batterie est déposée de la tronçonneuse.
- Désérrez le bouton de verrouillage de la scie à chaîne dans le sens antihoraire.

- Enlever le couvercle de la chaîne.

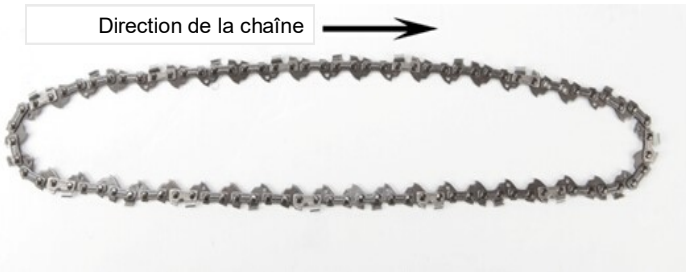


- En cas de première installation du guide-chaîne et de la chaîne, passez à l'étape 6. En cas de remplacement, déposez le guide-chaîne et l'ancienne chaîne de la surface de montage.

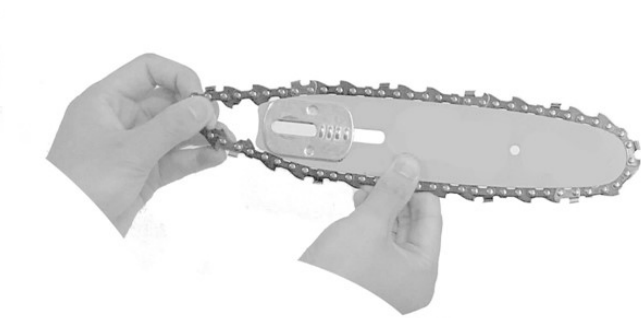


## REPLACEMENT DU GUIDE-CHAÎNE ET DE LA CHAÎNE

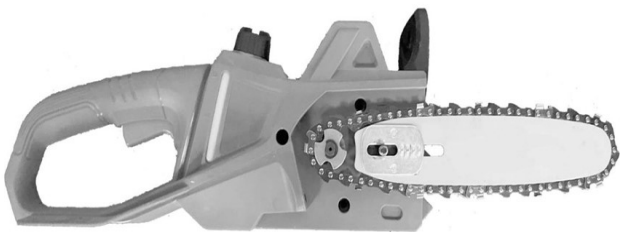
- Retirez l'ancienne chaîne du guide-chaîne.
- Étalez la nouvelle chaîne dans une boucle et redressez-la. Les gouges doivent faire face au sens de rotation de la chaîne. Si elles sont vers l'arrière, retournez la boucle.



- Placez les maillons d'entraînement de la chaîne dans la gorge du guide-chaîne.
- **REMARQUE** : assurez-vous du sens de la chaîne.



- Positionnez la chaîne afin qu'il se trouve une boucle à l'arrière du guide-chaîne.
- Maintenez la chaîne en position sur le guide et placez la boucle autour du pignon.
- Placez le guide-chaîne à ras contre la surface de montage afin que ses goujons soient dans la longue fente du guide-chaîne.  
**REMARQUE** : lors du placement du guide-chaîne sur les goujons du guide-chaîne, assurez-vous que le goujon de réglage se trouve dans l'orifice pour goujon de tension de la chaîne.

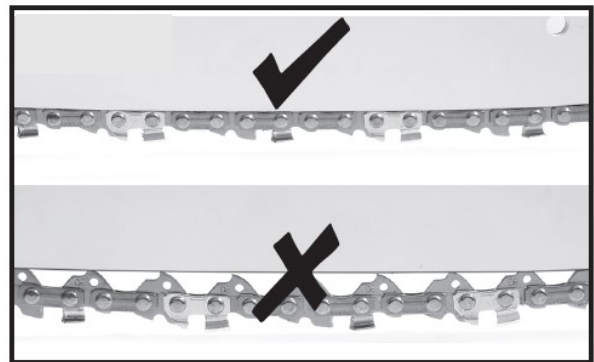


- Remettre le couvercle de chaîne en place. Serrer en tournant le bouton dans le sens horaire mais en permettant au guide de se déplacer pour le réglage de la tension.
- Eliminer le mou de la chaîne en tournant son tendeur dans le sens horaire jusqu'à ce qu'elle soit fermement en place contre le guide, avec les maillons d'entraînement dans la gorge.



- Serrer le bouton.

La chaîne est correctement tendue en l'absence de mou sous le guide-chaîne, la chaîne est serrée mais peut être tournée à la main sans se tordre.



**REMARQUE** : la chaîne ne tourne pas si elle est trop tendue. Desserrer légèrement le couvercle de chaîne du bouton de verrouillage et tourner le bouton de tension de chaîne 1/4 de tour vers la gauche. Relever l'extrémité du guide et serrer fermement le couvercle de chaîne du bouton de verrouillage. Assurez-vous que la chaîne tourne dans l'accroc.

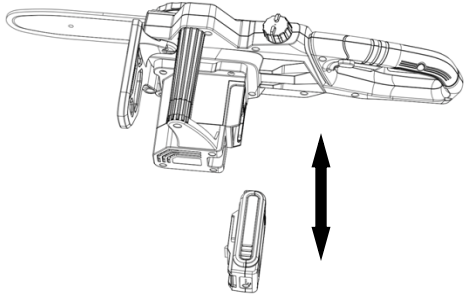
**REMARQUE** : les chaînes neuves ont tendance à s'allonger, vérifiez souvent la tension de la chaîne et tendez-la selon le besoin.

# UTILISATION

## POUR INSTALLER / ENLEVER LE BLOC DE BATTERIES

**AVERTISSEMENT :** retirez toujours le module batterie du produit lorsque vous assemblez des pièces, effectuez des réglages, effectuez un nettoyage ou que vous ne l'utilisez pas. Le retrait de la batterie empêchera tout démarrage accidentel pouvant causer des blessures graves.

Faites glisser la batterie dans la scie à chaîne. Assurez-vous que la batterie est correctement connectée. Pour retirer la batterie, appuyez sur le bouton de dégagement et faites glisser la batterie hors de l'outil.



## MISE EN MARCHÉ DE L'OUTIL

Appuyez sur le bouton de déverrouillage de la gâchette avec le pouce et pressez le contacteur gâchette avec les doigts. (Une fois que l'outil fonctionne, vous pouvez relâcher le bouton de verrouillage.) Pour arrêter l'outil, relâchez le contacteur.

**AVERTISSEMENT :** respectez les consignes suivantes pour éviter de vous blesser : lisez le manuel d'instructions avant toute utilisation et conservez-le. N'approchez pas les mains de la chaîne. Gardez les mains sur les poignées. N'essayez pas de couper trop loin.

Une bonne prise en main ferme de la tronçonneuse, à l'aide de deux mains, vous permet de conserver le contrôle de l'outil. Lors de l'utilisation de la tronçonneuse, placez la main droite sur la poignée arrière et la main gauche sur la poignée avant, avec les pouces et les doigts entourant les poignées de la tronçonneuse. Ne vous relâchez pas.

Veillez à suivre les instructions de maintenance quant à l'ajout d'huile dans la tronçonneuse.

**ATTENTION :** le réservoir d'huile de la chaîne doit être rempli avant l'utilisation. Une lubrification insuffisante de la chaîne peut endommager le guide-chaîne et la chaîne. N'utilisez qu'une huile pour guide-chaîne et chaîne de bonne qualité ou, si elle n'est pas disponible, une huile moteur SAE 30 inutilisée peut être remplacée. Une minute d'utilisation consomme environ 5 ml (0.15 fl. oz.) d'huile.

**REMARQUE :** il est normal que de l'huile s'écoule de la tronçonneuse quand elle n'est pas utilisée. Pour éviter cet écoulement, videz le réservoir d'huile après chaque utilisation. Lors du remisage de l'appareil pendant longtemps (3 mois ou plus), assurez-vous que la chaîne est légèrement lubrifiée; ceci empêchera la chaîne et le pignon du guide-chaîne de rouiller.

**AVERTISSEMENT :** n'utilisez pas la tronçonneuse avec n'importe quel type d'accessoire ou d'outil. Une telle utilisation pourrait être dangereuse.

## INSTRUCTIONS DE COUPE

**AVERTISSEMENT :** n'utilisez pas la tronçonneuse dans un arbre, sur une échelle ou sur un échafaudage; ceci est extrêmement dangereux

**ATTENTION :** la chaîne bouge encore après la mise hors tension. N'utilisez pas l'outil dans des conditions mouillées.

Faites extrêmement attention lors de la coupe de buissons de petite taille, d'arbrisseaux ou de branches sous tension, car les matériaux longs et tendus peuvent se prendre dans la tronçonneuse et fouetter dans votre direction, vous déséquilibrer en vous tirant ou revenir vers vous.

N'utilisez pas la tronçonneuse pour couper des plants et/ou des broussailles.

**AVERTISSEMENT :** ne laissez pas l'habitude d'utiliser ce type de produit vous rendre imprudent. N'oubliez pas qu'une fraction de seconde d'inattention suffit pour infliger des blessures graves.

Conservez une aire de coupe dégagée. Pour éviter un effet de recul, assurez-vous qu'aucun objet ne peut toucher l'extrémité du guide-chaîne et la chaîne pendant la coupe.

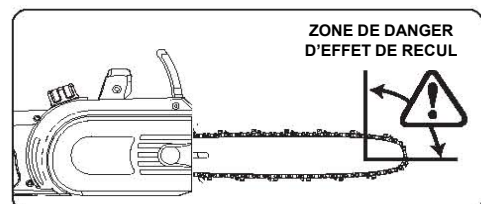
**AVERTISSEMENT :** un effet de recul peut se produire lorsque la chaîne en mouvement touche un objet au niveau de la partie supérieure de la pointe du guide-chaîne ou si le bois se referme et pince la tronçonneuse dans la coupe. Le contact au niveau de la partie supérieure de la pointe du guide-chaîne peut faire enfoncer la chaîne dans l'objet et la bloquer pendant un instant. Il en résulte une réaction inverse extrêmement rapide qui renvoie le guide-chaîne vers le haut et vers l'opérateur. Si la tronçonneuse est coincée par le haut du guide-chaîne, celui-ci peut être rapidement entraîné vers l'opérateur. Ces deux réactions peuvent chacune provoquer la perte du contrôle de la tronçonneuse et de graves blessures. Ne vous fiez pas exclusivement aux dispositifs de sécurité intégrés dans la tronçonneuse. En tant qu'utilisateur de tronçonneuse, vous devez prendre plusieurs mesures pour ne pas vous blesser durant vos travaux de coupe.

### Les précautions suivantes doivent être prises pour minimiser l'effet de recul :

1. Tenez toujours le manche et/ou les poignées fermement des deux mains quand l'appareil est en marche. Lors de l'utilisation de la tronçonneuse, placez la main droite sur la poignée arrière et la main gauche sur la poignée avant, avec les pouces et les doigts entourant les poignées de la tronçonneuse. Lors de l'utilisation d'une tronçonneuse, placez une main sur le manche et l'autre main sur la poignée moulée, avec les pouces et les doigts entourant le manche et la poignée. Une tenue ferme combinée à un positionnement de la poignée contre le corps vous aidera à conserver le contrôle de la tronçonneuse en cas d'effet de recul.
2. Assurez-vous que la zone de coupe ne comporte pas d'obstructions. Ne laissez pas l'extrémité du guide-chaîne toucher un billot, une branche, une clôture ou toute autre obstruction qui pourrait être heurtée lors de l'utilisation de la tronçonneuse.
3. Coupez toujours avec l'appareil tournant à plein régime. Pressez à fond la gâchette des gaz et maintenez une vitesse de coupe constante.

Poussée-traction - Cette force de réaction est toujours opposée au sens de déplacement de la chaîne au niveau du point de contact avec le bois. L'opérateur doit être prêt à contrôler la TRACTION lors de la coupe sur le bord inférieur du guide-chaîne et la POUSSÉE lors de la coupe sur le bord supérieur.

Portez des gants non glissants pour une tenue et une protection maximales.



# INSTRUCTIONS D'UTILISATION

## Position correcte pour la coupe

Votre poids doit être équilibré, avec les deux pieds sur un sol ferme.

Maintenez le bras gauche avec le coude verrouillé dans une position de « bras tendu » pour supporter toute force de recul. Votre main droite doit tenir la poignée et être positionnée fermement contre votre corps pour davantage de support.

Votre corps doit toujours se trouver à gauche de la ligne de la chaîne.

## PROCÉDURE DE COUPE DE BASE

**N'utilisez pas la tronçonneuse pour couper des arbrisseaux. Utilisez la tronçonneuse sans le manche.**

Les petits arbres jusqu'à 15-18 cm (6-7 po) de diamètre se coupent généralement en une seule coupe. Les branches les plus larges nécessitent une coupe d'entailles. Les entailles déterminent le côté de chute de l'arbre.

**AVERTISSEMENT** : si la branche commence à tomber du mauvais côté, ou si la scie est prise ou pendue pendant la chute, lâchez la scie et protégez-vous.

**AVERTISSEMENT** : regardez régulièrement la couronne de l'arbre pendant le trait d'abattage afin de vous assurer que l'arbre va tomber du côté souhaité.

Pratiquez la coupe sur quelques petites branches en suivant la technique suivante pour vous familiariser avec la scie avant d'entamer une opération importante de tronçonnage.

Prenez la bonne position en face du bois, la tronçonneuse à l'arrêt.



Pressez la gâchette et laissez la chaîne accélérer à pleine vitesse avant d'entamer la coupe.

Tenez **toujours** la tronçonneuse fermement des deux mains.

Faites tourner l'appareil pendant toute la coupe en maintenant une vitesse constante.

Laissez la chaîne couper pour vous; n'exercez qu'une légère pression vers le bas. Si vous forcez la coupe, le guide-chaîne, la chaîne ou l'outil risquent d'être endommagés.

Ne placez pas de pression sur la tronçonneuse à la fin de la coupe.

Lors de l'abattage du haut d'un petit arbre, maintenez tout le monde à une distance sûre de la zone de coupe. Pendant les opérations d'abattage, la distance de sécurité doit être égale à au moins le double de la hauteur des arbres les plus hauts de la zone d'abattage. Si l'arbre entre en contact avec une ligne électrique ou téléphonique, la société concernée doit immédiatement être notifiée.

Coupez toujours avec les deux pieds sur un sol ferme afin d'éviter d'être déséquilibré.

**N'étendez pas les bras au-dessus du niveau des épaules lors de l'utilisation de la tronçonneuse.**

**AVERTISSEMENT** : vérifiez si l'arbre comporte des branches endommagées ou mortes susceptibles de tomber et de vous heurter pendant l'abattage.

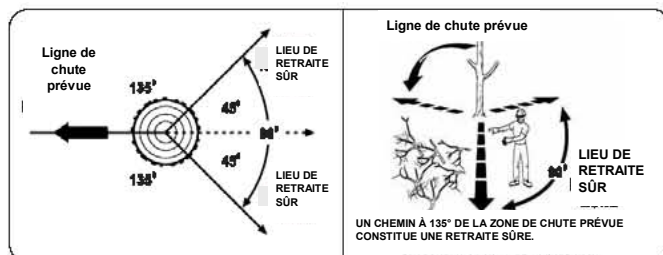
**AVERTISSEMENT** : ne coupez pas d'arbres à proximité de câbles ou de bâtiments.

## ABATTAGE D'UN ARBRE

Si des opérations de tronçonnage et d'abattage sont effectuées par deux personnes ou plus en même temps, l'abattage doit être séparé du tronçonnage d'une distance égale à au moins le double de la hauteur de l'arbre en cours d'abattage. N'abattez pas les arbres d'une manière susceptible de mettre une personne en danger, de toucher une ligne téléphonique ou électrique ou de provoquer des dégâts matériels. Si l'arbre entre en contact avec une ligne électrique ou téléphonique, la société concernée doit immédiatement être notifiée.

**AVERTISSEMENT** : vérifiez si l'arbre comporte des branches endommagées ou mortes susceptibles de tomber et de vous heurter pendant l'abattage.

Avant de commencer la coupe, déterminez un chemin d'évacuation (ou des itinéraires au cas où le chemin prévu serait bloqué); dégagez la zone immédiatement autour de l'arbre et assurez-vous qu'aucun obstacle n'est situé dans le chemin de retraite prévu. Un chemin à 135° de la zone de chute prévue constitue une retraite sûre. Le chemin de retraite doit passer derrière et en diagonale de la zone de chute prévue.



Avant de commencer l'abattage, prenez en compte la force et la direction du vent, l'inclinaison et l'équilibre de l'arbre et l'emplacement des grosses branches. Ces facteurs influencent la direction de la chute de l'arbre. N'essayez pas d'abattre un arbre sur une zone différente de sa zone de chute naturelle.

L'utilisateur de la tronçonneuse doit rester en amont, car l'arbre aura tendance à rouler ou à glisser vers le bas une fois abattu.

Enlevez la terre, les cailloux, l'écorce qui se détache, les clous, les agrafes et les fils de fer de l'emplacement des coupes d'abattage sur l'arbre.

Cette entaille doit être nettoyée pour obtenir une ligne droite. Afin de ne pas appliquer le poids du bois sur la tronçonneuse, effectuez toujours la coupe inférieure de l'entaille avant la coupe supérieure.

**AVERTISSEMENT** : n'abattez pas des arbres pendant les périodes de grand vent ou de fortes précipitations. Attendez que le danger soit passé avant d'effectuer l'abattage.

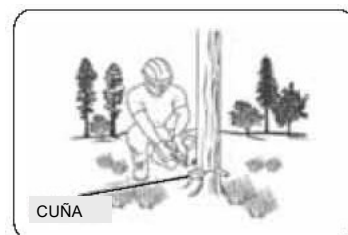
**AVERTISSEMENT** : ne coupez pas des arbres extrêmement penchés ou des grands arbres comportant des branches pourries, de l'écorce qui se détache ou des troncs creux. Faites pousser ou tirer ces arbres avec un équipement lourd et débitez-les.

## TRAIT D'ABATTAGE

Le trait d'abattage s'effectue toujours de niveau, à l'horizontale et à une distance minimum de 5 cm (2 po.) au-dessus de la coupe horizontale de l'entaille.

Laissez toujours une bande de bois entre l'entaille de direction et le trait d'abattage (environ 5 cm (2 pouces), ou 1/10 du diamètre de l'arbre). Il s'agit de la « charnière », qui contrôle la chute de l'arbre et empêche celui-ci de glisser, de pivoter ou de se détendre de la souche.

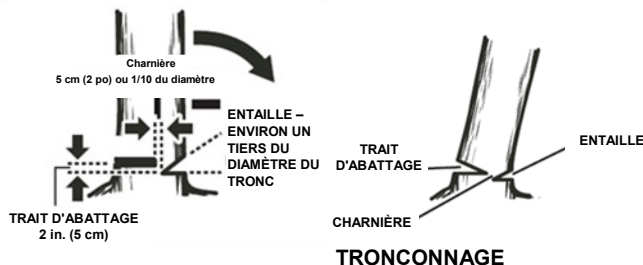
Cette tronçonneuse n'est pas conçue pour abattre des couronnes ou des troncs d'arbres de grand diamètre.



# UTILISATION

Dès que la branche commence à tomber, arrêtez la tronçonneuse et éloignez-vous immédiatement par le chemin de retraite. Observez l'action au cas où quelque chose tomberait vers vous. Faites attention aux parties de la couronne ou aux branches qui peuvent tomber et regardez où vous mettez les pieds.

**AVERTISSEMENT** : ne coupez jamais le trait d'abattage jusqu'à l'entaille de direction. La charnière contrôle la chute de l'arbre, il s'agit d'une section de bois entre l'entaille et le trait d'abattage.



Tronçonnage et le terme utilisé pour la découpe d'un arbre abattu en billots de la longueur souhaitée.

Assurez-vous toujours d'une bonne assise et que votre poids est réparti uniformément sur vos deux pieds.

Ne coupez qu'un billot à la fois. Soutenez les petits billots sur un chevalet de sciage ou sur un autre billot pour le tronçonnage.

Conservez une aire de coupe dégagée. Pour éviter un effet de recul, assurez-vous qu'aucun objet ne peut toucher l'extrémité du guide-chaîne et la chaîne pendant la coupe.

En cas de tronçonnage sur un terrain en pente, tenez-vous toujours en amont du billot. Afin de conserver tout le contrôle de la tronçonneuse lors de la coupe d'un billot, allégez la pression de coupe quand vous arrivez vers la fin de la coupe mais ne relâchez pas votre tenue des poignées de la tronçonneuse. Ne laissez pas la chaîne toucher le sol. Une fois la coupe terminée, attendez que la chaîne s'arrête avant de retirer la tronçonneuse. Arrêtez toujours le moteur avant de passer d'un arbre à l'autre.

## TRONÇONNAGE DE BILLOTS SOUS TENSION

Si le billot est soutenu sur toute sa longueur, il doit être coupé à partir du haut, soit un tronçonnage par le dessus.

Si le billot est soutenu sur une extrémité, coupez 1/3 du diamètre à partir du dessous, soit un tronçonnage par en dessous. Finissez ensuite la coupe en tronçonnant par le dessus pour rejoindre la première coupe.

Pendant la coupe du billot, il a tendance à se courber. La tronçonneuse peut être pincée ou coincée dans le billot si vous effectuez une première coupe plus profonde que le tiers du diamètre du billot.

Portez une attention particulière aux billots sous tension afin d'éviter le pincement du guide-chaîne et de la chaîne.

**TRONÇONNAGE PAR LE HAUT** – Commencez par le dessus du billot avec le bas de la chaîne contre celui-ci; exercez une légère pression vers le bas. Notez que la tronçonneuse aura tendance à tirer.

**TRONÇONNAGE PAR LE BAS** – Commencez par le dessous du billot avec le haut de la chaîne contre celui-ci; exercez une légère pression vers le haut. Lors du tronçonnage par le bas, la tronçonneuse aura tendance à pousser. Soyez prêt pour cette réaction et tenez fermement la tronçonneuse pour en conserver le contrôle.

## ÉBRANCHAGE

L'ébranchage consiste à enlever les branches d'un arbre abattu.

Travaillez lentement en tenant fermement la tronçonneuse des deux mains. Assurez-vous toujours d'une bonne assise et que votre poids est réparti uniformément sur vos deux pieds.

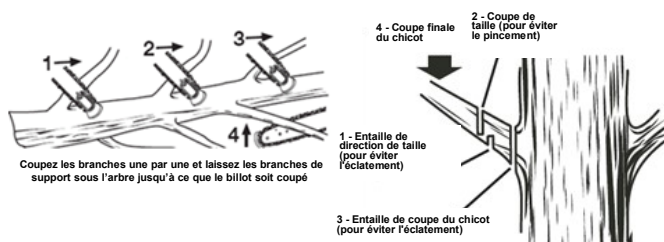
Laissez les grosses branches de support sous l'arbre pour maintenir l'arbre hors du sol pendant la coupe.

Ne coupez qu'une branche à la fois. Retirez fréquemment les branches coupées de la zone de travail afin de conserver cette zone propre et sûre.

Coupez les branches sous tension à partir du bas pour éviter de coincer la scie à long manche.

Gardez l'arbre entre vous et la tronçonneuse pendant l'ébranchage. Coupez à partir du côté de l'arbre opposé à la branche à couper.

**AVERTISSEMENT** : ne montez jamais dans un arbre pour couper des branches ou tailler. ne montez pas sur une échelle, une plate-forme, un billot ou toute autre position susceptible de vous faire perdre l'équilibre ou le contrôle de la tronçonneuse.



## ÉLAGAGE

L'élagage consiste à couper des branches d'un arbre vivant.

Travaillez lentement en tenant fermement la scie des deux mains. Assurez-vous toujours d'une bonne assise et que votre poids est réparti uniformément sur vos deux pieds.

Lors de l'élagage, il est important de ne pas effectuer la coupe de finition à côté de la branche principale ou du tronc tant que vous n'avez pas coupé la branche plus loin afin d'en réduire le poids. Ceci permet d'éviter d'arracher l'écorce de la branche principale.

Effectuez la première coupe à 15 cm du tronc, sous la branche. Utilisez le haut du guide-chaîne pour effectuer cette coupe. (Coupez un tiers du diamètre de la branche.)

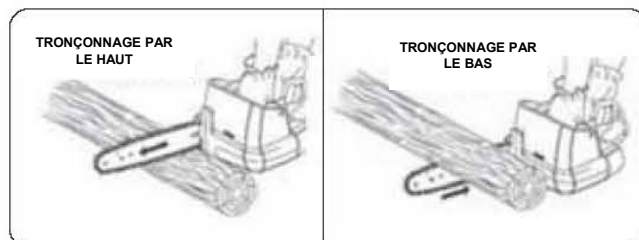
Éloignez-vous de 5 à 12 cm sur la branche. Effectuez la deuxième coupe sur le dessus de la branche. Continuez la coupe jusqu'à ce que la branche tombe.

Effectuez une troisième coupe, aussi près que possible du tronc de l'arbre et par le dessous du chicot de la branche. Utilisez le haut du guide-chaîne pour effectuer cette coupe. Coupez un tiers du diamètre du chicot.

Effectuez une quatrième coupe directement au-dessus de la troisième coupe. Coupez jusqu'à la jonction avec la troisième coupe. Ceci élimine le chicot de la branche.

## PERCHES FLÉCHIES

Une perche fléchie est une branche ou un arbrisseau qui est replié et retenu par un autre bois, de manière à se détendre quand le bois qui le maintient est coupé ou enlevé. faites attention aux perches fléchies, elles sont dangereuses. Elles peuvent entraîner des blessures graves, voire mortelles.



# TENSION ET MAINTENANCE DE LA CHAÎNE

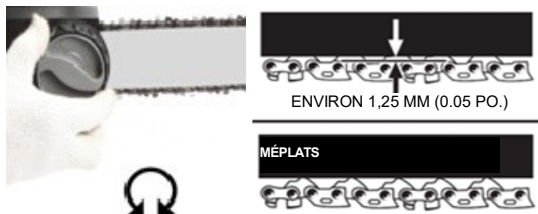
## TENSION DE LA CHAÎNE

Arrêtez le moteur avant de régler la tension de la chaîne. Assurez-vous que la vis du guide-chaîne est desserrée à un couple obtenu à la main, tournez le tendeur de chaîne dans le sens des aiguilles d'une montre pour tendre la chaîne. À froid, la chaîne est correctement tendue en l'absence de mou sous le guide-chaîne, la chaîne est tendue mais peut être tournée à la main sans se tordre.

La chaîne doit être tendue à nouveau quand les méplats sur les maillons d'entraînement sortent de la gorge du guide-chaîne.

La chaîne chauffe lors d'une opération normale de tronçonnage. Les maillons d'entraînement d'une chaîne chaude correctement tendue sortent d'environ 1,25 mm (0.050 po.) de la gorge du guide-chaîne. N'oubliez pas qu'une chaîne tendue quand elle était chaude peut se tendre excessivement quand elle refroidit. Vérifiez la « tension à froid » avant l'utilisation suivante.

REMARQUE : les chaînes neuves ont tendance à s'allonger, vérifiez souvent la tension de la chaîne et tendez-la selon le besoin.



## MAINTENANCE DE LA CHAÎNE

**ATTENTION** : déposez la batterie et assurez-vous que la chaîne est arrêtée avant d'effectuer toute intervention sur la tronçonneuse.

Pour une coupe en douceur et rapide, la chaîne doit être correctement entretenue. La chaîne doit être affûtée quand les copeaux sont fins et poudreux, la chaîne doit être forcée dans le bois pendant la coupe ou la chaîne coupe vers un côté. Lors de la maintenance de la chaîne, n'oubliez pas :

- un angle incorrect des rabots peut augmenter le risque d'un effet de recul grave.
- le dégagement des limiteurs de profondeur.
  - trop bas augmente la possibilité d'effet de recul.
  - insuffisamment bas diminue la capacité de coupe.
- si les dents de coupe touchent des objets durs comme des clous ou des cailloux, ou on été usées par de la boue ou du sable sur le bois, faites affûter la chaîne par un concessionnaire.

REMARQUE : vérifiez que le pignon d'entraînement n'est pas usé ou endommagé lors du remplacement de la chaîne. En cas de signes d'usure ou de dégâts dans les zones indiquées, faites remplacer le pignon d'entraînement par une personne qualifiée.

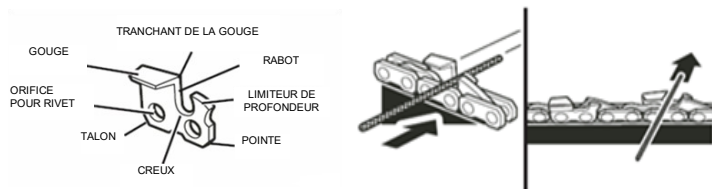
## AFFÛTAGE DES DENTS

Veillez à affûter les dents aux angles spécifiés et à la même longueur, car il n'est possible d'obtenir une coupe rapide qu'avec des dents uniformes.

Portez des gants de protection. Tendez la chaîne correctement avant l'affûtage. Reportez-vous à la section « Tension de la chaîne » plus haut dans ce manuel. Effectuez tout l'affûtage au milieu du guide-chaîne.

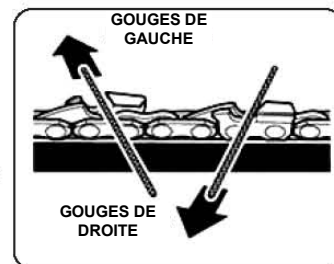
Utilisez une lime ronde de 4 mm (5/32 po) de diamètre et un porte-lime.

Maintenez la lime au niveau de la gouge de la dent. Ne laissez pas la lime plonger ou rouler. En appliquant une légère pression ferme, effectuez un mouvement vers le coin avant de la dent.



Relevez la lime de l'acier à chaque retour de celle-ci.

Effectuez quelques coups fermes sur chaque dent. Affûtez toutes les gorges de gauche dans un sens. Passez ensuite à l'autre côté et affûtez les gorges de droite dans le sens contraire. De temps en temps, retirez la limaille de la lime à l'aide d'une brosse métallique.



**AVERTISSEMENT** : un mauvais affûtage de la chaîne augmente la possibilité d'un effet de recul.

**AVERTISSEMENT** : l'absence de remplacement ou de réparation d'une chaîne endommagée peut provoquer des blessures graves.

**AVERTISSEMENT** : la chaîne de la tronçonneuse est tranchante, portez toujours des gants de protection pour effectuer la maintenance de la chaîne.

## ANGLE D'AFFÛTAGE DES GORGES

Correct à 30° – les porte-limes sont marqués avec des repères permettant d'aligner correctement la lime pour obtenir l'angle avec la gouge.

Moins de 30° – pour la coupe en travers.

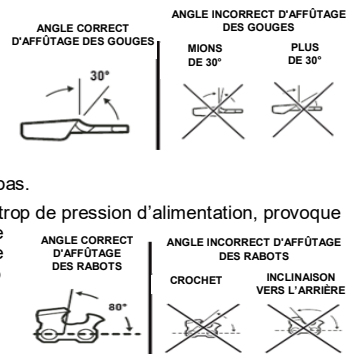
Plus de 30° – bord en biseau qui s'é mouisse rapidement

## ANGLE DES RABOTS

Correct – 80° automatiquement obtenus si une lime du diamètre correct est utilisée dans le porte-lime

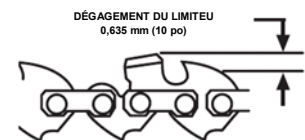
Crochet – « Accroche » et s'é mouisse rapidement. Augmente le potentiel d'effet de recul. Résulte de l'utilisation d'une lime d'un diamètre trop petit ou si la lime est tenue trop bas.

Inclinaison vers l'arrière – Nécessite trop de pression d'alimentation, provoque une usure excessive du guide-chaîne et de la chaîne. L'utilisation d'une lime d'un diamètre trop gros ou tenue trop haut



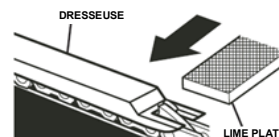
## DÉGAGEMENT DU LIMITEUR DE PROFONDEUR

Le limiteur de profondeur doit être maintenu à un dégagement de 0,6 mm (0,025 po.) Utilisez un outil pour limiteur de profondeur afin de vérifier les dégagements des limiteurs de profondeur.



Vérifiez les dégagements des limiteurs de profondeur à chaque affûtage.

Utilisez une lime plate et une dresseuse pour abaisser tous les limiteurs de façon uniforme. Des dresseuses sont disponibles en 0,5 mm à 0,9 mm (0,020 po. à 0,035 po.). Utilisez une dresseuse de 0,6 mm (0,025 po.). Après l'abaissement de chaque limiteur de profondeur, rétablissez la forme d'origine en arrondissant l'avant. Veillez à ne pas endommager les maillons d'entraînement adjacents avec le bord de la lime.



Les limiteurs de profondeurs doivent être réglés avec la lime plate dans le même sens que celui d'affûtage avec la lime ronde de la gouge adjacente. la lime plate ne touche pas la face des gorges lors de l'ajustement des limiteurs de profondeur.



## CHARGE DE LA BATTERIE

Ne chargez la batterie qu'avec le chargeur fourni.

Attendez au minimum 60 minutes de charge avant la première utilisation de la tronçonneuse.

Assurez-vous que l'alimentation est d'une tension domestique normale : 120 V, 60 Hz, CA uniquement

Le chargeur de batterie doit fonctionner à des températures comprises entre 39 et 104°F.

La batterie doit être chargée dans un endroit frais et sec.

Deux à trois cycles de charge / décharge initiaux peuvent être nécessaires pour atteindre une durée / capacité de fonctionnement maximale.

Ne tentez pas d'ouvrir le chargeur ou l'appareil. Ils ne contiennent pas de pièces réparables par le client. Appelez notre service clientèle au 1-800-618-7474 pour assistance.

NE brûlez PAS les batteries, même si elles sont sévèrement endommagées ou complètement usées. Elles peuvent exploser dans un feu et provoquer des blessures.

N'utilisez le chargeur de batterie qu'à l'intérieur.

Déconnectez le chargeur de l'alimentation quand il n'est pas utilisé afin d'éviter de l'endommager en cas de surtensions.

Lorsqu'elles sont entièrement chargées, les batteries peuvent être stockées de façon sûre à des températures pouvant atteindre -20 °C (-4 °F) pendant quatre semaines avant de devoir être chargées. Chargez complètement la batterie tous les 90 jours.

Si, avec le temps, la batterie s'épuise rapidement après une période complète de charge de 60 minutes, une batterie de rechange est nécessaire.

Pour éviter que la batterie ne subisse des dégâts permanents, ne la stockez jamais lorsqu'elle est déchargée.

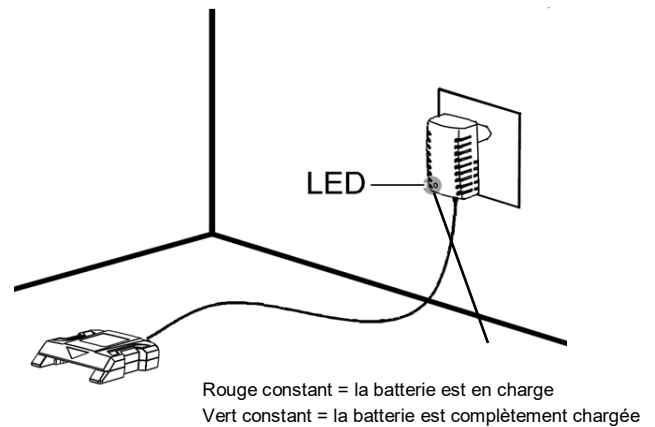
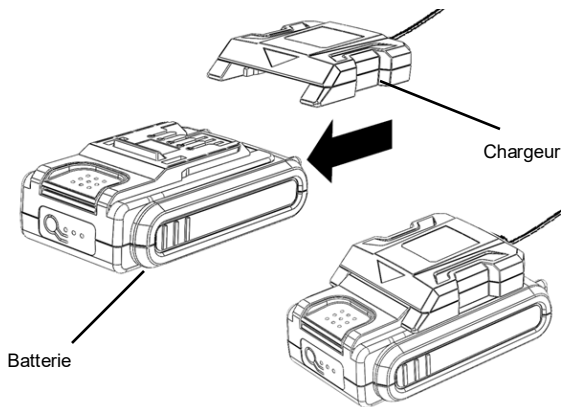
REMISAGE POUR L'HIVER - Rechargez entièrement avant le stockage, puis à nouveau tous les 90 jours.

La batterie ne développant pas de mémoire, il n'est pas nécessaire qu'elle soit entièrement déchargée avant de la recharger.

Une faible fuite de liquide des compartiments de batterie peut se produire dans des conditions extrêmes d'utilisation, de charge ou de températures. Ceci n'est pas le signe d'une défaillance. Toutefois, si le joint extérieur est rompu et que cette fuite atteint votre peau :

- Lavez rapidement avec du savon et de l'eau.
- Neutralisez avec un acide doux, comme du jus de citron ou du vinaigre.
- Si du liquide de batterie atteint les yeux, rincez-les avec de l'eau pure pendant un minimum de 10 minutes et appelez immédiatement un médecin.

## CHARGE DE LA BATTERIE



### MISE AU REBUT DE LA BATTERIE

Retirez la batterie de la tronçonneuse. Couvrez les bornes avec du ruban adhésif résistant. Ne tentez pas de détruire ou de démonter la batterie ou d'enlever des composants. Ce produit contient des batteries au lithium-ion qui doivent être recyclées ou éliminées de façon appropriée. Les lois locales, provinciales ou fédérales peuvent interdire l'élimination de ces batteries dans les déchets ménagers.



Le sceau RBRC sur la batterie au lithium-ion indique que le coût du recyclage de la batterie à la fin de sa durée de vie utile a déjà été payé par The Great States Corporation/American Lawn Mower Company. Il est illégal de placer des batteries lithium-ion usagées dans les ordures ménagères. RBRC, en coopération avec The Great States Corporation/American Lawn Mower Company, fournit un moyen facile et écologique de recycler les batteries lithium-ion usagées. Contactez votre centre de recyclage local ou appelez le 1-800BATTERY pour des renseignements sur le lieu où vous pouvez apporter votre batterie morte.

# ENTRETIEN

**AVANT UTILISATION** : remplissez le réservoir d'huile avec de l'huile de guide et de chaîne fraîche et de bonne qualité. De l'huile moteur fraîche de densité SAE30 peut servir de remplacement.

Si l'appareil tombe, vérifiez avec attention s'il est endommagé. Si la lame est tordue, le carter fendu ou les poignées cassées ou si vous détectez un autre problème pouvant affecter le fonctionnement de la tronçonneuse, contactez votre centre de réparation agréé local pour qu'elle soit réparée avant de la réutiliser.

Assurez-vous que la batterie est détachée de l'appareil, n'utilisez ensuite que du savon doux et un chiffon mouillé pour nettoyer l'outil. Ne laissez jamais de liquide entrer dans l'outil; n'immergez jamais une partie de l'outil dans du liquide.

**⚠ IMPORTANT** : pour garantir la SÉCURITÉ et la FIABILITÉ du produit, les réparations, la maintenance et le réglage doivent être effectués par une personne qualifiée qui utilise toujours des pièces de rechange identiques.

**⚠ ATTENTION** : ne laissez jamais de liquide de frein, d'essence, de produits à base de pétrole, d'huiles pénétrantes, etc. entrer en contact avec les pièces en plastique car ils contiennent des produits chimiques pouvant endommager, affaiblir ou détruire le plastique.

Assurez-vous que l'étui de lame en plastique est en place lors du rangement.

Les engrais et autres produits chimiques de jardinage contiennent des agents qui accélèrent fortement la corrosion des métaux. Ne rangez pas l'outil sur ou à côté d'engrais ou de produits chimiques.

Pour une coupe en douceur et rapide, la chaîne doit être correctement entretenue. La chaîne doit être affûtée quand les copeaux sont fins et poudreux, la chaîne doit être forcée dans le bois pendant la coupe ou la chaîne coupe vers un côté. Reportez-vous aux instructions figurant plus haut dans ce manuel d'instructions pour l'affûtage correct de la chaîne.

## SYSTÈME DE LUBRIFICATION

La chaîne est automatiquement lubrifiée.

N'utilisez qu'une huile de guide et de chaîne fraîche, de l'huile moteur fraîche de densité SAE 30 peut la remplacer. N'utilisez jamais de l'huile usagée, de faible qualité ou en quantité insuffisante. Ceci pourrait endommager la pompe, le guide-chaîne et la chaîne et provoquer des blessures graves.

Vérifiez le niveau d'huile avant chaque séance de travail, effectuez l'appoint s'il est inférieur à 1/4.

Si le système de lubrification ne fonctionne pas correctement, vérifiez si le filtre à huile et les passages d'huiles sont propres et exempts d'obstructions. Si le problème n'est pas résolu, appelez notre service clientèle au 1-800-618-7474 pour assistance.

## MAINTENANCE DU GUIDE-CHAÎNE

Si le guide-chaîne montre des signes d'usure, inversez-le sur la tronçonneuse afin de répartir l'usure pour une durée de vie optimale du guide-chaîne. Le guide-chaîne doit être nettoyé et vérifié quant à l'usure et les détériorations lors de chaque journée de travail.

Tout guide-chaîne avec un des défauts suivants doit être remplacé.

- Usure à l'intérieur des rails du guide-chaîne qui permet à la chaîne de sortir vers le côté.
- Guide-chaîne tordu
- Rails fendus ou cassés
- Rails écartés

Des plus, les guide-chaînes dont l'extrémité est dotée d'un pignon doivent être lubrifiés toutes les semaines à l'aide d'une seringue à graisse afin d'allonger la durée de vie du guide-chaîne. Graissez une fois par semaine dans l'orifice de lubrification à l'aide d'une seringue à graisse.

Tournez le guide-chaîne et vérifiez que les orifices de lubrification et la gorge de la chaîne ne comportent pas d'impuretés.

## DÉPANNAGE

Problème	Cause possible	Solution possible
		- Vérifier que la batterie est insérée à fond
- L'appareil ne fonctionne pas	<ul style="list-style-type: none"><li>- La batterie ne fait pas contact</li><li>- Le déverrouillage n'est pas activé à fond</li><li>- La batterie n'est pas correctement installée</li><li>- La batterie n'est pas chargée</li></ul>	<ul style="list-style-type: none"><li>- Vérifier que le déverrouillage est à fond vers l'avant avant d'activer le contacteur</li><li>- Vérifier l'installation de la batterie</li><li>- Vérifier les impératifs de charge de la batterie</li></ul>
- Le guide-chaîne et la chaîne chauffent et fument	<ul style="list-style-type: none"><li>- Vérifier si la chaîne est excessivement tendue</li><li>- Le réservoir d'huile de chaîne est vide</li><li>- Chaîne installée à l'envers</li></ul>	<ul style="list-style-type: none"><li>- Régler la tension de la chaîne</li><li>- Remplir le réservoir d'huile de chaîne</li><li>- Inverser la chaîne pour que les gouges soient dans la direction</li></ul>
- Le moteur tourne mais pas la chaîne	<ul style="list-style-type: none"><li>- Tension excessive de la chaîne</li><li>- Vérifier si le guide-chaîne et la chaîne sont endommagés</li></ul>	<ul style="list-style-type: none"><li>- Régler la tension de la chaîne</li><li>- Remplacer le guide-chaîne et la chaîne avec des pièces de rechange identiques</li></ul>

## APPELEZ-NOUS D'ABORD!!

Appelez-nous d'abord pour toute question concernant le fonctionnement ou la maintenance de votre tronçonneuse au 1.800.618.7474 entre 8h00 et 17h00, heure normale de l'Est, ou obtenez de l'aide sur [scotts.americanlawnmower.com](http://scotts.americanlawnmower.com).



## PIÈCES ET SERVICE

Pour les pièces ou le service, veuillez appeler le 1-800-618-7474 ou visitez notre site Web à l'adresse [SCOTTS.AMERICANLAWNMOWER.COM](http://SCOTTS.AMERICANLAWNMOWER.COM). Assurez-vous de fournir toutes les informations pertinentes lorsque vous appelez ou visitez.

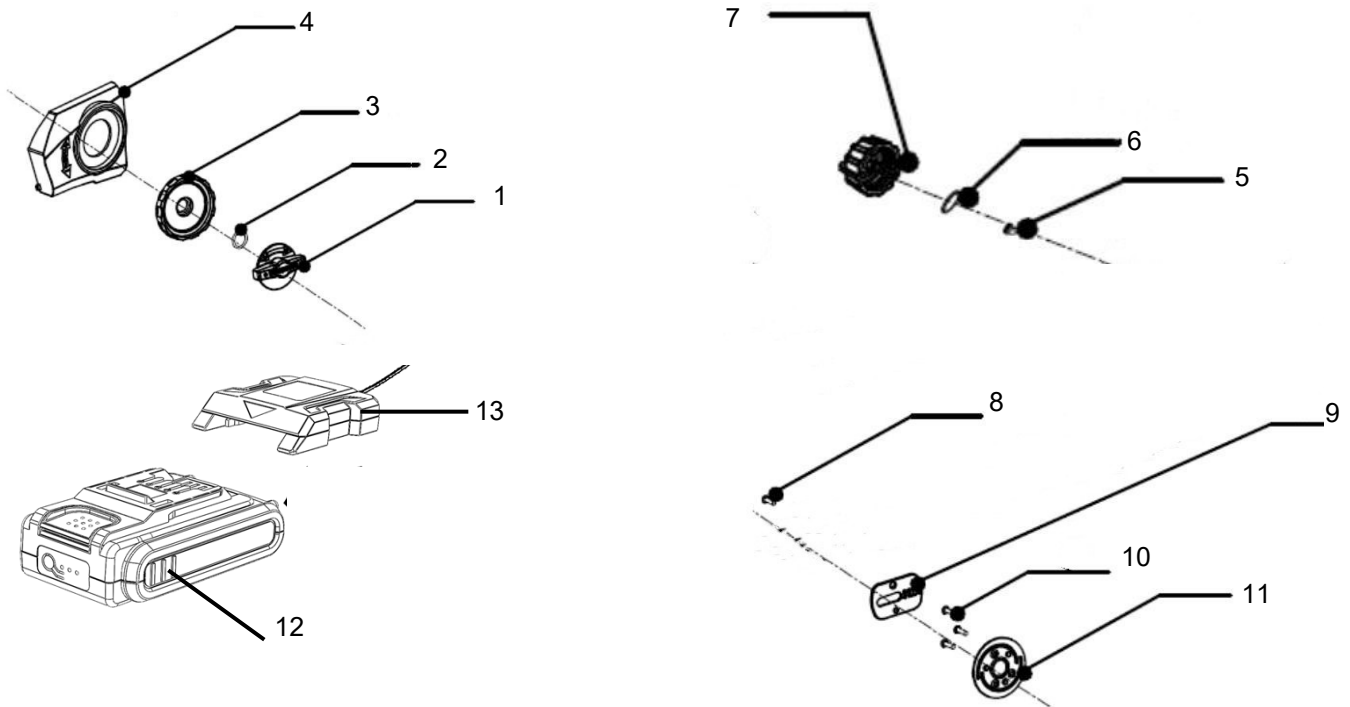
### PIÈCES DE RÉPARATION (KITS / ARTICLES)

Le numéro de modèle/série de cet outil se trouve sur une plaque ou une étiquette attachée au boîtier. Veuillez enregistrer le numéro de série dans l'espace prévu ci-dessous.

NUMÉRO DE MODÈLE     **LCS31020S**    

NUMÉRO DE SÉRIE \_\_\_\_\_

Toujours mentionner le numéro de modèle lors de la commande de kits / articles pour cet outil.



Nombre	Kit / article	Nombre	La description	Quantité
1, 2,3 & 4	LCS20-SCA-1		Kit d'assemblage de couvercle de pignon	1
5, 6 & 7	LCS20-OTC-1		Kit d'assemblage de bouchon d'huile	1
8, 9,10 & 11	LCS20-BCK-1		Kit de montage barre et chaîne de 10 "	1
12	BL82120		Batterie 20V	1
13	CHL82000		Chargeur 20V	1

## APPELEZ-NOUS D'ABORD!!

Appelez-nous d'abord pour toute question concernant le fonctionnement ou la maintenance de votre tronçonneuse au 1.800.618.7474 entre 8h00 et 17h00, heure normale de l'Est, ou obtenez de l'aide sur [scotts.americanlawnmower.com](http://scotts.americanlawnmower.com).



# MANUEL DE L'UTILISATEUR

## TRONÇONNEUSE SANS FIL 20 VOLTS BATTERIE AU LITHIUM-ION

Copyright. Tous droits réservés.

### POLITIQUE DE GARANTIE SCOTTS

- **Garantie limitée de 3 ans** sur tous les outils électriques au lithium-ion 20 V Scotts à compter de la date d'achat lorsqu'ils sont utilisés à des fins personnelles, domestiques ou familiales.
  - **Garantie limitée de 1 an** sur toutes les batteries et chargeurs au lithium-ion 20 V Scotts à compter de la date d'achat lorsqu'ils sont utilisés à des fins personnelles, domestiques ou familiales.
- The Great States Corp. (GSC) garantit au propriétaire original que ce produit et cette pièce de rechange Scotts sont exempts de défauts de matériaux et de fabrication et accepte de réparer ou remplacer tout produit ou pièce défectueux pendant la période de garantie comme indiqué ci-dessus.
- La garantie est annulée en cas d'utilisation du produit à des fins commerciales ou industrielles ou à toute fin inappropriée comme déterminé par GSC.
  - La garantie ne comprend pas les réparations nécessaires découlant d'un mauvais usage ou d'une négligence de l'utilisateur (y compris surcharger le produit au-delà de sa capacité ou l'immerger dans l'eau), ou le manquement à assembler, opérer, entretenir ou ranger le produit selon les instructions du manuel du propriétaire.
  - Cette garantie ne couvre pas
    - ◇ L'usure des articles, notamment les - courroies et engrenages d'entraînements, dents, lames de coupe, lames de tondeuse, chaînes de scie, lames à déchiqueter, ventilateurs de souffeuse, couvercles de dévidoir, ligne de coupe, tubes de souffeuse et d'aspiration, barres-guides, tuyaux à haute pression, roues, poignées, tarières, sacs usées, câbles électriques et autres articles sujets à l'usure au fil du temps.
    - ◇ L'usure des batteries, y compris notamment - les chutes, l'usure et le bris sur le chargeur, l'exposition à des changements extrêmes de températures (chaud ou froid), la batterie laissée trop longtemps sur le chargeur, la batterie laissée trop longtemps non chargée, et une mauvaise utilisation ou un mauvais traitement de la batterie.
  - Cette garantie ne couvre pas les dommages causés par le froid, la chaleur, la pluie, l'humidité excessive et les autres conditions environnementales extrêmes.
  - Cette garantie ne couvre pas la détérioration normale de la finition extérieure ou l'usure normale sur les produits, y compris notamment les éraflures, fissures, entailles ou dommages causés par des produits chimiques extérieurs.
  - Cette garantie n'est pas transférable et s'applique seulement aux nouveaux produits vendus directement par un détaillant autorisé. Cette garantie ne s'applique pas à tout produit, neuf ou d'occasion, acheté par le biais de canaux tiers non autorisés. Pour de l'information sur les détaillants autorisés, communiquez avec notre ligne directe du service à la clientèle au 1-800-618-7474 (lun. au ven., 8 h à 17 h, HNE)
  - Tout dommage, perte ou frais consécutif, indirect ou conséquent qui pourrait résulter d'un défaut, d'une défaillance ou d'un dysfonctionnement du produit n'est pas couvert par la garantie.
  - La garantie ne comprend pas l'installation, l'assemblage ou les réglages normaux expliqués dans le manuel de l'opérateur. Les frais de livraison du produit au vendeur et les frais de renvoi du produit ou des pièces de rechange au propriétaire ne sont pas couverts par la garantie.

#### Limites supplémentaires concernant la garantie

Certains États/provinces ne permettent pas l'exclusion ou la limitation de la durée d'une garantie implicite; les restrictions ci-dessus peuvent donc ne pas s'appliquer. Les produits vendus endommagés ou incomplets, vendus tels quels, vendus remis en état ne sont pas couverts par la garantie. Les dommages ou responsabilités provoqués par le transport, une mauvaise manipulation, un mauvais assemblage, une tension ou un câblage incorrect, une mauvaise maintenance, une modification incorrecte ou l'utilisation d'accessoires ou d'outils non spécifiquement recommandés ne sont pas couverts par cette garantie.

**Une preuve d'achat (original du reçu de vente daté) doit accompagner toute réclamation de garantie.**

**Pour les réclamations, allez à [scotts.americanlawnmower.com](http://scotts.americanlawnmower.com) ou communiquez avec notre ligne directe du service à la clientèle de 8 h à 17 h HNE, lun. au ven. au 1-800-618-7474**



American Lawn Mower Company  
The Great States Corporation  
7444 Shadeland Station Way  
Indianapolis, IN 46256 États-Unis  
Téléphone 1-800-618-7474  
[scotts.americanlawnmower.com](http://scotts.americanlawnmower.com)

Dans le cadre d'un engagement permanent d'amélioration de la qualité, le Fabricant se réserve le droit d'apporter des modifications à des composants ou à la conception si nécessaire.

Rev. 03/16/2022