

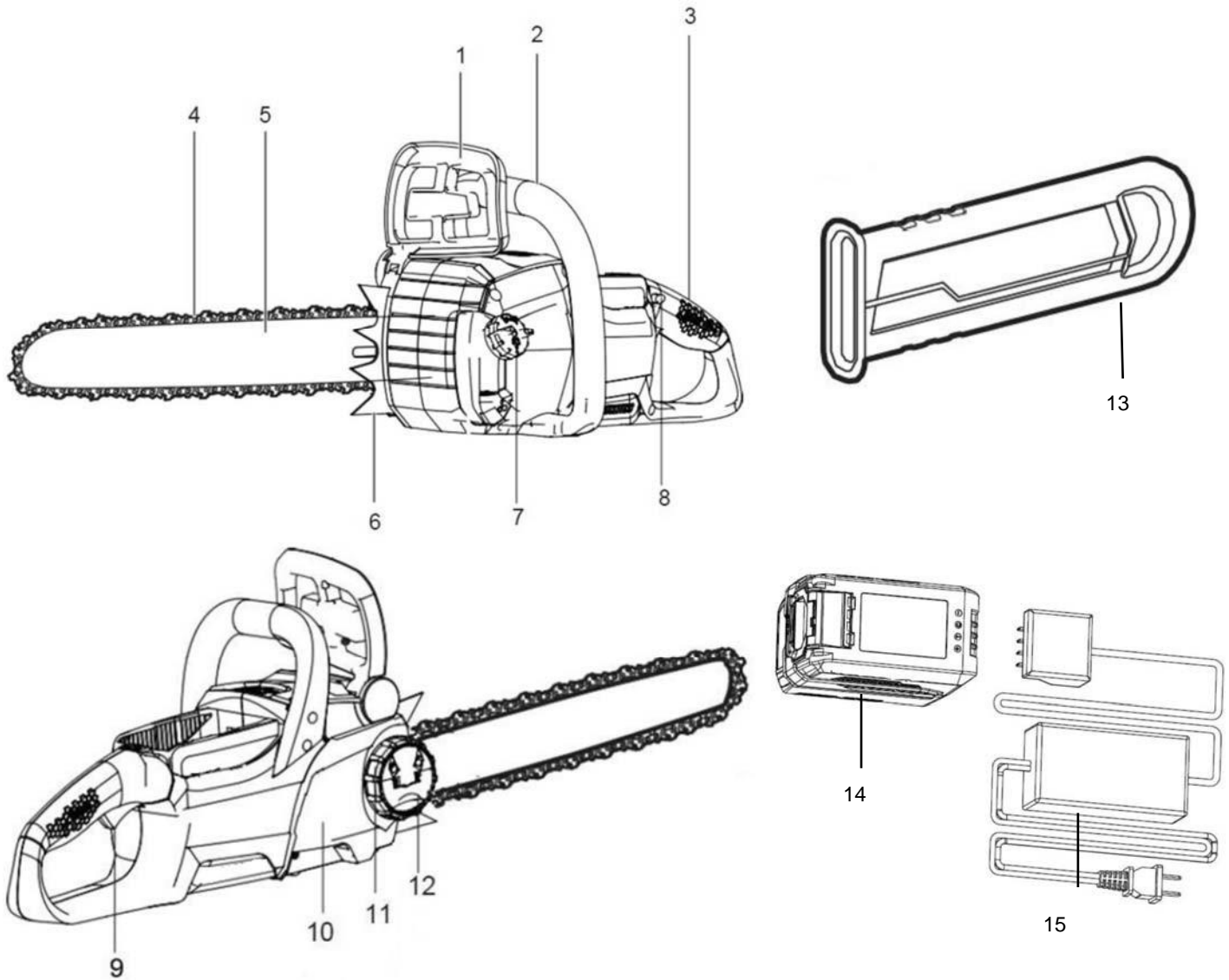
# FEATURES

## PRODUCT SPECIFICATIONS

### LCS31440S

Input.....40 V, DC Only  
 Battery.....40 V, 2.0Ah  
 Bar Length.....14-in  
 Oil Tank Capacity.....135 ml  
 Weight.....4.65 kg (10.25 lb)

- Automatic oiling pump system—Protective bar cover—Rubber over molded handle -



No.	Description	No.	Description
-----	-------------	-----	-------------

