



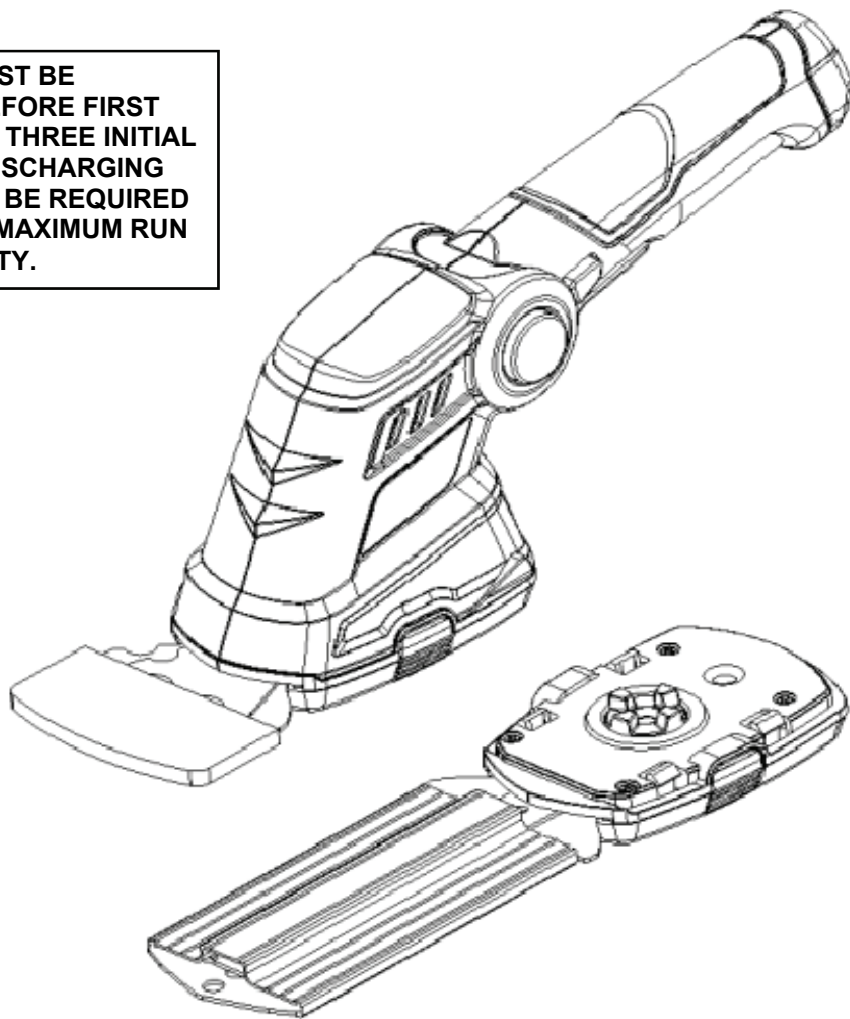
# OWNER'S MANUAL

## Cordless 7.2 Volt Lithium Shrub Shear

Copyright All Rights Reserved.

**Model LSS10172S**

**BATTERY MUST BE CHARGED BEFORE FIRST USE. TWO TO THREE INITIAL CHARGING/DISCHARGING CYCLES MAY BE REQUIRED TO ACHIEVE MAXIMUM RUN TIME/CAPACITY.**



**Intertek**  
4009890



CA Compliant Charger Included (Model No. HYCH0900400U)

This product has been engineered and manufactured to our high standard for dependability, ease of operation, and operator safety. Properly cared for, it will give you years of rugged, trouble-free performance.



**WARNING:** To reduce the risk of injury, the user must read and understand the owner's manual before using this product.

Thank you for your purchase.

**DO NOT RETURN THIS PRODUCT TO THE STORE. OPERATING, ASSEMBLY, PARTS, SERVICE QUESTIONS? GO TO [SCOTTSS.AMERICANLAWNMOWER.COM](http://SCOTTSS.AMERICANLAWNMOWER.COM) OR CALL 1-800-618-7474 BETWEEN 8:00 AM—5:00 PM EST FOR ASSISTANCE.**

**SAVE THIS MANUAL FOR FUTURE REFERENCE**



## IMPORTANT SAFETY WARNINGS



**TO REDUCE RISK OF INJURY:** Before any use be sure everyone using this product reads and understands all safety instructions and other information contained in this manual.



**WARNING:** Personal Injury and Damage! Keep your hands and feet away from the cutting tool, especially when the products are switched on! Never adjust the cutting head when the product is in the “on” position. Do not touch moving blades.

Save these instructions and review frequently prior to use and in instructing others.



**WARNING:** When using electric appliances, basic safety precautions should always be followed to reduce risk of fire, electric shock, and personal injury, including the following:

**READ ALL INSTRUCTIONS**

## GENERAL SAFETY



**AVOID DANGEROUS ENVIRONMENTS** - Do not use this product in the rain or in damp or wet conditions. Do not operate in gaseous or explosive atmospheres. Motors in these products normally spark, and the sparks might ignite fumes.

**DRESS PROPERLY**- Don't wear loose clothing or jewelry and wear protective hair covering to contain long hair. They can be caught in moving parts. Use of rubber gloves and protective footwear is recommended when working outdoors.



**USE SAFETY GLASSES** - Wear safety glasses with side shields or goggles that are marked to comply with ANSI Z87.1 standard when operating this product. Use face or dust mask if environment is dusty.



**DANGER:** Risk of cut. Keep hands away from blades.

**USE RIGHT APPLIANCE** - Do not use this product for any job except that for which it is intended.



**WARNING:** Switch off before adjusting or cleaning.



**CAUTION:** The blades continue to move for a few seconds after the tool is switched off.

**AVOID UNINTENTIONAL STARTING** - Do not carry this product with finger on switch.



**IMPORTANT!** Any use which is not expressly permitted in the manual may result in damage to the tool and place the use in serious danger. Please carefully read the restrictions in the operating instructions.



**IMPORTANT!** Before each use check for damaged or worn parts. Check for alignment of moving parts, binding of moving parts, breakage, mounting and any other condition that may affect its operation. Any part that is damaged should be properly repaired or replaced. For assistance call our customer service help line at 1-800-618-7474.

**STORE INDOORS**-When not in use, this product should be stored indoors in a dry location out of reach of children.

**STAY ALERT** - Watch what you are doing. Use common sense. Do not operate this product when you are tired or under the influence of drugs, alcohol or medications.



**DANGER:** If blade jams on any electrical cord or line, DO NOT TOUCH THE BLADE! IT CAN BECOME ELECTRICALLY LIVE AND VERY DANGEROUS. Release the unit in the safest manner possible. Disconnect the damaged electrical cord or line from the power source. If possible, do so safely, if in doubt, call an electrician or the electrical contractor for assistance. Failure to heed this Danger can result in serious personal injury and possible death.

**LIGHTING** - Only operate this tool in daylight or good artificial light.

**DON'T OVERREACH** - Keep proper footing and balance at all times.



**DANGER:** Make sure trigger switch is off and safety button is not pushed when clearing jammed material from blades.

**MAINTAIN TOOL WITH CARE**-Keep blades sharp and clean for best performance and to reduce the risk of injury. Keep handle dry, clean and free from oil and grease.

**KEEP CHILDREN AWAY** - All visitors, children and pets should stay at a safe distance from the work area.



**WARNING: California Proposition 65:** This product contains chemicals known to the State of California to cause cancer, birth defects or other reproductive harm.



**WARNING:** Cancer and Reproductive Harm - [www.P65Warnings.ca.gov](http://www.P65Warnings.ca.gov).

## GENERAL SAFETY



### FCC Warnings:

Please note that changes or modifications to this product not expressly approved by the party responsible for compliance could void the user's authority to operate the equipment.

NOTE: This equipment has been tested and found to comply with the limits for a Class B digital device, pursuant to Part 15 of the FCC Rules. These limits are designed to provide reasonable protection against harmful interference in a residential installation. This equipment generates, uses and can radiate radio frequency energy and, if not installed and used in accordance with the instructions, may cause harmful interference to radio communications.

However, there is no guarantee that interference will not occur in a particular installation. If this equipment does cause harmful interference to radio or television reception, which can be determined by turning the equipment off and on, the user is encouraged to try to correct the interference by one or more of the following measures:

- Reorient or relocate the receiving antenna.
- Increase the separation between the equipment and receiver.
- Connect the equipment into an outlet on a circuit different from that to which the receiver is connected.
- Consult the dealer or an experienced radio/TV technician for help.

## EXPLANATION OF SYMBOLS

Some of the following symbols may be used on this product. Please study them and learn their meaning. Proper interpretation of these symbols will allow you to operate the product better and safer.



Precautions that involve your safety.



**CAUTION!** Read the instruction manual and follow the warning and safety instructions!



**CAUTION!** Always wear eye protection.



Do not use in rain or electrical storms.



**WARNING!** Wear protective gloves!



**WARNING!** Keep bystanders away.



**CAUTION!** Wear ear protection!



**WARNING!** Wear safety footwear!

## CHARGING THE BATTERY

- The battery must be fully charged before using for the first time. The charging time is 3 to 5 hours. (See page 5 for instructions.)
- The battery charger supplied matches the lithium battery installed in the tool. DO NOT use any other charger to recharge the tool.

- To protect the lithium battery against deep discharging, when the battery is flat, the tool will automatically switch off via a protective circuit.



If the On/Off switch is used continually at this point, the lithium battery can be damaged. Do not try to continue to use the tool before recharging the battery.



Waste electrical products should not be disposed of with household waste. Please recycle where facilities exist. Check with your Local Authority or retailer for recycling advice.

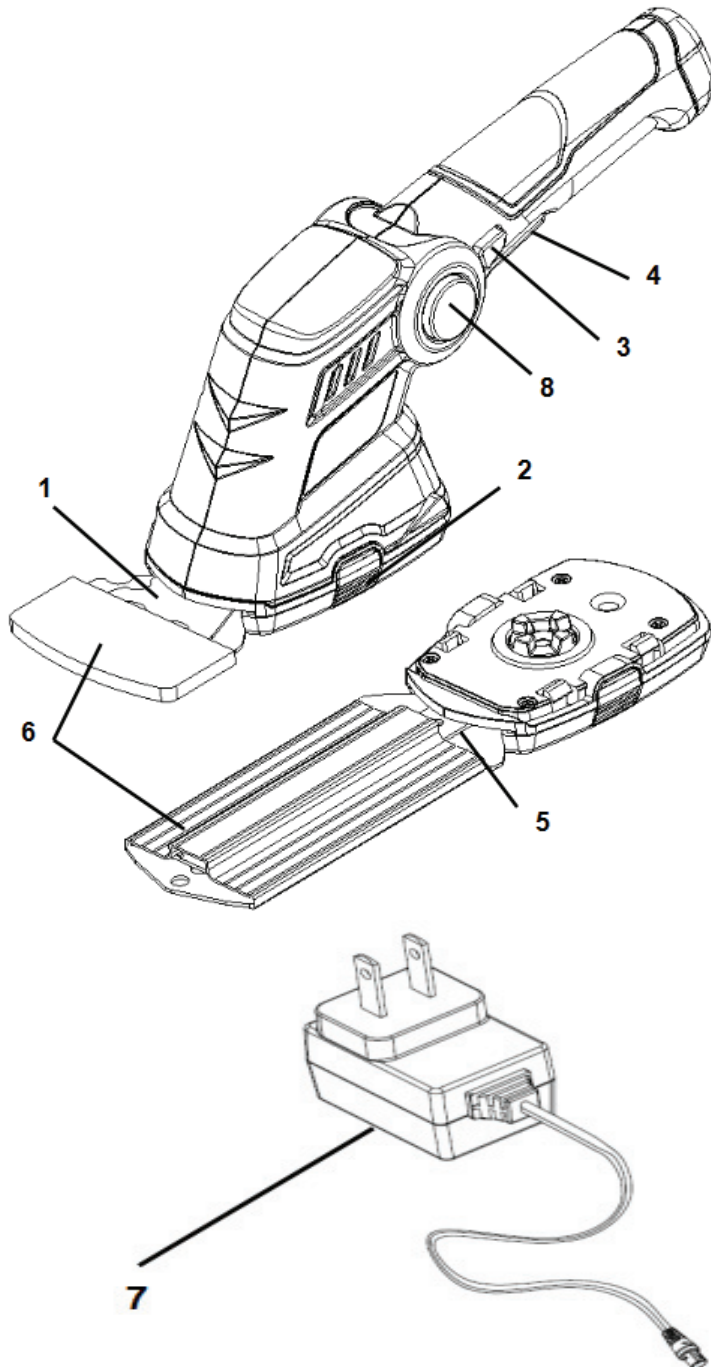
## PRODUCT SPECIFICATIONS

Model: LSS10172S

|                          |                      |   |
|--------------------------|----------------------|---|
| Input:                   | 7.2V DC, 2.0 Ah      | -Lithium-ion battery  |
| Battery capacity:        | 2000mAh              | -3.54inch (90mm) grass shear blade width                    |
| No load speed:           | 2600 SPM             | -6.69inch (170mm) shrub trimming blade cutting length       |
| Charger (adaptor) input: | 100-120V, 50/60Hz AC | -5/16 inch (8mm) shrub trimming blade max. cutting diameter |
| Battery charging time:   | 3 - 5 hours          | -Tool-less blade changing system                            |

## PARTS LIST

|   |                       |
|---|-----------------------|
| 1 | Grass cutter blade    |
| 2 | Blade release button  |
| 3 | Safety lock button    |
| 4 | On/Off trigger switch |
| 5 | Shrub trimming blade  |
| 6 | Blade guards          |
| 7 | Battery charger       |
| 8 | Rotating angle button |



## GENERAL INSTRUCTIONS

### PACKING LIST

- Shear with Grass Cutter Blade Assembled
- Shrub Trimming Blade
- Blade Guards
- Battery Charger
- Owner's Manual

### UNPACKING

Carefully remove the product from the box. Make sure that all items listed in the packing list are included.

Inspect all items carefully to make sure no breakage or damage occurred during shipping.

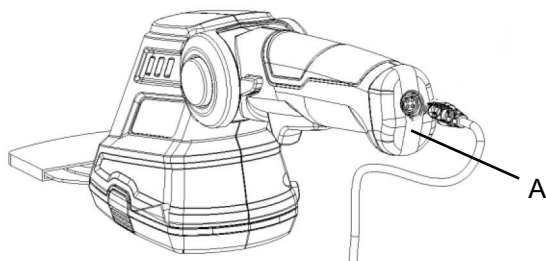
Do not discard the packing material until you have carefully inspected and satisfactorily operated the tool.



**WARNING:** If any parts are damaged or missing please do not operate this product until the parts are replaced. Failure to heed this warning could result in serious personal injury. Call our customer service help line at 1-800-618-7474 for assistance.

### CHARGING PROCEDURE

1. Insert the charger cable into the charging inlet on the tool.



2. Make sure the wall outlet in your home is normal household voltage (AC120V, 60 Hz). Insert the battery charger plug into the wall outlet.
  3. The red LED (A) charging indicator lights up to tell you that the battery pack is on charge. The battery is fully charged when the red LED charging indicator is no longer lit.
- \* During the charging process, it is normal for the handle of the tool to warm up.
  - \* When not using the tool for extended periods, disconnect the battery charger from the socket.
  - \* When the trimming shears are charging, you must not use them.
  - \* Only charge the battery between 0°-37.8°C (32°-100°F).
  - \* After prolonged use, allow the battery to cool down before recharging.

### STARTING AND STOPPING

#### Starting:

1. Push the safety lock button and press the on/off trigger switch at the same time.
2. Release the safety lock button.

#### Stopping:

1. Release the on/off trigger switch.

### OPERATING INSTRUCTIONS

This product is intended for light trimming of shrubs, hedges and lawn edges. Please note that this tool is not designed for commercial, trade, or industrial use. Only use this product for the purpose specified in these instructions. Any other use will void the warranty.

#### GRASS CUTTER BLADE

Use the grass cutter blade for cutting the edges of lawns and small areas of grass in private gardens and hobby areas.

The grass cutter blade is not intended for cutting hedges or chopping material up for composting.

#### Edging

Guide the tool along the edge of the lawn.

After use install the blade guard.

#### Tips:

- Do not force the unit through dense growth, and if the blades slow down, reduce your speed.
- Avoid trimming too close to dirt, sand or gravel, as this could dull the blades and reduce the cutting efficiency.
- Do not allow the blade to contact paved surfaces, stones or garden walls, as this will rapidly wear down the blade.

#### SHRUB TRIMMING BLADE

Use the shrub trimming blade for trimming and shaping individual bushes, shrubs, and climbing plants in private domestic and hobby gardens.

The shrub trimming blade is not intended for cutting grass / edging.

#### Cutting shrubs

- \* Before using, check the shrubs for foreign objects e.g. wire, etc.
- \* When using the tool hold it away from yourself and stand in a secure position with your weight evenly balanced on both feet.
- \* When cutting, move steadily along the line of cut, so that stems are fed directly into the cutter blades.
- \* After use, install the blade guard.

## GENERAL INSTRUCTIONS

### Recommended cutting/trimming times:

- Cut hedges with deciduous leaves in June and October.
- Cut evergreen hedges in April and August.
- Cut conifer and other fast growing shrubs approximately every six weeks from May through October.

### CHANGING BLADES

**CAUTION:** Blades can cause injury. Wear gloves when changing blades.

**CAUTION:** Do not press the safety lock button of the shear during blade changes.

### Removing the blades:

1. Press the blade release button (A) and slide the blade downward to remove as shown. (Fig. 1)

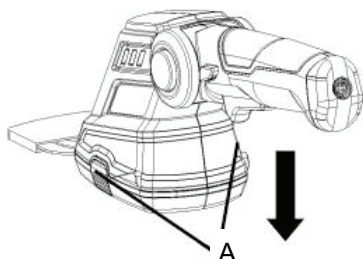


Fig. 1

2. Once you have removed the blade you will be able to see the toothed wheels of the gear unit (Fig. 2). Make sure that no dirt gets into the gear unit when you change the blade. To assemble, proceed in the reverse order.

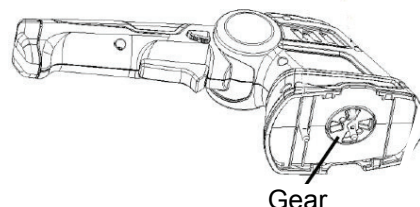


Fig. 2

### Adjusting the handle angles:

To push inside the rotating angle button then rotate the machine handle. (Fig. 3)

There are 3 positions (-30° to +30°)

engraved on housing.

After you choose the position that you want, then release the rotating angle button.

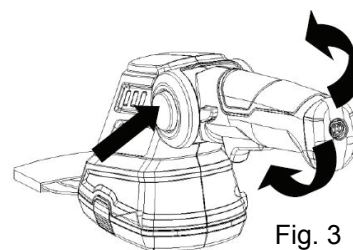


Fig. 3

## MAINTENANCE / CLEANING / STORAGE

### MAINTENANCE:

**CAUTION:** Blades can cause injury. Do not press the safety lock of the shear during maintenance work.

Note: To ensure long and reliable service, regularly carry out the following maintenance:

- \* Check for obvious defects such as a damaged or loose blade, housing, or components.
- \* If the tool should stop working properly, repair should be carried out by a qualified individual, using identical replacement parts.

**CAUTION:** Never clean the trimming shears in water (especially running water), as there is a risk of personal injury and damage to the shears.

To obtain good cutting results, always make sure the blades are sharp, and clean them from time to time with a soft dry cloth.

For easier operation and longer blade life, use light machine oil to lubricate the trimming and grass shear blades before and after each use.

Check the condition of the cutting edges of the blades, and always immediately remove notches and burrs caused by stones, etc.

There are no parts inside the equipment which require additional maintenance.

### CLEANING / STORAGE

- \* Clean the exterior of the tool thoroughly using a soft brush and cloth. Do not use water, solvents, or polishes.
- \* Remove all debris from the tool.
- \* After use, cover the blades with the guards provided.
- \* Charge the battery 3 to 5 hours before storing.
- \* If the tool is to be stored for an extended period of time or during winter storage, charge the battery at least once every three months to protect it from damage.
- \* Store the tool in a dry secure place out of reach of children.
- \* Do not place any other objects on top of the tool.
- \* This tool must not be stored in temperatures over 40°C (104°F) or under direct exposure to sunlight.
- \* Do not store the tool in places with static electricity.

## PARTS AND SERVICE

For parts or service, please call 1-800-618-7474 or visit us online at [scotts.americanlawnmower.com](http://scotts.americanlawnmower.com). Be sure to provide all relevant information when you call or visit.

### REPAIR PARTS (KITS/ ITEMS)

The model/ serial number of this tool is found on a plate or label attached to the housing. Please record the serial number in the space provided below.

MODEL NUMBER     **LSS10172S**    

SERIAL NUMBER \_\_\_\_\_

**Always mention the model number when ordering kits/items for this tool.**

| No. | Kit/Item Number | Description                | QTY |
|-----|-----------------|----------------------------|-----|
| 1   | LSS-GSA         | Grass shear blade assy kit | 1   |
| 2   | LSS-HTA         | Shrub shear blade assy kit | 1   |
| 3   | LSS-PR-CHK      | Charger                    | 1   |

#### BATTERY DISPOSAL



The RBRC indicates that the costs to recycle the battery at the end of its useful life has already been paid by The Great States Corporation American Lawn Mower Company. It is illegal to place spent li-ion batteries in the local municipal solid waste or in the trash. RBRC in cooperation with The Great States Corporation American Lawn Mower Company has provided an environmentally friendly and easy way to recycle spent li-ion batteries. Just contact your local recycling center or call 1-800-8BATTERY for information on where to drop off the spent battery.

## CALL US FIRST !!

Call us first with questions about operating or maintaining your product at 1.800.618.7474 between 8:00 a.m. – 5:00 p.m. Eastern Standard Time, or get assistance on [scotts.americanlawnmower.com](http://scotts.americanlawnmower.com).



## OWNER'S MANUAL

# LSS10172S Cordless 7.2V Lithium Shrub Shear

Copyright. All Rights Reserved.

### WARRANTY POLICY

#### Scotts Warranty policy

- **2 Year limited warranty** on all Scotts electric hand tools from date of purchase when used for personal, household, or family use.

The Great States Corp. (GSC) warrants to the original owner that this Scotts product and service part is free from defects in materials and workmanship and agrees to repair or replace any defective product or part for the warranty period as stated above.

- Warranty voided if used for commercial or industrial purposes or any other improper use as determined by GSC.
- Warranty does not include repairs necessary due to operator's abuse or negligence (including overloading the product beyond capacity or immersion in water), or the failure to assemble, operate, maintain or store the product according to the instructions in the owner's manual.
- This warranty does not cover
  - ◇ Wear items, including but not limited to - drive belts & gears, tines, cutting blades, mower blades, saw chains, mulching blades, blower fans, spool covers, trimmer line, blower and vacuum tubes, guide bars, high pressure hoses, wheels, handles, augers, worn bags, power cables, and other items subject to wear over time.
  - ◇ Wear on batteries, including but not limited to – drops, wear and breakage on charger, exposure to extreme temperature swings (hot or cold), battery left on charger too long, battery left uncharged for too long, and misuse or abuse of the battery.
- This warranty does not cover damage caused by cold, heat, rain, excessive humidity or other environmental extremes.
- This warranty does not cover normal deterioration of the exterior finish or normal wear and tear on the products including, but not limited to scratches, cracks, dents, or damage caused by outside chemicals.
- This warranty is not transferable and only applies to new products sold directly from an authorized retailer. This warranty does not apply to any product, new or used, purchased through unauthorized third-party channels. For information on authorized dealers, contact our customer support hotline at 1-800-618-7474 (Mon-Fri 8am-5pm Est)
- Any incidental, indirect or consequential loss, damage, or expense that may result from any defect or malfunction of the products is not covered by the warranty.
- The warranty does not include installation, assembly or normal adjustments explained in the operator's manual. The expense of delivering the product to the vendor and the expense of returning the product or replacement parts to the owner is not covered by the warranty.

#### Additional Warranty Limitations

Some states do not allow the exclusion or limitation on how long an implied warranty lasts, so the above limitation may not apply to you. Products sold damaged or incomplete, sold —as is, or sold as reconditioned are not covered under the warranty.

Damage or liability caused by shipping, improper handling, improper assembly, incorrect voltage, improper wiring, improper maintenance, improper modification or the use of accessories and/or attachments not specifically recommended is not covered by this warranty.

**Proof of purchase, original dated sales receipt, must accompany all warranty claims.**

**For claims go to [scotts.americanlawnmower.com](http://scotts.americanlawnmower.com) or call our customer support hotline from 8am-5pm EST, Mon-Fri at 1-800-618-7474**



American Lawn Mower Company  
The Great States Corporation  
7444 Shadeland Station Way  
Indianapolis, IN 46256 USA  
Phone 1-800-618-7474  
[scotts.americanlawnmower.com](http://scotts.americanlawnmower.com)

In a continued commitment to improve quality, the Manufacturer reserves the right to make component changes or design changes when necessary.

Rev. 11/26/2018





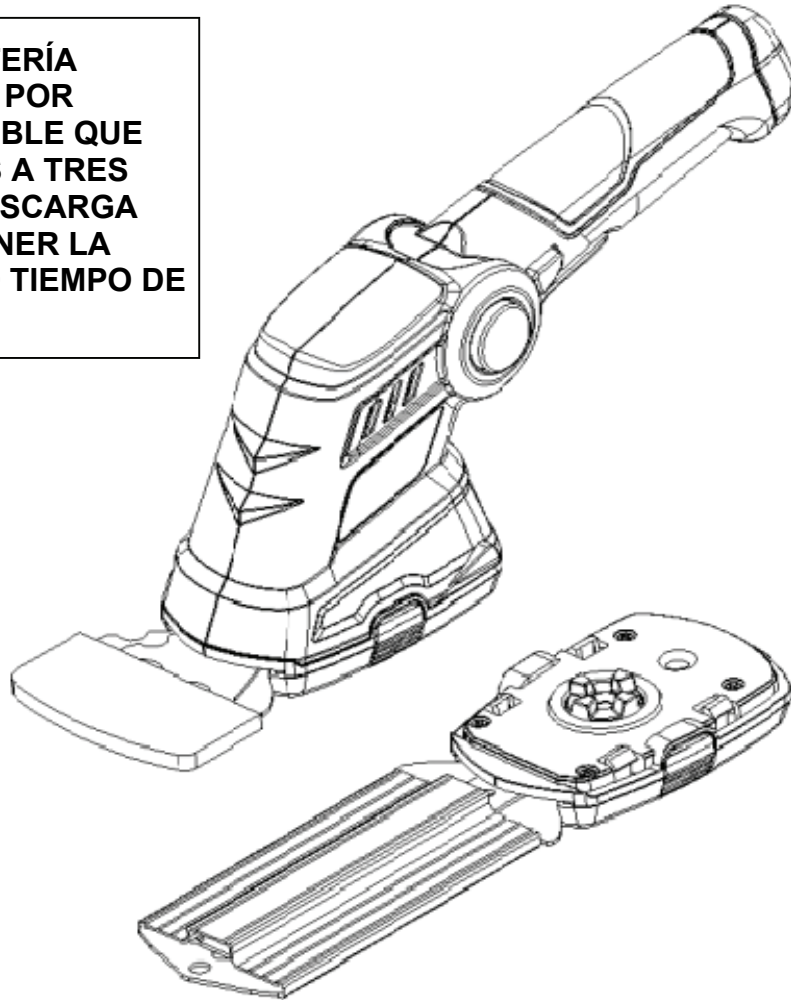
# MANUAL DEL OPERARIO

## Cizalla de litio sin cable de 7.2 voltios

Copyright. Todos los derechos reservados.

Modelo LSS10172S

**DEBE CARGAR LA BATERÍA ANTES DE UTILIZARLA POR PRIMERA VEZ. ES POSIBLE QUE SE NECESITEN DE DOS A TRES CICLOS DE CARGA/ DESCARGA INICIALES PARA OBTENER LA MÁXIMA CAPACIDAD O TIEMPO DE FUNCIONAMIENTO.**



Cargador Cumple con CA está incluido (Modelo No. HYCH0900400U)

Este producto fue diseñado y fabricado de acuerdo con nuestros altos estándares de confiabilidad, facilidad de operación y seguridad para el operario. Si se trata con cuidado, esta herramienta le otorgará años de óptimo rendimiento y resistencia.



**ADVERTENCIA:** Para reducir el riesgo de sufrir alguna lesión, el usuario debe leer y comprender el manual del operario antes de usar este producto.

Muchas gracias por su compra.

**NO DEVUELVA ESTE PRODUCTO A LA TIENDA. ¿TIENE PREGUNTAS SOBRE FUNCIONAMIENTO, MONTAJE, PIEZAS O SERVICIO TÉCNICO? IR A SCOTTS.AMERICANLAWNMOWER.COM O LLAME AL 1-800-618-7474 ENTRE LAS 8:00 AM Y LAS 5:00 PM, HORA DEL ESTE DE LOS ESTADOS UNIDOS.**

**GUARDE ESTE MANUAL PARA CONSULTAS FUTURAS**



## ADVERTENCIAS DE SEGURIDAD IMPORTANTES



**PARA REDUCIR EL RIESGO DE LESIONES:** Antes de utilizar este producto, cerciórese de que todos los usuarios lean y comprendan las instrucciones de seguridad y la demás información incluida en este manual.



**ADVERTENCIA:** Daños y lesiones personales. Aleje las manos y los pies de la cortadora, especialmente cuando el producto está encendido. Nunca ajuste el cabezal de corte cuando el producto está en la posición de encendido. No toque las cuchillas en movimiento.

Guarde estas instrucciones y revíselas con frecuencia antes de usar la herramienta y para impartirlas a otros.



**ADVERTENCIA:** Al utilizar aparatos eléctricos, se recomienda respetar siempre las precauciones de seguridad básicas que se detallan a continuación, a fin de reducir riesgos de incendios, descargas eléctricas y lesiones personales.

**LEA TODAS LAS INSTRUCCIONES**

## NORMAS GENERALES DE SEGURIDAD



**EVITE AMBIENTES PELIGROSOS.** No utilice este producto en condiciones de lluvia o tormenta. Tampoco trabaje en entornos donde existan gases o sustancias explosivas. Por lo general, los motores de estos productos producen chispas que podrían inflamar los gases.

**USE ROPA ADECUADA.** No use prendas sueltas ni artículos de joyería mientras trabaja con este producto. Use protección para cubrir y sujetar el cabello largo, ya que puede quedar atrapado en las piezas móviles. Se recomienda usar guantes de goma y calzado de protección cuando se trabaja al aire libre.



**USE GAFAS DE SEGURIDAD.** Al trabajar con este producto, use gafas de seguridad con protectores laterales que cumplan con la norma ANSI Z87.1. Protéjase la cara con una mascarilla antipolvo si hay polvo en el ambiente.



**PELIGRO:** Riesgo de corte. Mantenga las manos alejadas de las cuchillas.

**USE LA HERRAMIENTA CORRECTA.** No utilice este herramienta n trabajos para los que no esté indicada.



**ADVERTENCIA:** Apague la unidad antes de limpiarla o de realizar ajustes.



**PRECAUCIÓN:** Las cuchillas se siguen moviendo durante algunos segundos después de apagar la herramienta.

**EVITE EL ENCENDIDO ACCIDENTAL.** No transporte el producto con el dedo en el interruptor.



**¡IMPORTANTE!** Cualquier uso que no esté permitido en forma expresa en el manual puede provocar daños a la herramienta y poner al usuario en grave peligro. Lea detenidamente las restricciones que figuran en las instrucciones de operación.



**¡IMPORTANTE!** Revise la herramienta antes de cada uso para detectar si hay piezas gastadas o dañadas. Verifique la alineación y las uniones de las piezas móviles, el montaje, averías y otros factores que puedan afectar el funcionamiento. Se debe reparar o reemplazar cualquier pieza dañada, en forma adecuada. Para recibir asistencia, comuníquese con nuestra línea de ayuda de atención al cliente al 1-800-618-7474.

**GUARDE LA HERRAMIENTA BAJO TECHO.** Cuando no esté en uso, se deberá guardar en un lugar cerrado y seco, fuera del alcance de los niños. **PONGA ATENCIÓN.** Observe lo que está haciendo. Use el sentido común. No opere este producto si está cansado o bajo la influencia de drogas, alcohol o medicamentos.



**PELIGRO:** Si la cuchilla se atasca en algún cable o línea eléctrica, **NO TOQUE LA CUCHILLA. PUEDE ESTAR ELECTRIFICADA Y SER MUY PELIGROSA.** Suelte la unidad de la forma más segura posible. Desconecte el cable o línea eléctrica dañada del suministro eléctrico. Si es posible, hágalo de una manera segura. Si tiene dudas, llame a un electricista o al contratista eléctrico para obtener ayuda. El no prestar atención a este aviso de peligro puede causar lesiones personales de gravedad y, posiblemente, la muerte. **ILUMINACIÓN.** Trabaje con la sopladora de nieve sólo con luz natural o buena luz artificial. **NO ADOpte UNA POSTURA INCÓMODA.** Mantenga una base y equilibrio apropiados en todo momento.



**PELIGRO:** Asegúrese de que el gatillo esté en posición de apagado y el botón de seguridad no esté presionado para luego retirar el material atascado en las cuchillas.

**TENGA CUIDADO AL REALIZAR EL MANTENIMIENTO.** Las cuchillas siempre deben estar afiladas y limpias para lograr un óptimo funcionamiento y reducir el riesgo de lesiones. Mantenga el mango seco, limpio y libre de grasa y aceite.

**MANTENER** apartados a los niños - todos los visitantes, niños y animales domésticos deben permanecer a una distancia segura del área de trabajo.



**ADVERTENCIA: Proposición 65 de California:** Este producto contiene sustancias químicas al estado de California como causantes de cáncer, defectos de nacimiento u otros problemas reproductivos .



**ADVERTENCIA:** Cáncer y Daño Reproductivo - [www.P65Warnings.ca.gov](http://www.P65Warnings.ca.gov).

## NORMAS GENERALES DE SEGURIDAD



### Advertencias de la FCC :

Por favor tenga en cuenta que los cambios o modificaciones a los que se someta este producto y que no estén expresamente aprobados por la parte responsable del cumplimiento, podrían anular la autoridad del usuario para operar el equipo.

NOTA: Este equipo ha sido probado y se ha determinado que cumple con los límites de un dispositivo digital Clase B, de conformidad con la Parte 15 de las Reglas de la Comisión Federal de Comunicaciones (FCC por sus siglas en inglés). Estos límites están diseñados para brindar una protección razonable contra interferencias dañinas en instalaciones residenciales. Este equipo genera, utiliza y puede emitir energía de radiofrecuencia, y si no se instala y utiliza según las instrucciones, podría ocasionar interferencia

perjudicial para las comunicaciones por radio. Sin embargo, no se garantiza que no se producirá interferencia en alguna instalación en particular. Si este equipo causa interferencia perjudicial a la recepción de radio o de televisión, lo cual puede determinar si apaga y enciende el equipo, se le aconseja al usuario que trate de corregir la interferencia realizando una o más de las siguientes acciones:

- Cambie la ubicación o la orientación de la antena receptora.
- Aumente la distancia que separa el equipo y el receptor.
- Conecte el equipo a un tomacorriente que esté en un circuito distinto al que está conectado el receptor.
- Consulte a su concesionario o a un técnico experimentado de radio/TV para pedir ayuda.

## SÍMBOLOS

Algunos de los siguientes símbolos pueden aparecer en este producto. Tenga a bien estudiarlos y aprender su significado. La adecuada interpretación de estos símbolos le permitirá operar el producto mejor y de manera más segura.



Precauciones para su seguridad.



**PRECAUCIÓN:** Lea el manual de instrucciones y atienda las instrucciones de seguridad y advertencia.



**PRECAUCIÓN:** Use siempre protecciones para sus ojos.



No usar en la lluvia. No usar durante tormentas eléctricas.



**¡ADVERTENCIA!** Lleve guantes protectores!



**¡ADVERTENCIA!** Las personas que se encuentran en el lugar deben guardar distancia.



**PRECAUCIÓN:** Use protección para los oídos!



**¡ADVERTENCIA!** Lleve calzado de seguridad!

## CARGA DE LA BATERÍA

- La batería debe estar cargada por completo antes de usarla por primera vez. El tiempo de carga aproximado es de 3 a 5 horas. (Consulte la página 5 para obtener instrucciones.)
- El cargador de batería incluido corresponde a la batería de litio instalada en la herramienta. NO utilice ningún otro cargador para la recarga de la herramienta.
- Para proteger la batería de litio contra una descarga profunda, la herramienta se apagará automáticamente mediante un circuito protector cuando la batería esté descargada.



Si el interruptor de encendido/apagado se usa en forma continua en este momento, la batería de litio puede dañarse. No siga utilizando la herramienta antes de volver a cargar la batería.



Los productos eléctricos no se deben desechar junto con los residuos domésticos. Recicle donde haya centros para tal fin. Consulte a la autoridad local o al distribuidor minorista para obtener asesoramiento sobre reciclado.

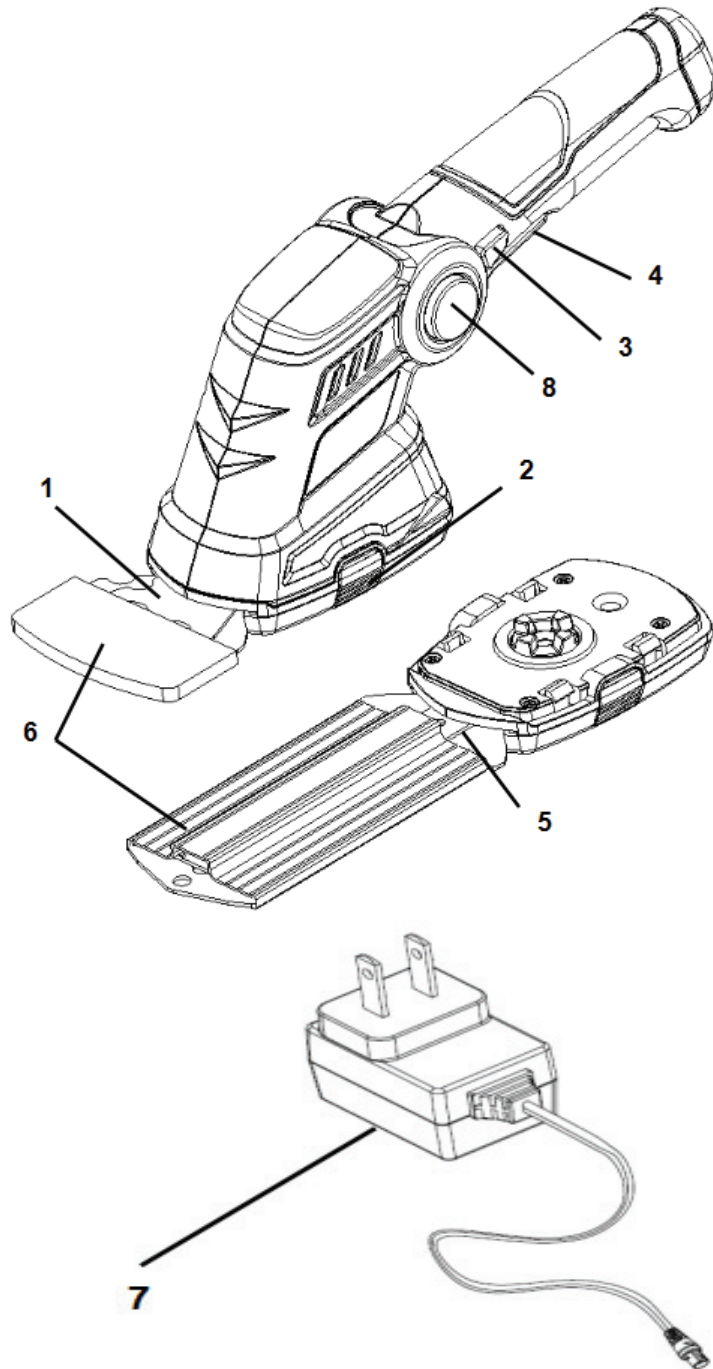
## ESPECIFICACIONES DEL PRODUCTO

Modelo: LSS10172S

|                                       |                       |  |
|---------------------------------------|-----------------------|--|
| Entrada:                              | 7,2 V CC, 2,0 Ah      | - Batería de iones de litio                                  |
| Capacidad de la batería:              | 2000mAh               | - Cuchilla para cortar 90mm                                  |
| Sin velocidad de carga:               | 2600 SPM              | - Longitud de corte de la cuchilla para podar arbustos 170mm |
| Entrada del (adaptador del) cargador: | 100-120V, 50/60 Hz CA | - Ancho max. de corte: 8mm                                   |
| Teiempo de carga de la batería:       | de 3 a 5 horas        | - Sistema de cambio de cuchilla sin herramienta              |

## LISTA DE PIEZAS

|   |                                       |
|---|---------------------------------------|
| 1 | Cuchilla para cortar pasto            |
| 2 | Interruptor de desbloqueo de cuchilla |
| 3 | Botón bloqueo de seguridad            |
| 4 | Gatillo de encendido y apagado        |
| 5 | Cuchilla para podar arbustos          |
| 6 | Cuchilla para cortar pasto            |
| 7 | Cargador de batería                   |
| 8 | Botón de ángulo giratorio             |



## INSTRUCCIONES GENERALES

### LISTA DE EMBALAJE

- Cortadora con cuchilla para cortar pasto montada
- Cuchilla para podar arbustos
- Protectores de cuchilla
- Cargador de batería
- Manual del operario

### DESEMBALAJE

Extraiga la herramienta y los accesorios de la caja con cuidado. Asegúrese de que estén incluidos todos los elementos detallados en la lista de embalaje.

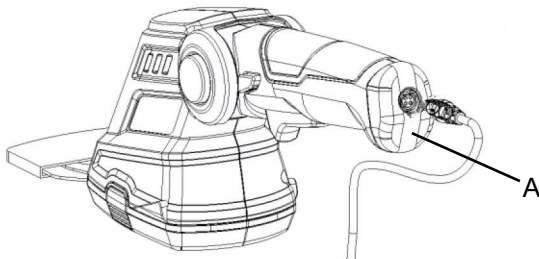
Inspeccione el producto detenidamente para corroborar que no existan roturas ni averías ocurridas durante el envío. No deseche el material de embalaje hasta haber inspeccionado exhaustivamente el producto y comprobar que funciona en forma satisfactoria.



**ADVERTENCIA:** Si alguna pieza falta o está dañada, no utilice este producto hasta reponer la pieza en cuestión. De lo contrario, podría sufrir lesiones personales de gravedad. Llame al 1-800-618-7474 para obtener asistencia.

### PROCEDIMIENTO DE CARGA

1. Appuyez sur le bouton de dégagement de la lame (A) et faites glisser la lame vers le bas pour la retirer, comme indiqué. (Fig. 1)



2. Asegúrese de que el tomacorriente de pared de su hogar corresponda al voltaje doméstico normal (CA, 120 V, 60 Hz). Enchufe el cargador de batería en el tomacorriente de pared.
  3. El indicador de carga LED (A) emite una luz roja para señalar que el paquete de la batería se está cargando. Cuando el indicador de carga LED rojo se apaga, la batería está cargada por completo.
- \* Durante el proceso de carga, es normal que el mango de la herramienta se caliente.
  - \* Durante los períodos prolongados en que no use la herramienta, desenchufe el cargador de batería.
  - \* Cuando la cortadora se está cargando, no debe utilizarla.
  - \* Sólo cargue la batería en temperaturas que oscilen entre 0° y 37,8°C (32°-100°F).
  - \* Después de un uso prolongado, deje enfriar la batería antes de volver a cargarla.

### INICIO Y DETENCIÓN

#### Inicio:

1. Oprima el botón de bloqueo de seguridad y el gatillo de encendido/apagado al mismo tiempo.
2. Suelte el botón de bloqueo de seguridad.

#### Detención:

1. Suelte el gatillo de encendido/apagado.

### INSTRUCCIONES DE OPERACIÓN

Este producto está pensado para podar arbustos y setos y recortar bordes de césped en régimen de uso ligero. Tenga en cuenta que esta herramienta no está diseñada para uso comercial ni industrial. Úsela únicamente para los fines especificados en estas instrucciones. Cualquier otro uso anulará la garantía.

#### CHUCHILLA PARA CORTAR PASTO

Use la cuchilla para cortar pasto para recortar los bordes del césped y las zonas pequeñas de pasto en jardines privados y áreas de recreación.

Esta cuchilla no debe emplearse para podar arbustos ni cortar material para elaborar composta.

#### Recorte de bordes

Guíe la herramienta a lo largo del borde del césped.

Cuando termine de trabajar, coloque el protector de cuchilla.

#### Consejos útiles:

- No fuerce la unidad al intentar cortar brotes muy tupidos, y si las cuchillas trabajan más lentamente, reduzca la velocidad.
- Evite podar muy cerca de la suciedad, arena o grava, ya que esto podría desafilar las cuchillas y reducir la eficacia del corte.
- No permita que la cuchilla entre en contacto con superficies pavimentadas, piedras o paredes de jardín; de lo contrario, se desgastará rápidamente.

#### CUCHILLA PARA PODAR ARBUSTOS

Use la cuchilla para podar arbustos para recortar y dar forma a arbustos, matas y enredaderas en jardines domésticos privados y como pasatiempo.

La cuchilla para podar arbustos no se debe emplear para cortar pasto ni recortar los bordes del césped.

#### Poda de arbustos

- \* Antes de cortar, compruebe que no haya objetos extraños, como cables, etc.
- \* Al usar la herramienta, manténgala alejada del cuerpo y adopte una posición segura con el peso distribuido de manera uniforme en ambos pies.
- \* Para realizar el trabajo, muévase en forma constante por la línea de corte, de modo que los tallos se introduzcan directamente en las cuchillas de la cortadora.
- \* Cuando termine, coloque el protector de cuchilla.

## INSTRUCCIONES GENERALES

### Tiempos de corte/poda recomendados:

- Corte los setos de hojas caducas en junio y octubre.
- Corte los setos de hojas perennes en abril y agosto.
- Corte las coníferas y otros arbustos de crecimiento rápido aproximadamente cada seis semanas, de mayo a octubre.

### CAMBIO DE LAS CUCHILLAS

**PRECAUCIÓN:** Las cuchillas pueden provocar lesiones. Use guantes al cambiar las cuchillas.

**PRECAUCIÓN:** No oprima el botón de bloqueo de seguridad de la cortadora mientras reemplaza la cuchilla.

### Extracción de las cuchillas:

1. Presione el interruptor de desbloqueo de la cuchilla y deslice la cuchilla para cortar pasto hacia abajo para retirarla, como se muestra.

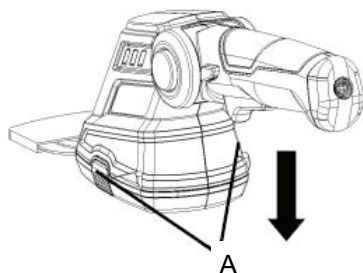


Fig. 1

2. Una vez que haya retirado la cuchilla, podrá ver las ruedas dentadas del engranaje (Fig. 2). Asegúrese de que no entre suciedad en el reductor cuando cambie la cuchilla.  
Para montar, proceder en orden inverso.

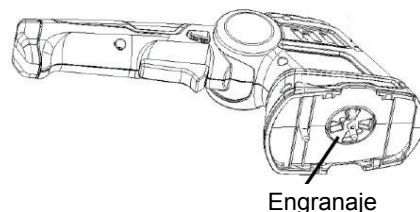


Fig. 2

### Ajustando los ángulos del mango:

Para presionar dentro del botón de ángulo giratorio, gire la manija de la máquina. (Fig. 3)

Hay 3 posiciones grabadas en la carcasa (-30° a +30°). Después de elegir la posición que desea, suelte el botón de ángulo giratorio.

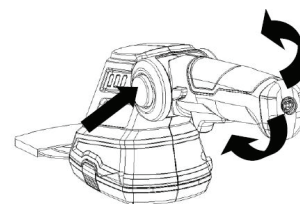


Fig. 3

## MANTENIMIENTO / LIMPIEZA / ALMACENAMIENTO

### MANTENIMIENTO:

**PRECAUCIÓN:** Las cuchillas pueden provocar lesiones. No oprima el botón de bloqueo de seguridad de la cortadora durante el trabajo de mantenimiento.

Nota: Para que la herramienta brinde un servicio confiable y duradero, realice el siguiente mantenimiento en forma periódica:

- \* Revise la unidad para detectar defectos evidentes, como cuchillas, accesorios o componentes flojos o dañados.
- \* Si la herramienta deja de funcionar adecuadamente, la reparación debe ser realizada por una persona calificada, y siempre se deben utilizar repuestos idénticos.

**PRECAUCIÓN:** Nunca limpie la cortadora con agua (especialmente, agua corriente); ya que existen riesgos de lesiones personales y daños a la herramienta.

Para obtener el mejor resultado en el corte, asegúrese de que las cuchillas estén afiladas y límpielas periódicamente con un paño suave y seco.

Para un mejor funcionamiento y una vida útil más prolongada, use aceite de máquina ligero para lubricar las cuchillas de cortar pasto y podar arbustos, antes y después de cada uso. Controle el estado de los bordes de corte de las cuchillas y siempre elimine inmediatamente las muescas y rebabas producidas por piedras, etc.

Las piezas en el interior del equipo no requieren mantenimiento adicional.

### LIMPIEZA / ALMACENAMIENTO

- \* Limpie el exterior de la herramienta a fondo con un paño y un cepillo suave. No utilice agua, solventes ni barnices.
- \* Elimine todos los desechos.
- \* Después de cada uso, cubra las cuchillas con los protectores provistos.
- \* Cargue la batería durante 3 a 5 horas antes de guardar la cortadora.
- \* Si planea almacenar la herramienta por un periodo largo o durante todo el invierno, cargue la batería al menos una vez cada tres meses para evitar que se dañe.
- \* Guarde la herramienta en un lugar seco, seguro y fuera del alcance de los niños.
- \* No coloque ningún objeto encima de la herramienta.
- \* Este producto no debe almacenarse en temperaturas superiores a 40°C (104°F) ni exponerse a la luz directa del sol.
- \* No guarde la herramienta en lugares con electricidad estática.

## PIEZAS Y SERVICIO

Para solicitar repuestos o servicio técnico, llame al 1-800-618-7474 o visite nuestra página [scotts.americanlawnmower.com](http://scotts.americanlawnmower.com). Asegúrese de proporcionar toda la información relevante cuando nos llame o visite.

### REPUESTOS (KITS / ARTÍCULOS)

El número de modelo/ de serie de esta herramienta se encuentra en una placa o etiqueta adjunta a la caja. Registre el número de serie en el espacio provisto a continuación.

MODELO N.º LSS10172S  
NÚMERO DE SERIE \_\_\_\_\_

**Mencione siempre el serial del modelo cuando ordene kits para el mismo.**

| No. | Kit/Item Number | Description  | QTY |
|-----|-----------------|--|-----|
| 1   | LSS-GSA         | Kit de montaje de hoja de cizalla                        | 1   |
| 2   | LSS-HTA         | Kit de montaje de cuchillas de cizallamiento de arbustos | 1   |
| 3   | LSS-PR-CHK      | Cargador   | 1   |

#### ELIMINACIÓN DE LA BATERÍA



El RBRC indica que los costos para reciclar la batería al final de su vida útil ya han sido pagados por The Great States Corporation American Lawn Mower Company. Es ilegal arrojar las baterías de iones de litio gastadas en un depósito municipal de residuos sólidos o en la basura. RBRC, en colaboración con The Great States Corporation/American Lawn Mower Company, ofrece una forma fácil y ecológica de reciclar las baterías de iones de litio gastadas. Simplemente comuníquese con el centro de reciclaje local o llame al 1-800-8-BATTERY para obtener información sobre dónde dejar las baterías gastadas.

## ¡LLÁMENOS PRIMERO!

Si tiene preguntas sobre el funcionamiento o el mantenimiento de su producto al 1.800.618.7474, de 8:00 a 17:00, hora estándar del este, o obtener asistencia en [scotts.americanlawnmower.com](http://scotts.americanlawnmower.com).



## MANUAL DEL OPERARIO

# LSS10172S Cizalla de litio sin cable de 7.2 voltios

Copyright. Todos los derechos reservados.

### GARANTÍA Política de garantía de Scotts

- **Garantía limitada de 2 años** para todas las herramientas manuales eléctricas Scotts a partir de la fecha de compra cuando se utilizan para uso personal, doméstico o familiar.

The Great States Corp. (GSC) garantiza al propietario original que este producto y pieza de servicio Scotts están libres de defectos de materiales y mano de obra y acepta reparar o reemplazar cualquier producto o pieza defectuosa durante el período de garantía indicado anteriormente.

- La garantía queda anulada si se utiliza con fines comerciales o industriales o cualquier otro uso inadecuado según lo determine GSC.
- La garantía no incluye las reparaciones necesarias debido al abuso o negligencia del operador (incluyendo la sobrecarga del producto más allá de su capacidad o la inmersión en agua), o la falta de montaje, operación, mantenimiento o almacenamiento del producto de acuerdo con las instrucciones del manual del propietario.
- Esta garantía no cubre
  - ◇ Elementos de desgaste, incluyendo pero no limitado a: correas y engranajes de transmisión, púas, cuchillas de cortadoras, hojas de segadora, cadenas de motosierra, hojas de trituración, ventiladores, cubiertas de carretes, hilo de desbrozadora, tubos de soplador y de vacío, barras guía, mangueras de alta presión, ruedas, manijas, barrenas, bolsas desgastadas, cables de alimentación y otros elementos que se someten a desgaste a lo largo del tiempo.
  - ◇ Desgaste de las baterías, incluyendo pero no limitado a: caídas, desgaste y rotura del cargador, exposición a oscilaciones extremas de temperatura (caliente o fría), batería dejada en el cargador demasiado tiempo, batería dejada sin cargar por demasiado tiempo, y mal uso o abuso de la batería.
- Esta garantía no cubre los daños causados por el frío, el calor, la lluvia, el exceso de humedad u otras condiciones ambientales extremas.
- Esta garantía no cubre el deterioro normal del acabado exterior ni el desgaste normal de los productos, incluidos, entre otros, los arañazos, grietas, abolladuras o daños causados por productos químicos externos.
- Esta garantía no es transferible y sólo se aplica a productos nuevos vendidos directamente por un distribuidor autorizado. Esta garantía no se aplica a ningún producto, nuevo o usado, comprado a través de canales de terceros no autorizados. Para obtener información sobre distribuidores autorizados, comuníquese con nuestra línea de ayuda de asistencia al cliente llamando al 1-800-618-7474 (de lunes a viernes, de 8 a. m. a 5 p. m., hora del este).
- Cualquier pérdida, daño o gasto incidental, indirecto o consecuente que pueda derivarse de cualquier defecto o mal funcionamiento de los productos no está cubierto por la garantía.
- La garantía no incluye la instalación, el montaje o los ajustes normales que se explican en el manual del operador. Los gastos de entrega del producto al vendedor y los gastos de devolución del producto o de las piezas de recambio al propietario no están cubiertos por la garantía.

#### Limitaciones adicionales de la garantía

Algunos estados no permiten la exclusión o limitación respecto de la duración de una garantía implícita; por lo tanto, es posible que las limitaciones enunciadas anteriormente no le correspondan. Los productos vendidos con averías o incompletos, vendidos en las condiciones que se encuentren, o vendidos como reacondicionados no están cubiertos por la garantía.

Daños ni inconvenientes causados por envío, manipulación inadecuada, instalación incorrecta, voltaje incorrecto, cableado incorrecto, mantenimiento deficiente, modificaciones inadecuadas o el uso de accesorios o dispositivos de sujeción no recomendados específicamente no están cubiertos por la garantía.

**Todos los reclamos de garantía deben estar acompañados de un comprobante de compra, recibo de compra original con fecha.**

**Para reclamos vaya a [scotts.americanlawnmower.com](http://scotts.americanlawnmower.com) o llame a nuestra línea de ayuda de asistencia al cliente al 1-800-618-7474 de lunes a viernes, de 8 a. m. a 5 p. m., hora del este.**



American Lawn Mower Company  
The Great States Corporation  
7444 Shadeland Station Way  
Indianapolis, IN 46256  
Estados Unidos  
Teléfono 1-800-618-7474  
[scotts.americanlawnmower.com](http://scotts.americanlawnmower.com)

Con el compromiso constante de mejorar la calidad, el fabricante se reserva el derecho de modificar los componentes o diseñar cambios cuando lo considere necesario.





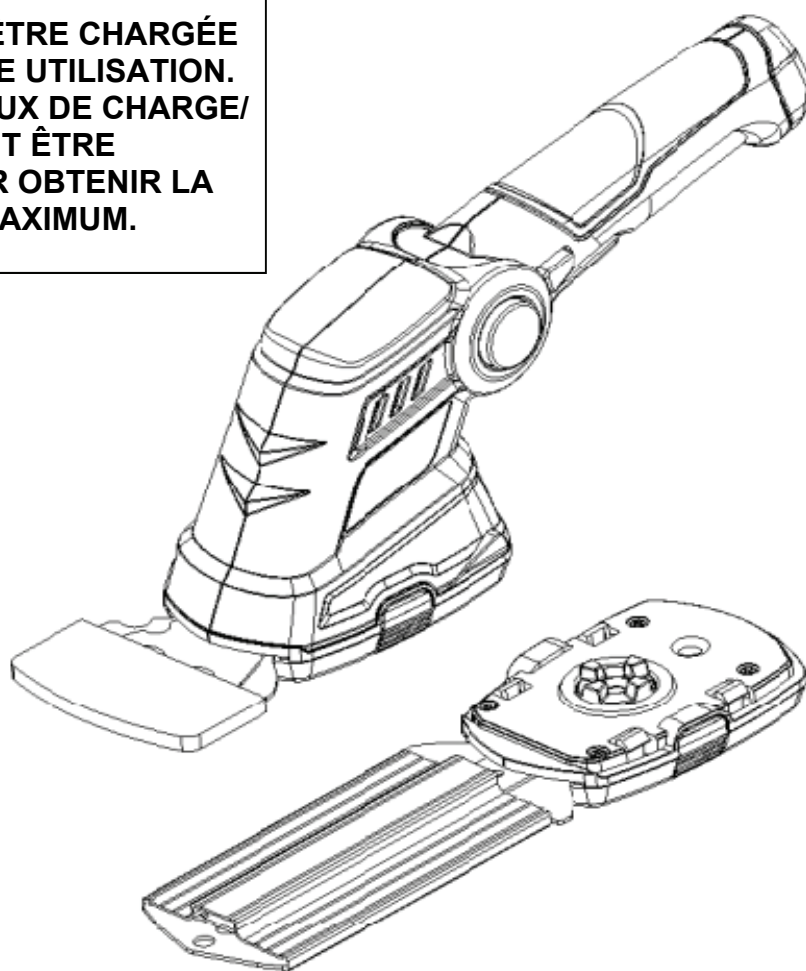
# MANUEL DE L'UTILISATEUR

## Cisaille sans fil de 7,2 volts au lithium

Copyright Tous droits réservés.

Modèle n° LSS10172S

LA BATTERIE DOIT ÊTRE CHARGÉE AVANT LA PREMIÈRE UTILISATION. 2 À 3 CYCLES INITIAUX DE CHARGE/ DÉCHARGE PEUVENT ÊTRE NÉCESSAIRES POUR OBTENIR LA DURÉE/CAPACITÉ MAXIMUM.



Intertek  
4009890



Chargeur conforme à CA est inclus (Modèle n °HYCH0900400U)

Ce produit a été conçu et fabriqué selon nos normes élevées de fiabilité, de facilité d'utilisation et de sécurité de l'utilisateur. Correctement entretenu, il vous procurera des années de service intensif et sans souci.



**AVERTISSEMENT** : afin d'éviter de se blesser, l'utilisateur doit lire et comprendre le manuel de l'utilisateur avant d'utiliser ce produit.

Merci pour votre achat.

**NE RENVOYEZ PAS CE PRODUIT AU MAGASIN. AVEZ-VOUS DES QUESTIONS CONCERNANT LE FONCTIONNEMENT, L'ASSEMBLAGE, LES PIÈCES OU LA RÉPARATION DU PRODUIT? ALLER À [SCOTTS.AMERICANLAWNMOWER.COM](http://SCOTTS.AMERICANLAWNMOWER.COM) OU COMPOSEZ LE 1-800-618-7474 DE 8 h 00 à 17 h 00, HEURE DE L'EST, POUR TOUTE ASSISTANCE.**

**CONSERVEZ CE MANUEL POUR POUVOIR LE CONSULTER ULTÉRIEUREMENT**



## AVERTISSEMENTS DE SÉCURITÉ IMPORTANTS



**POUR RÉDUIRE LE RISQUE DE BLESSURE** : avant toute utilisation, assurez-vous que toute personne utilisant ce produit a lu et compris toutes les consignes de sécurité et les autres renseignements contenus dans ce manuel.



**AVERTISSEMENT** : blessures et dommages!  
N'approchez pas les mains et les pieds et de l'outil de coupe, surtout quand les produits sont sous tension!  
Ne réglez jamais la tête de coupe quand le produit est en position «marche». Ne touchez pas les lames en mouvement.



Conservez ces instructions et relisez-les souvent avant d'utiliser le produit et lorsque vous apprenez son emploi à d'autres personnes.



**AVERTISSEMENT** : lorsque vous utilisez un appareil électrique, vous devez toujours respecter des consignes de sécurité de base afin de réduire le risque d'incendie, de décharge électrique et de blessures, notamment :

**LIRE TOUTES LES INSTRUCTIONS**

## SÉCURITÉ GÉNÉRALE



**ÉVITER LES ENVIRONNEMENTS DANGEREUX** – N'utilisez pas ce produit sous la pluie ou par temps orageux. N'utilisez pas l'appareil dans les atmosphères gazeuses ou explosives. Le moteur de ce produit émet normalement des étincelles capables d'enflammer les vapeurs chimiques.

**S'HABILLER DE FAÇON APPROPRIÉE** – Ne portez ni vêtements amples ni bijoux et portez une protection des cheveux pour contenir les cheveux longs. Ceux-ci risquent d'être happés par des pièces en mouvement. L'utilisation de gants en caoutchouc et de chaussures de protection est recommandée pour les travaux à l'extérieur.



**PORTER DES LUNETTES DE SÉCURITÉ** – Lors de l'utilisation de ce produit, portez des lunettes de sécurité avec des écrans latéraux, marquées à la norme ANSI Z87.1. Portez un masque facial ou anti-poussières si l'environnement est poussiéreux.



**DANGER** : risque de coupure. N'approchez pas les mains des lames.

**UTILISER LE BON OUTIL** – N'utilisez pas ce produit pour une tâche à laquelle il n'est pas destiné.



**AVERTISSEMENT!** Mettez l'outil hors tension avant le réglage ou le nettoyage.



**ATTENTION!** Les Lames continuent de bouger pendant quelques secondes après la mise hors tension de l'outil.

**ÉVITER UNE MISE EN MARCHÉ ACCIDENTELLE** - Ne portez pas ce produit avec un doigt sur le contacteur.



**IMPORTANT!** Toute utilisation qui n'est pas expressément permise dans le manuel peut endommager l'outil et placer l'utilisateur dans un grave danger. Lisez avec attention les limites dans les instructions d'utilisation.



**IMPORTANT!** Avant de chaque utilisation, vérifiez s'il n'y a pas de pièces usées ou endommagées. Vérifiez l'alignement des pièces mobiles, si des pièces mobiles sont coincées, brisées ou incorrectement montées, ainsi que toute autre condition pouvant nuire au fonctionnement de l'outil. Toute pièce endommagée doit être réparée ou remplacée de manière adéquate. Appelez notre service à la clientèle au 1-800-618-7474 pour obtenir une assistance.

**RANGER L'APPAREIL INUTILISÉ À L'INTÉRIEUR** – Lorsqu'elle n'est pas utilisée, la souffleuse à neige doit être rangée à l'intérieur dans un local sec, hors de portée des enfants.

**RESTER VIGILANT** – Regardez ce que vous faites. Faites preuve de bon sens. N'utilisez pas la outil si vous êtes fatigué ou sous l'influence de médicaments, de drogues ou d'alcool.



**DANGER** : si la lame se coince sur un câble ou un cordon électrique, **NE TOUCHEZ PAS LA LAME! ELLE PEUT ÊTRE SOUS TENSION ET ÊTRE TRÈS DANGEREUSE.** Lâchez l'appareil de la manière la plus sûre possible. Déconnectez le cordon ou le câble électrique endommagé de la source d'alimentation. Dans la mesure du possible, effectuez cette opération de manière sûre. En cas de doute, appelez un électricien ou l'entreprise d'électricité pour obtenir de l'aide. Le non respect de cette note de Danger peut entraîner des blessures graves.

**ÉCLAIRAGE** - N'utilisez la souffleuse à neige qu'à la lumière du jour ou sous un bon éclairage artificiel.

**NE PAS ESSAYER D'ATTEINDRE TROP LOIN** – Conservez toujours une assise correcte et un bon équilibre.



**DANGER** : Assurez-vous de désactiver gâchette du contacteur et de ne pas enfoncer le bouton de sécurité lorsque vous retirez des débris coincés entre les lames.

**ENTREtenir L'OUTIL AVEC ATTENTION** – Maintenez les lames de coupe affûtées et propres pour le meilleur rendement et pour réduire le risque de blessure. Maintenez la poignée sèche, propre et exempte d'huile et de graisse.

**GARDER HORS DE PORTÉE DES ENFANTS** – Tous les visiteurs, enfants et animaux domestiques doivent se tenir au-delà du périmètre de sécurité de la zone de travail.



**AVERTISSEMENT : Proposition 65 de la Californie** : Ce produit contient des agents chimiques connus dans l'État de la Californie pour causer le cancer et des malformations congénitales ou autres appareil reproducteur.



**AVERTISSEMENT:** Cancer ET Troubles de l'appareil reproducteur - [www.P65Warnings.ca.gov](http://www.P65Warnings.ca.gov).

## SÉCURITÉ GÉNÉRALE



### Avertissements FCC :

Veillez prendre note que des changements ou modifications à ce produit non expressément approuvés par le tiers responsable de la conformité peut annuler le droit de l'utilisateur à utiliser le produit.

REMARQUE : Cet équipement a été testé et trouvé conforme avec les limites d'un dispositif numérique de Classe B, suivant les règles de la Partie 15 du FCC. Ces limites existent pour offrir une protection raisonnable contre les interférences nuisibles lors d'une installation résidentielle. Cet équipement génère, utilise et peut émettre de l'énergie de radiofréquences et, s'il n'est pas installé et utilisé selon les présentes instructions, peut provoquer des interférences nuisibles aux communications radio.

Il n'existe cependant aucune garantie que des interférences ne vont pas se produire lors d'une installation en particulier. Si cet équipement produit des interférences nuisibles à la réception radio ou télévision, qui peuvent être déterminées en allumant et en éteignant l'appareil, l'utilisateur est encouragé à essayer de corriger les interférences grâce à l'une ou plusieurs des mesures suivantes :

- Réorienter ou déplacer l'antenne réceptrice.
- Augmenter la distance entre l'équipement et le récepteur.
- Brancher l'équipement sur une prise d'un circuit autre que celui auquel le récepteur est branché.
- Consulter le ou un technicien radio/télévision professionnel pour de l'aide.

## EXPLICATION DES SYMBOLES

Certains des symboles suivants peuvent apparaître sur ce produit. Examinez-les et apprenez leur signification. Une interprétation correcte des symboles vous permettra d'utiliser ce produit plus efficacement et en meilleure sécurité.



Précautions concernant votre sécurité.



**ATTENTION!** Lisez le manuel de l'utilisateur, et respectez les notices d'avertissement et les consignes de sécurité.



**ATTENTION!** Portez toujours une protection oculaire.



N'exposez pas l'outil à la pluie.



**AVERTISSEMENT!** Portez des gants de protection!



**AVERTISSEMENT!** Maintenez les personnes à l'écart.



**ATTENTION!** Portez des protections auditives!



**AVERTISSEMENT!** Portez des chaussures de sécurité!

## CHARGE DE LA BATTERIE

- La batterie doit être complètement chargée avant la première utilisation. La durée de charge est d'environ 3-5 heures. (Consultez la page 5 pour toute instruction.)
- Le chargeur de batterie fourni correspond à la batterie au lithium installée dans l'outil. N'utilisez PAS un autre chargeur pour recharger l'outil.
- Afin de protéger la batterie au lithium contre une décharge profonde, quand elle est à plat, l'outil se met automatiquement hors tension par l'intermédiaire d'un circuit de protection.



Si le contracteur de marche/arrêt est utilisé de façon continue à ce point, la batterie au lithium peut être endommagée. N'essayez pas de continuer d'utiliser l'outil sans avoir rechargé la batterie.



Les équipements électriques usagés ne doivent pas être éliminés avec les ordures ménagères. Recyclez l'appareil lorsque des installations à cet effet existent. Pour obtenir des conseils de recyclage, renseignez-vous auprès des autorités locales ou de votre vendeur.

## SPÉCIFICATIONS PRODUIT

Modèle : LSS10172S

Entrée : 7,2 V CC, 2,0 Ah

Capacité de la batterie : 2 000 mAh

Vitesse sans charge : 2 600 SPM

Entrée chargeur (adaptateur) : 100-120V 50/60 Hz CA

Durée de charge de la batterie : 3 à 5 heures

- Batterie lithium-ion

- Largeur de la lame des cisailles à gazon 90mm(3.54po)

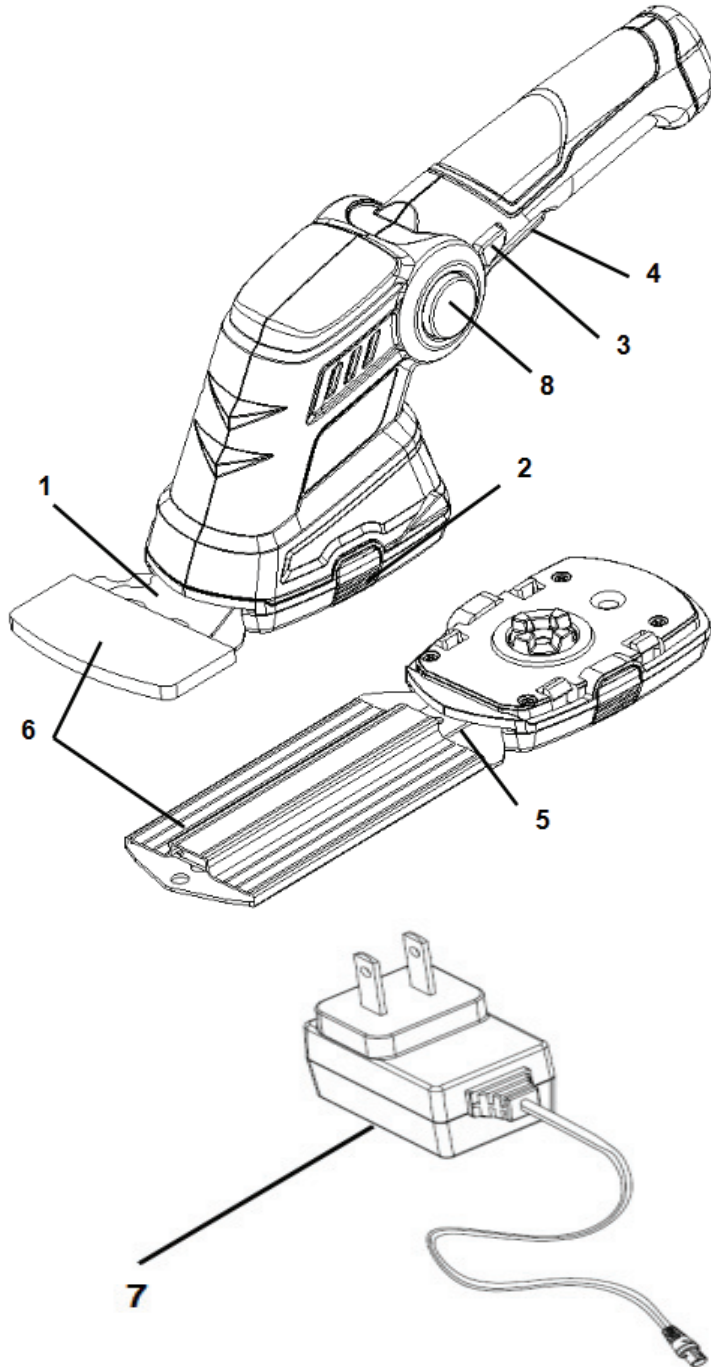
- Longueur de coupe de la lame de taille d'arbrisseaux  
170mm(6.69po)

- Largeur de coupe maximum de 0.8 cm (5/16 po)

- Système de changement de lame sans outil

## LISTE DES PIÈCES

|   |                                    |
|---|------------------------------------|
| 1 | Lame de coupe de gazon             |
| 2 | Contacteur de libération de lame   |
| 3 | Bouton de verrouillage de sécurité |
| 4 | Contacteur de marche/arrêt         |
| 5 | Lame de coupe d'arbrisseaux        |
| 6 | Protège-lames                      |
| 7 | Chargeur de batterie               |
| 8 | Bouton d'angle de rotation         |



## INSTRUCTIONS GÉNÉRALES

### LISTE DU CONTENU

- Cisaille avec lame de coupe de gazon montée
- Lame de coupe d'arbrisseaux
- Protections de lame
- Chargeur de batterie
- Manuel de l'utilisateur

### DÉBALLAGE

Enlevez avec précaution le produit et les accessoires du carton. Assurez-vous que tous les éléments figurant dans la liste du contenu sont inclus.

Inspectez soigneusement le produit pour vous assurer que rien n'a été cassé ou endommagé pendant le transport.

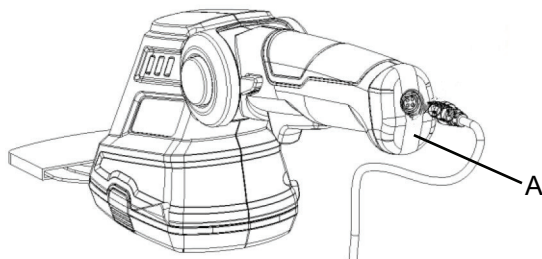
Ne jetez pas le matériau d'emballage tant que vous n'avez pas soigneusement inspecté et utilisé de façon satisfaisante.



**AVERTISSEMENT** : si de pièces sont endommagées ou manquantes, n'utilisez pas ce produit tant que les pièces ne sont pas remplacées. Le non respect de cette consigne peut entraîner de blessures graves. Appelez le 1-800-618-7474 pour obtenir de l'aide.

### PROCÉDURE DE CHARGE

1. Insérez le câble de chargeur dans l'entrée de charge sur l'outil.



2. Assurez-vous que la prise secteur murale est d'une tension domestique normale (120 V CA, 60 Hz). Insérez la prise du chargeur de batterie dans la prise secteur.
  3. Le voyant de charge à DEL rouge (A) s'allume pour vous indiquer que la batterie est en charge. La batterie est complètement chargée lorsque le voyant de charge à DEL rouge n'est plus allumé.
- \* Pendant le processus de charge, il est normal que la poignée de l'outil chauffe.
  - \* En cas d'inutilisation de l'outil pendant des périodes prolongées, débranchez le chargeur de batterie de la prise.
  - \* N'utilisez pas les cisailles de coupe quand elles sont en cours de charge.
  - \* Ne chargez la batterie qu'entre 0° et 37,8°C (32° et 100°F).
  - \* Après une utilisation prolongée, laissez la batterie refroidir avant de la recharger.

### DÉMARRAGE ET ARRÊT

#### Démarrage:

1. Appuyez simultanément sur le bouton de verrouillage de sécurité et sur le contacteur de marche/arrêt.
2. Relâchez le verrouillage de sécurité.

#### Arrêt:

1. Relâchez de déclenchement de marche/arrêt.

### INSTRUCTIONS D'UTILISATION

Ce produit est conçu pour la coupe légère d'arbrisseaux, de haies et de bords de gazon. Veuillez noter que cet outil n'est pas conçu pour une utilisation commerciale, professionnelle ou industrielle. N'utilisez ce produit qu'aux fins spécifiées dans ces instructions. Toute autre utilisation annulera la garantie.

#### LAME DE COUPE DE GAZON

Utilisez la lame de coupe de gazon pour la coupe de bordures de gazon et les petites surfaces de gazon dans les jardins privés et zones d'agrément.

La lame de coupe de gazon n'est pas conçue pour la coupe de haie ou le broyage de matériau pour le compostage.

#### Bordures

Guidez l'outil le long de la bordure du gazon.

Après l'utilisation, installez la protection de lame.

#### Conseils:

- Ne forcez pas l'appareil dans une végétation dense et, si les lames ralentissent, réduisez votre vitesse.
- Évitez de couper à proximité de la terre, du sable ou de graviers, car ceci peut émousser les lames et réduire l'efficacité de coupe.
- Ne laissez pas la lame toucher des surfaces à revêtement, des pierres ou des murets de jardin pour éviter une usure rapide de la lame.

#### LAME DE COUPE D'ARBRISSEAUX

Utilisez la lame de coupe d'arbrisseaux pour la coupe et la mise en forme de buissons individuels, d'arbrisseaux et de plantes grimpantes dans des jardins domestiques ou d'agrément.

La lame de coupe d'arbrisseaux n'est pas conçue pour la coupe de gazon/bordures.

#### Coupe d'arbrisseaux

- \* Avant l'utilisation, vérifiez que les arbrisseaux ne comportent pas d'objets étrangers, par exemple du fil de fer, etc.
- \* Lors de l'utilisation de l'outil, tenez-le loin de vous et tenez-vous dans une position sûre avec votre poids réparti uniformément sur les deux pieds.
- \* Lors de la coupe, bougez de façon régulière le long de la ligne de coupe afin que les tiges arrivent directement dans les lames de coupe.
- \* Après l'utilisation, installez la protection de lame.

## INSTRUCTIONS GÉNÉRALES

### Périodes recommandées de coupe/taille:

- Taillez les haies à feuillage caduque en juin et octobre.
- Taillez les haies à feuillage persistant en avril et août.
- Taillez les conifères et les autres arbrisseaux à croissance rapide environ toutes les six semaines entre mai et octobre.

### CHANGEMENT DES LAMES

**ATTENTION!** Les lames peuvent provoquer des blessures. Portez des gants pour changer les lames.

**ATTENTION!** N'appuyez pas sur le verrouillage de sécurité de la lame pendant les changements de celle-ci.

### Dépose des lames:

1. Appuyez sur le bouton de dégagement de la lame (A) et faites glisser la lame vers le bas pour la retirer, comme indiqué. (Fig. 1)

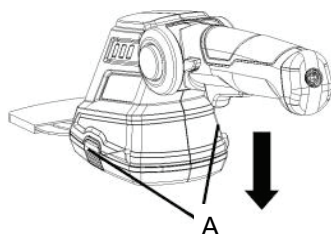


Fig. 1

2. Une fois la lame retirée, vous pourrez voir les roues dentées du réducteur (Fig. 2). Assurez-vous qu'aucune saleté ne pénètre dans le réducteur lors du changement de lame.  
Pour assembler, procédez dans l'ordre inverse.

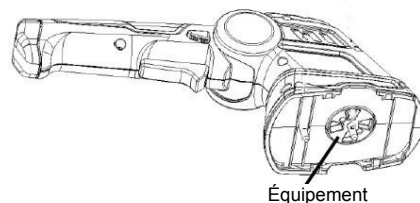


Fig. 2

### Réglage des angles de la poignée:

Pour enfoncer le bouton d'angle de rotation, tournez ensuite la poignée de la machine. (Fig. 3) Il y a 3 positions  $-30^\circ$  à  $+30^\circ$  gravées sur le boîtier.

Après avoir choisi la position souhaitée, relâchez le bouton d'angle de rotation.

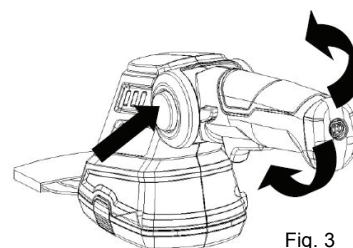


Fig. 3

## MAINTENANCE / NETTOYAGE / RANGEMENT

### MAINTENANCE:

**ATTENTION :** les lames peuvent provoquer des blessures. N'appuyez pas sur le verrouillage de sécurité de la lame pendant les travaux de maintenance.

Remarque : pour assurer un service long et fiable, effectuez régulièrement la maintenance suivante:

1. Vérifiez la présence de défaut évidents, comme une lame, des fixations ou des composants endommagés/desserrés.
2. Si l'outil ne fonctionne plus correctement, la réparation doit être effectuée par une personne qualifiée, qui utilise toujours des pièces de rechange identiques.

**ATTENTION :** Ne nettoyez jamais les cisailles dans de l'eau (surtout de l'eau courante) pour éviter le risque de blessure et d'endommagement des cisailles.

Pour obtenir des bons résultats de coupe, assurez-vous toujours que les lames sont affûtées et nettoyez-les de temps en temps avec un chiffon doux et sec.

Pour une utilisation plus facile et une durée de vie plus longue des lames, utilisez de l'huile légère pour machines afin de lubrifier les lames de coupe d'arbrisseaux et de gazon avant et après chaque utilisation.

Vérifiez l'état du fil de coupe des lames et éliminez immédiatement les encoches et ébavures provoquées par des cailloux etc.

Cet outil ne contient aucune pièce requérant un entretien additionnel.

### NETTOYAGE / RANGEMENT

- \* Nettoyez l'extérieur de l'outil à fond avec une brosse souple et un chiffon. N'utilisez pas d'eau, de solvants ou de produits de polissage.
- \* Retirez tous les débris ceux de l'outil.
- \* Après l'utilisation, couvrez les lames avec les protections fournies.
- \* Chargez la batterie 3-5 heures avant le rangement.
- \* Si l'outil doit être rangé pendant une durée prolongée ou pour l'hiver, chargez la batterie au moins une fois tous les trois mois pour la protéger contre une détérioration.
- \* Rangez l'outil dans un endroit sec, sûr et hors de portée des enfants
- \* Ne placez pas d'objet sur l'outil.
- \* Cet outil ne doit pas être rangé à plus de  $40^\circ\text{C}$  ( $104^\circ\text{F}$ ) ou être exposé à la lumière directe du soleil.
- \* Ne rangez pas l'outil dans des emplacements avec de l'électricité statique.

## PIÈCES ET SERVICE

### RÉPARATION

Pour les pièces ou la réparation, veuillez appeler le 1-800-618-7474 ou visitez-nous en ligne au [scotts.americanlawnmower.com](http://scotts.americanlawnmower.com). Veuillez fournir toute l'information pertinente lorsque vous nous appelez ou nous rendez visite.

### PIÈCES DE RECHANGE (KITS/ ARTICLES)

Le numéro de modèle/ de série de cet outil se trouve sur une plaque ou une étiquette fixée au bâti. Notez votre numéro de série dans l'espace prévu ci-dessous.

NUMÉRO DE MODÈLE LSS10172S

NUMÉRO DE SÉRIE \_\_\_\_\_

**Toujours mentionner le numéro de modèle lors de la commande de kits pour cet outil.**

| N° | Numéro de kit/<br>Numéro d'article | Description                           | Quantité |
|----|------------------------------------|---------------------------------------|----------|
| 1  | LSS-GSA                            | Kit de lame de cisaille à gazon       | 1        |
| 2  | LSS-HTA                            | Kit d'assemblage de lames de cisaille | 1        |
| 3  | LSS-PR-CHK                         | Chargeur                              | 1        |

#### MISE AU REBUT DE LA BATTERIE



La RBRC indique que les coûts de recyclage de la batterie à la fin de sa vie utile ont déjà été payés par American Lawn Mower Company de la Great States Corporation. Il est illégal de placer des batteries lithium-ion usagées dans les ordures domestiques de la localité ou dans les poubelles. RBRC, en coopération avec la société The Great States Corporation/American Lawn Mower Company, fournit un moyen facile et écologique de recycler les batteries lithium-ion usagées. Il suffit de communiquer avec votre centre de recyclage local ou d'appeler le 1-800-8BATTERY pour savoir où déposer la batterie usagée.

### APPELEZ-NOUS D'ABORD!!

Appelez-nous d'abord pour toute question concernant le fonctionnement ou la maintenance de produit au 1.800.618.7474 entre 8h00 et 17h00, heure normale de l'Est, ou obtenir de l'aide sur [scotts.americanlawnmower.com](http://scotts.americanlawnmower.com).



# MANUEL DE L'UTILISATEUR

## LSS10172S Cisaille sans fil de 7,2 volts au lithium

Droit d'auteur. Tous droits réservés.

### GARANTIE

#### Politique de garantie Scotts

- **Garantie limitée de 2 ans** sur tous les outils manuels électriques Scotts à compter de la date d'achat lorsqu'ils sont utilisés à des fins personnelles, domestiques ou familiales.

The Great States Corp. (GSC) garantit au propriétaire original que ce produit et cette pièce de rechange Scotts sont exempts de défauts de matériaux et de fabrication et accepte de réparer ou remplacer tout produit ou pièce défectueux pendant la période de garantie comme indiqué ci-dessus.

- La garantie est annulée en cas d'utilisation du produit à des fins commerciales ou industrielles ou à toute fin inappropriée comme déterminé par GSC.
- La garantie ne comprend pas les réparations nécessaires découlant d'un mauvais usage ou d'une négligence de l'utilisateur (y compris surcharger le produit au-delà de sa capacité ou l'immerger dans l'eau), ou le manquement à assembler, opérer, entretenir ou ranger le produit selon les instructions du manuel du propriétaire.
- Cette garantie ne couvre pas
  - ◇ L'usure des articles, notamment les - courroies et engrenages d'entraînements, dents, lames de coupe, lames de tondeuse, chaînes de scie, lames à déchiqueter, ventilateurs de souffluse, couvercles de dévidoir, ligne de coupe, tubes de souffluse et d'aspiration, barres-guides, tuyaux à haute pression, roues, poignées, tarières, sacs usés, câbles électriques et autres articles sujets à l'usure au fil du temps.
  - ◇ L'usure des batteries, y compris notamment - les chutes, l'usure et le bris sur le chargeur, l'exposition à des changements extrêmes de températures (chaud ou froid), la batterie laissée trop longtemps sur le chargeur, la batterie laissée trop longtemps non chargée, et une mauvaise utilisation ou un mauvais traitement de la batterie.
- Cette garantie ne couvre pas les dommages causés par le froid, la chaleur, la pluie, l'humidité excessive et les autres conditions environnementales extrêmes.
- Cette garantie ne couvre pas la détérioration normale de la finition extérieure ou l'usure normale sur les produits, y compris notamment les éraflures, fissures, entailles ou dommages causés par des produits chimiques extérieurs.
- Cette garantie n'est pas transférable et s'applique seulement aux nouveaux produits vendus directement par un détaillant autorisé. Cette garantie ne s'applique pas à tout produit, neuf ou d'occasion, acheté par le biais de canaux tiers non autorisés. Pour de l'information sur les détaillants autorisés, communiquez avec notre ligne directe du service à la clientèle au 1-800-618-7474 (lun. au ven., 8 h à 17 h, HNE)
- Tout dommage, perte ou frais consécutif, indirect ou conséquent qui pourrait résulter d'un défaut, d'une défaillance ou d'un dysfonctionnement du produit n'est pas couvert par la garantie.
- La garantie ne comprend pas l'installation, l'assemblage ou les réglages normaux expliqués dans le manuel de l'opérateur. Les frais de livraison du produit au vendeur et les frais de renvoi du produit ou des pièces de rechange au propriétaire ne sont pas couverts par la garantie.

#### Limites supplémentaires concernant la garantie

Certains États/provinces ne permettent pas l'exclusion ou la limitation de la durée d'une garantie implicite; les restrictions ci-dessus peuvent donc ne pas s'appliquer. Les produits vendus endommagés ou incomplets, vendus tels quels, vendus remis en état ne sont pas couverts par la garantie. Les dommages ou responsabilités provoqués par le transport, une mauvaise manipulation, un mauvais assemblage, une tension ou un câblage incorrect, une mauvaise maintenance, une modification incorrecte ou l'utilisation d'accessoires ou d'outils non spécifiquement recommandés ne sont pas couverts par cette garantie.

**Une preuve d'achat (original du reçu de vente daté) doit accompagner toute réclamation de garantie.**

**Pour les réclamations, allez à [scotts.americanlawnmower.com](http://scotts.americanlawnmower.com) ou communiquez avec notre ligne directe du service à la clientèle de 8 h à 17 h HNE, lun. au ven. au 1-800-618-7474**



American Lawn Mower Company  
The Great States Corporation  
7444 Shadeland Station Way  
Indianapolis, IN 46256 États-Unis  
Téléphone 1-800-618-7474  
[scotts.americanlawnmower.com](http://scotts.americanlawnmower.com)

Dans le cadre d'un engagement permanent d'amélioration de la qualité, le Fabricant se réserve le droit de modifier des pièces ou la conception de ce produit.