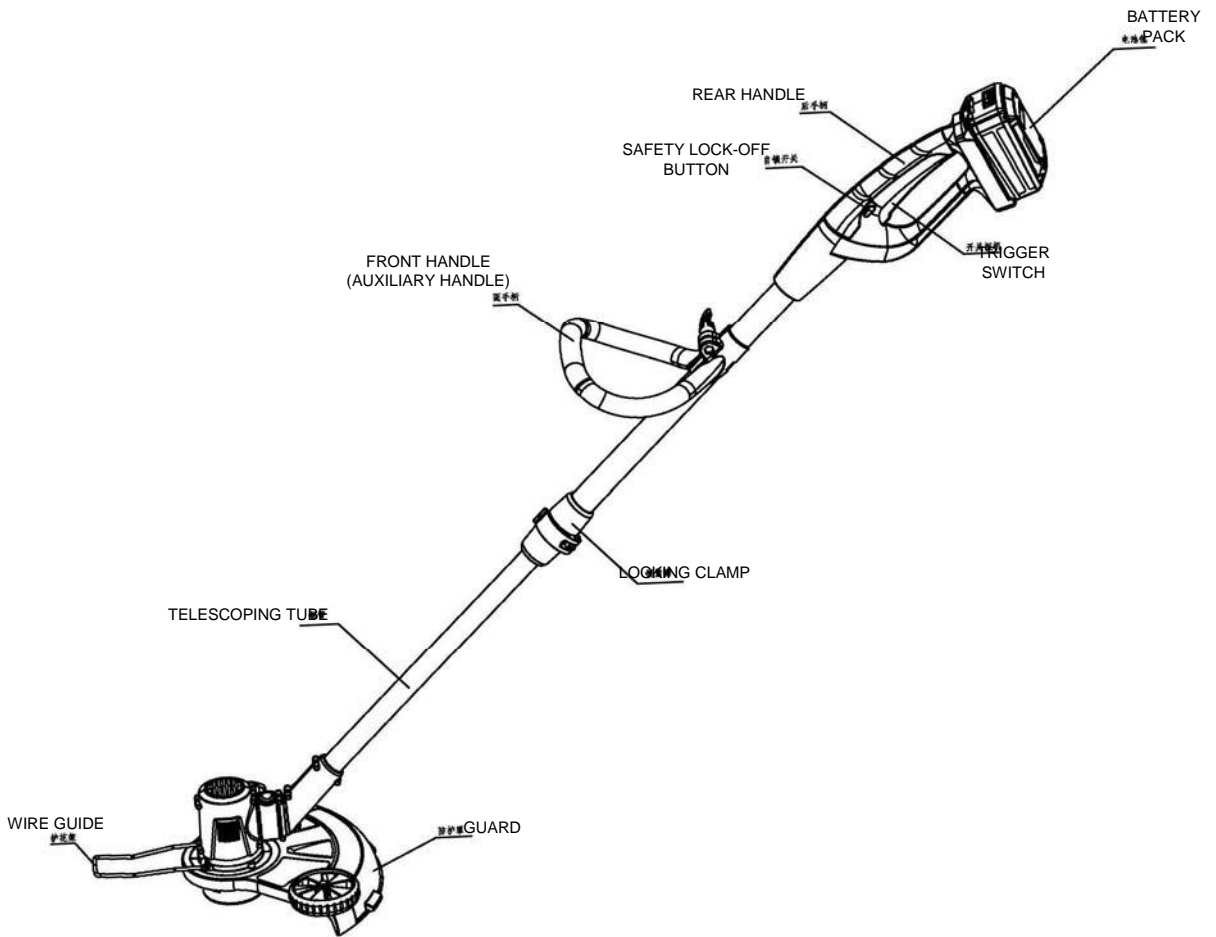


LST01324S

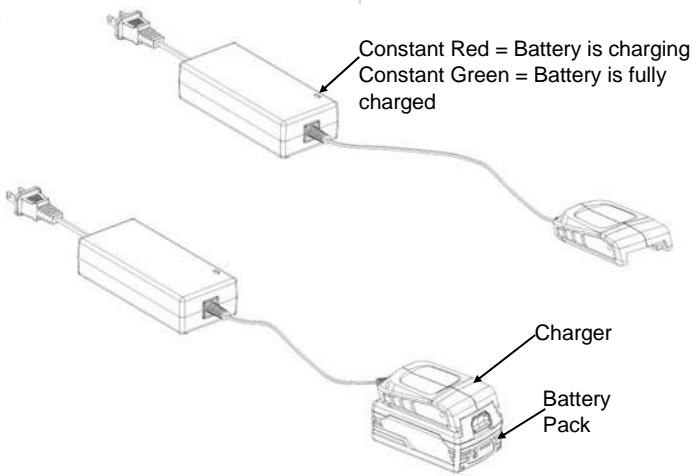
Input 24 V / 2.0 Ah, DC only
Speed 8500 RPM (11") ... 7500 RPM (13")
Cutting Width 11 or 13
in.
Weight 6.4 lb.
String Type 0.065" single
line

Automatic Feed - Edging Function - Adjustable Cutting Head



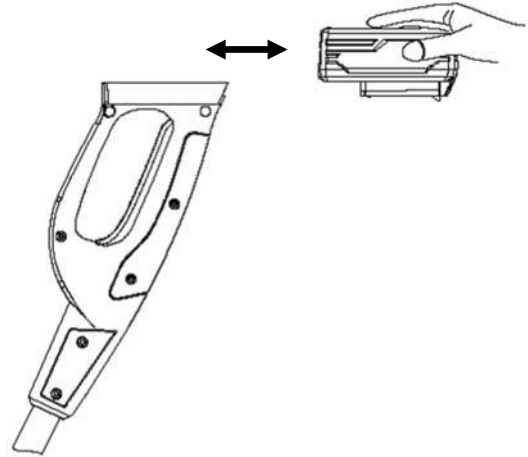
CHARGING THE BATTERY PACK

SEE CHARGER MANUAL FOR COMPLETE INSTRUCTIONS



INSTALLING AND REMOVING BATTERY PACK FROM THE UNIT

Slide the battery pack into the string trimmer (see picture). Ensure the battery is securely connected. To remove the battery, depress the release button and slide battery pack out of tool.



CHARGING THE BATTERY PACK

Charge the battery pack only with the charger provided. Allow at least 75 minutes of charge time before initial use of the string trimmer.

Make sure the power supply is normal household voltage, 120volts, 60Hz, AC only.

The battery charger should be operated in temperatures between 39 and 104 degrees F.

The battery should be charged in a cool, dry place. 2 to 3 initial charging/discharging cycles may be required to achieve maximum run time/capacity.

Do not attempt to open the charger or the unit. There are no customer serviceable parts inside. Call the customer service help line at 1-800-618-7474 for assistance.

DO NOT incinerate battery packs even if they are severely damaged or completely worn out. They can explode in a fire causing injury.

Use the battery charger indoors only.

Disconnect charger from the power supply when not in use to prevent damage to the charger during a power surge.

When fully charged, the battery can be safely stored in temperatures down to -4° F for a period of up to

BATTERY DISPOSAL

Remove the battery pack from the string trimmer. Cover the terminals with heavy duty adhesive tape. Do not attempt to destroy or disassemble battery pack or remove any components. This product contains lithium-ion batteries which must be recycled or disposed of properly. Local, state or federal laws may prohibit disposal of these batteries in ordinary trash.



The RBRC seal on the li-ion battery pack indicates that the costs to recycle the battery pack at the end of its useful life has already been paid by The Great States Corporation American Lawn Mower Company. It is illegal to place spent li-ion batteries in the local municipal solid waste or in the trash. RBRC in cooperation with The Great States Corporation American Lawn Mower Company has provided an environmentally friendly and easy way to recycle spent li-ion batteries. Just contact your local recycling center or call 1-800-8BATTERY for information on where to drop off the spent battery.

four weeks, before requiring charging. Fully charge battery pack every 90 days.

If over a period of time the battery pack quickly runs down after a full 75 minutes charging period, a replacement battery pack is needed.

To prevent permanent damage to the battery, never store in a discharged condition.

WINTER STORAGE—Fully recharge before storage and then again every 90 days.

Since the battery will not develop a memory, it does not have to be fully discharged before recharging.

A small leakage of liquid from the battery cells may occur under extreme usage, charging or temperature conditions.

This does not indicate a failure. However, if the outer seal is broken and this leakage gets on your skin. a.

Wash quickly with soap and water.

- Neutralize with a mild acid such as lemon juice or vinegar.
- If the battery liquid gets in your eyes, flush them with clean water for a minimum of 10 minutes and seek immediate medical attention.

ASSEMBLY

UNPACKING

This product requires some assembly. (Phillips Head screwdriver)

PACKING LIST

- String Trimmer
- Safety Guard