



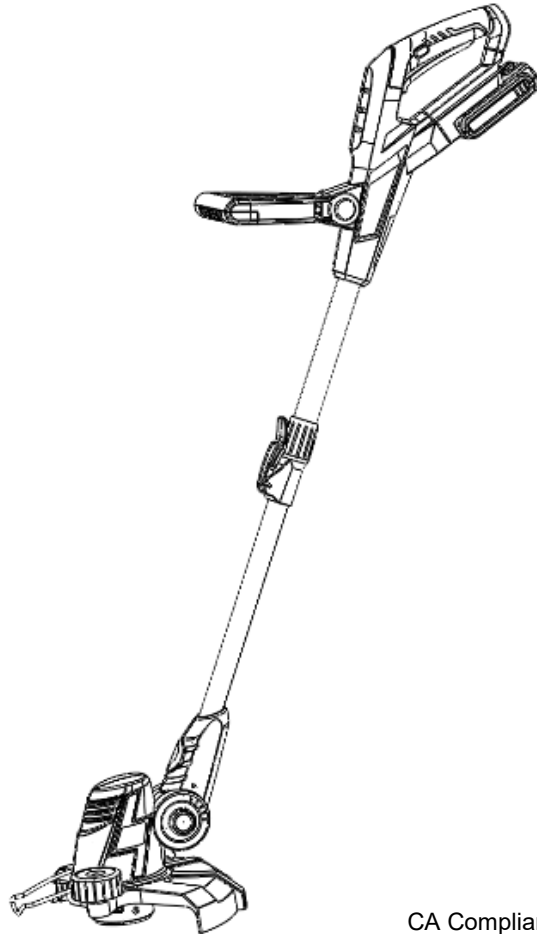
# OWNER'S MANUAL

## CORDLESS STRING TRIMMER/20V LITHIUM-ION BATTERY PACK

Copyright. All Rights Reserved.

### Model LST02012S

**BATTERY MUST BE CHARGED BEFORE FIRST USE. TWO TO THREE INITIAL CHARGING/DISCHARGING CYCLES MAY BE REQUIRED TO ACHIEVE MAXIMUM RUN TIME/CAPACITY.**



CA Compliant Charger Included (Model No. CHL82000)

Your string trimmer has been engineered and manufactured to our high standard for dependability, ease of operation, and operator safety. Properly cared for, it will give you years of rugged, trouble-free performance.



**WARNING:** To reduce the risk of injury, the user must read and understand the owner's manual before using this product.

Thank you for your purchase.

**DO NOT RETURN THIS PRODUCT TO THE STORE. OPERATING, ASSEMBLY, PART, SERVICE QUESTIONS? GO TO [SCOTTS.AMERICANLAWNMOWER.COM](http://SCOTTS.AMERICANLAWNMOWER.COM) OR CALL 1-800-618-7474 BETWEEN 8:00AM-5:00PM EST FOR ASSISTANCE.**

---

**SAVE THIS MANUAL FOR FUTURE REFERENCE**

---

## ⚠ IMPORTANT SAFETY WARNINGS ⚠

### TO REDUCE RISK OF INJURY:

Before any use, be sure everyone using this tool reads and understands all safety instructions and other information contained in this manual.

- ⚠ **CAUTION:** Wear appropriate personal hearing protection during use. Under some conditions and duration of use, noise from this product may contribute to hearing loss.

**KEEP CHILDREN AWAY** - All visitors, children and pets should stay at a safe distance from the work area.

**DRESS PROPERLY** – Don't wear loose clothing or jewelry.

Wear protective hair covering to contain long hair. They can be caught in moving parts. Use of rubber gloves and substantial footwear is recommended when working outdoors. Always wear long pants while operating this string trimmer.

**USE SAFETY GLASSES** –Wear safety glasses with side shields or goggles that are marked to comply with ANSI Z87.1 standard when operating this product. Use face or dust mask if operation is dusty.

**USE RIGHT APPLIANCE** – Do not use appliance for any job except that for which it is intended.

**REMOVE THE BATTERY FROM THE STRING TRIMMER** when not in use or when servicing or cleaning. Do not leave unattended.

**CHECK DAMAGED PARTS** – Before further use of the string trimmer, a guard or other part that is damaged should be carefully checked to determine that it will operate properly and perform its intended function. Check for alignment of moving parts, binding of moving parts, breakage of parts, mounting and any other condition that may affect its operation. A guard or other part that is damaged should be properly repaired or replaced. Call our customer service help line at 1-800-618-7474 for assistance.

**LIGHTING** - Only operate trimmer in daylight or good artificial light.

**DON'T OVERREACH** – Keep proper footing and balance at all times.

- ⚠ **WARNING:** Do Not use the string trimmer with any type of accessory or attachment. Such usage might be hazardous.

**AVOID DANGEROUS ENVIRONMENTS** – Don't use trimmer in rain, damp or wet locations. Do not operate trimmer in gaseous or explosive atmospheres. Motors in these tools normally spark, and the sparks might ignite fumes.

**AVOID UNINTENTIONAL STARTING** – Be sure switch trigger is in the locked or off position before inserting battery pack. Carrying tools with your finger on the switch trigger or inserting the battery pack into a tool with the switch on invites accidents.

- ⚠ **DANGER:** Risk of cut. Keep hands away from lines. Keep both hands on handles when power is on.

- ⚠ **DANGER:** Don't use tool if switch trigger does not turn it on or off. Call Customer Service for assistance.

- ⚠ **DANGER:** Do not dispose of the batteries in a fire. The cell may explode. Check with local codes for possible special disposal instructions.

- ⚠ **DANGER:** Do not open or mutilate the batteries. Released electrolyte is corrosive and may cause damage to the eyes or skin. It may be toxic if swallowed.

- ⚠ **WARNING:** Keep guards in place and in working order.

- ⚠ **WARNING:** Keep hands and feet away from cutting area.

**DO NOT ATTEMPT** to remove cut material or hold material to be cut when lines are moving. Make sure trimmer switch is off when clearing jammed material from guard. Do not grasp the guard or lines when picking up or holding the trimmer.

- ⚠ **CAUTION:** Lines coast after turned off.

**DON'T FORCE STRING TRIMMER** – It will do the job better and with less likelihood of a risk of injury at the rate for which it was designed.

**STAY ALERT** – Watch what you are doing. Use common sense. Do not operate string trimmer when you are tired or under the influence of medications, drugs or alcohol.

**STORE IDLE STRING TRIMMER INDOORS** – When not in use, your string trimmer should be stored indoors in a dry and high or locked-up place, out of reach of children.

- ⚠ **WARNING:** Do not operate the equipment while barefoot or when wearing sandals or similar lightweight footwear. Wear protective

Save these instructions and review frequently prior to use and in instructing others.

- ⚠ **WARNING:** When using electric gardening appliances, basic safety precautions should always be followed to reduce risk of fire, electric shock, and personal injury, including the following:

### READ ALL INSTRUCTIONS

footwear that will protect your feet and improve your footing on slippery surfaces.

- ⚠ **WARNING:** Use only identical manufacturer's recommended replacement parts. Use of any other parts may create a hazard or cause product damage.

- ⚠ **WARNING:** Use only the manufacturer's recommended replacement string in the cutting head when using a string trimmer attachment. Do not use any other cutting attachment, for example, metal wire, rope, or the like. To install any other brand of cutting head to the string trimmer attachment can result in serious personal injury.

**MAINTAIN TRIMMER WITH CARE** – Keep guard and handles clean for best performance and to reduce the risk of injury. Keep handles dry and free from oil and grease.

- ⚠ **WARNING:** California Proposition 65: This product contains chemicals known to the State of California to cause cancer, birth defects or other reproductive harm.

- ⚠ **WARNING:** Some dust created by this product could contain chemicals known to the State of California to cause cancer and birth defects or other reproductive harm. Some examples of these chemicals are:

- chemicals in fertilizers
- compounds in insecticides, herbicides and pesticides
- arsenic and chromium from chemically treated lumber

Your risk from exposure to these chemicals varies, depending on how often you do this type of work. To reduce your exposure to these chemicals, wear approved safety equipment such as dust masks that are specially designed to filter out microscopic particles.

- ⚠ **WARNING:** Cancer and Reproductive Harm - [www.P65Warnings.ca.gov](http://www.P65Warnings.ca.gov).

- ⚠ **CAUTION:** Use only the following type and size battery(ies): BL82120.

- ⚠ **CAUTION:** Exercise care in handling batteries in order not to short the battery with conducting materials such as rings, bracelets, and keys. The battery or conductor may overheat and cause burns. When battery pack is not in use, keep it away from other metal objects, like paper clips, coins, keys, nails, screws or other small metal objects, that can make a connection from one terminal to another. Shorting the battery terminals together may cause burns or a fire.

- ⚠ **CAUTION:** Disconnect the battery pack from the appliance before making any adjustments, changing accessories, or storing appliance. Such preventive safety measures reduce the risk of starting the appliance accidentally.

- ⚠ **CAUTION:** Do not use a battery pack or appliance that is damaged or modified. Damaged or modified batteries may exhibit unpredictable behavior resulting in fire, explosion or risk of injury.

- ⚠ **CAUTION:** Do not expose a battery pack or appliance to fire or excessive temperature. Exposure to fire or temperature above 130° C (265°F) may cause explosion.

- ⚠ **CAUTION:** Follow all charging instructions and do not charge the battery pack or appliance outside of the temperature range specified in the instructions. Charging improperly or at temperatures outside of the specified range may damage the battery and increase the risk of fire.

- ⚠ **CAUTION:** Have servicing performed by a qualified repair person using only identical replacement parts. This will ensure that the safety of the product is maintained.

- ⚠ **CAUTION:** Do not modify or attempt to repair the appliance or the battery pack (as applicable) except as indicated in the instructions for use and care.

# FEATURES

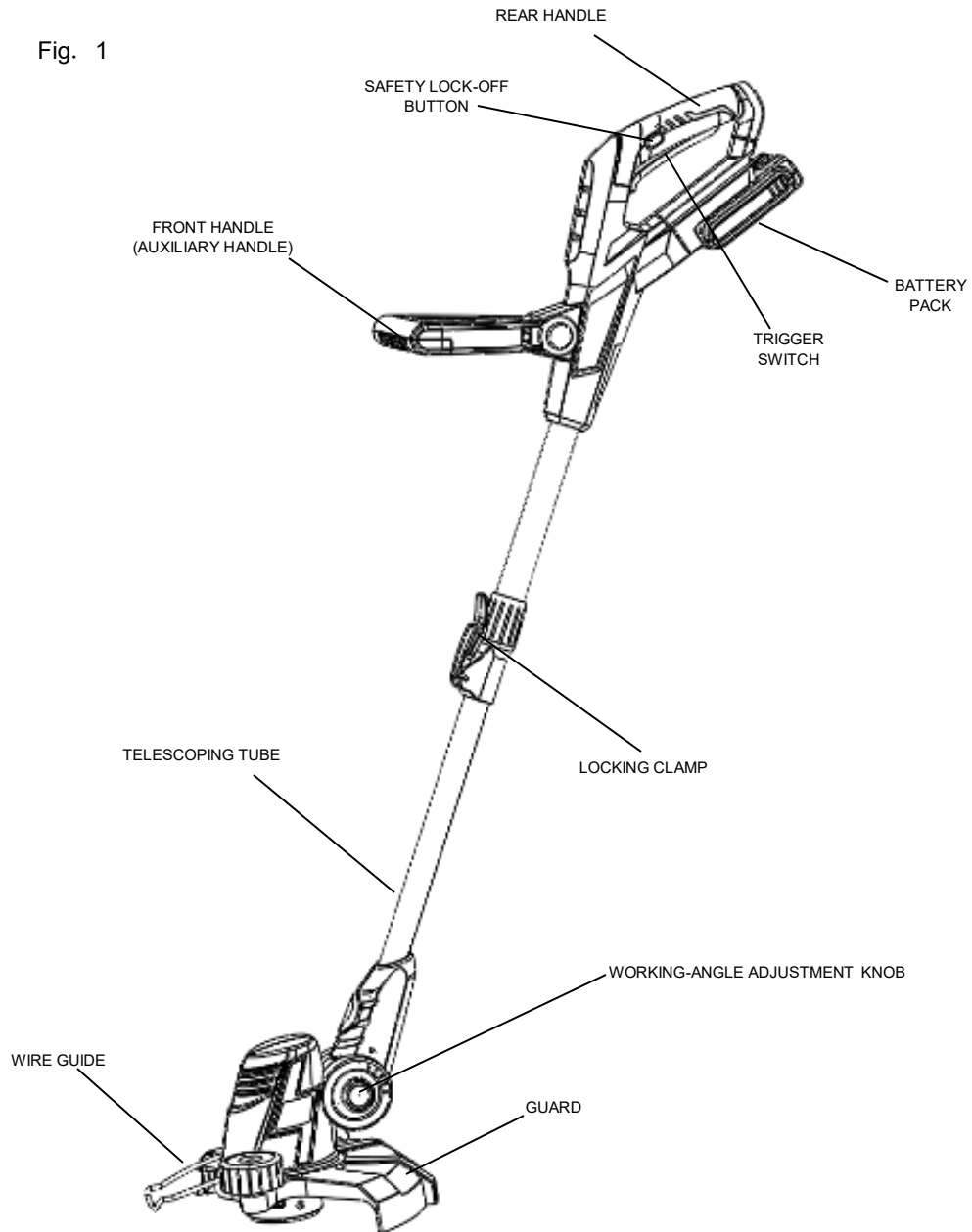
## PRODUCT SPECIFICATIONS

### LST02012S

Input .....	20 V / 2.0 Ah, DC only
Speed .....	8000 RPM
Cutting Width .....	.12 in.
Weight .....	.5 lb.
String Type .....	0.065" single line

Automatic Feed - Edging Function - Adjustable Cutting Head

Fig. 1



# ASSEMBLY

## UNPACKING

This product requires some assembly.

## PACKING LIST

- String Trimmer
- Safety Guard
- Front/Auxiliary Handle
- Charger and Battery Pack
- Owner's Manual
- Hardware Bag

**⚠ WARNING:** Do not install battery until assembly is complete. Failure to comply could result in accidental starting and possible serious personal injury.

**⚠ WARNING:** If any parts are damaged or missing do not operate this product until the parts are replaced. Failure to heed this warning could result in serious personal injury.

Carefully remove the product and any accessories from the box. Make sure that all items listed in the packing list are included. Inspect the product carefully to make sure no breakage or damage occurred during shipping. Do not discard the packing material until you have carefully inspected and satisfactorily operated the product.

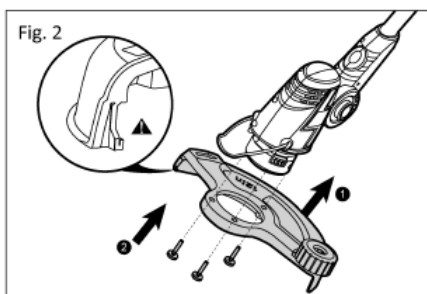
If any parts are damaged or missing, please call 1-800-618-7474 for assistance.

## ATTACHING THE GUARD

**⚠ WARNING:** Do not operate the trimmer without the guard attached.

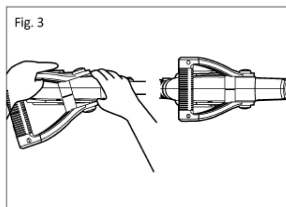
Always wear gloves when mounting or replacing the guard. Be careful of the blade on the guard and protect your hands from being injured by the blade. Position the guard on the trimmer, then attach the guard with the supplied screws. (Fig. 2)

**NOTE:** A guide wheel is pre-mounted on the guard to make the edge-cutting function easier.

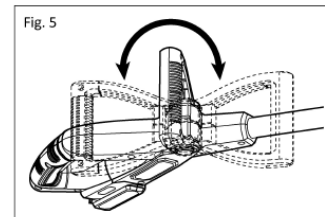
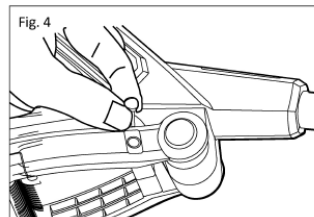


## ATTACHING THE AUXILIARY HANDLE

- Place one ribbed hole at the base of the auxiliary handle over the knob located at the lower portion of the rear handle.
- Press the other ribbed hole over the knob on the other side of the rear handle. (Fig.3.)

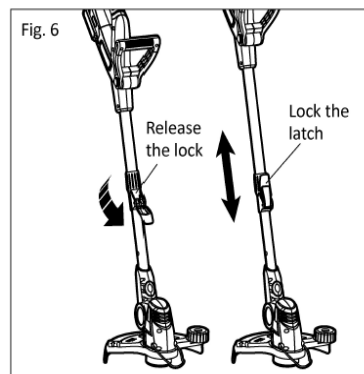


- Screw the front handle firmly into place with the ST 4.2 X 18 screw included. (Fig. 4)
- You can easily adjust the handle by pressing both sides of the knobs at the same time. (Fig 5)



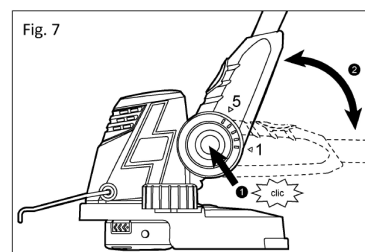
## HEIGHT ADJUSTMENT

The overall height of the trimmer can be adjusted. Release the clamp on the tube. The tubes can then be adjusted shorter or longer. When the desired height is achieved, lock in place with the clamp. (Fig. 6)



## CHANGING THE WORKING ANGLE

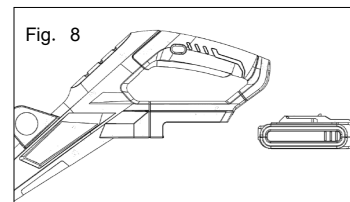
The trimmer can be set in any of five different operating angles. Press and hold the locating button. Set the desired operating angle. Angle positions 1 and 2 are for edge cutting. 3, 4 and 5 Angle positions are for normal cutting. Release the locating button. (Fig.7)



## INSTALLING AND REMOVING BATTERY PACK FROM THE UNIT

Slide the battery pack into the string trimmer (see illustration).

Ensure the battery is securely connected. To remove the battery, depress the release button and slide battery pack out of tool. (Fig. 8)



# OPERATING

## TO TURN THE TOOL ON

Push the lock button in with your thumb and then squeeze the trigger with your fingers. (Once the tool is running, you can release the lock button). To turn the tool OFF, release the trigger.

Before you start the unit, make sure the trimmer is not contacting any object.

**⚠ WARNING:** Stones, pieces of metal and other objects can be thrown out at high speed by the line. The unit and guard are designed to reduce the danger.

**⚠ WARNING:** To guard against injury, observe the following:  
Read owner's manual before using, save owner's manual.  
Keep hands away from lines.  
Keep hands on handles. Don't overreach.

If you strike or become entangled with a foreign object, stop tool immediately, check for damage and have any damage repaired before further operation is attempted. Do not operate with a broken hub or spool.

# OPERATING

## CUTTING INSTRUCTIONS

**CAUTION:** Lines coasts after turn off.  
Do not use under wet conditions.

**CAUTION:** Inspect area to be trimmed and remove any wire, cord, or string-like objects which could become entangled in the rotating line or spool. Be particularly careful to avoid any wire which might be bent outwardly into the path of the tool, such as barbs at the base of a chain link fence.

### Proper Cutting Stance

Weight should be balanced with both feet on solid ground.

### Basic Cutting Procedure

Slowly swing trimmer side-to-side as shown.



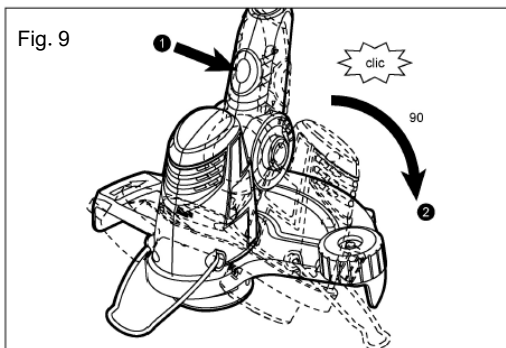
### EDGING

The edge cutting function enables precise and easy cutting along the lawn edge. Press the locating button on the angle adjustment knob and simultaneously turn the head of the trimmer 90 degree.

**NOTE:** To make working easier, in this position, the device can be guided along the ground on the guide wheel.

Return to trimming position by turning the tool off, push in the button and rotate the trimmer head clockwise until it stops. When using the tool in the trimmer mode you may choose to fold the wire edge guide up out of the way.

**WARNING:** Do not trim near electrical wires or buildings.



**WARNING:** Do not allow familiarity with this type of product to make you careless. Remember that a careless fraction of a second is sufficient to inflict serious injury.

Do not operate a string trimmer in a tree, on a ladder, or on a scaffold; this is extremely dangerous.

Wear non-slip gloves for maximum grip and protection.

### LINE FEEDING

Your trimmer uses .065" (1.65mm) diameter nylon line to cut grass and weeds quickly and easily. In time, the tip of the nylon line will become worn and the auto feed mechanism will automatically feed and trim a fresh length of line. The cutting line will wear faster if the cutting is done along sidewalks or other abrasive surfaces or heavier weeds are being cut. The line will extend approximately 1/4 in. with each stop and start of the switch trigger until the line reaches the length of the grass deflector blade. **Do not bump unit on ground** in attempt to feed line or for any other purpose.

### Automatic feed

With each switching off and on, the line is adjusted out of the spool hub.

**NOTE:** Frequently switching on and off without reason results in increased line wear.

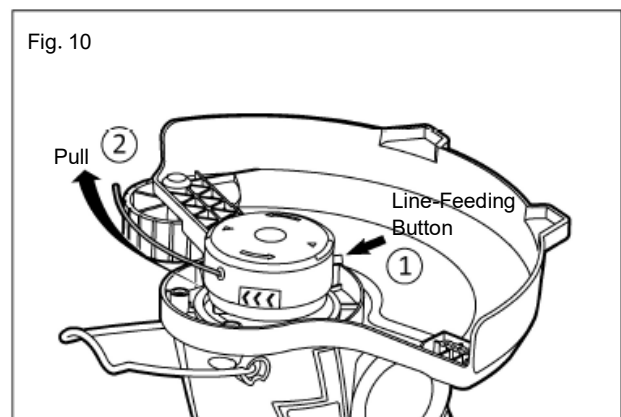
**NOTE:** If the cutting line becomes too short during operation due to wear, switch the device off and then back on again to extend the working length of the cutting line automatically.

### Manual feed

If your trimmer line hits sharp or abrasive objects, such as stones, metal pieces or concrete the trimmer line can be cut too short to continue trimming. In this case, you can manually extend the line ( Fig 10):

1. REMOVE THE BATTERY PACK.
2. Press the line-feeding button with one hand while pulling the line out with the other.
3. Press the button repeatedly to release line to the proper length. Each press of the button will release approximately 1/4 inch of line. (Note: Release only enough line to extend just beyond the blade. If too much line is released, the blade will be unable to cut it to the correct working length and it may become tangled on the rotating shaft.)
4. Install the battery pack.
5. Restart the trimmer and return to normal operation.

Fig. 10



## OPERATING

### REPLACING SPOOL / CLEARING JAMS AND TANGLED LINES

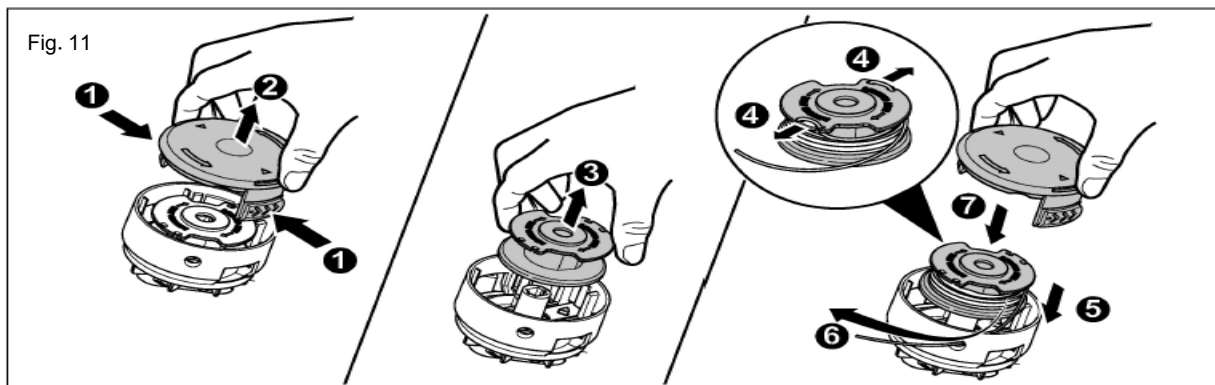
From time to time, especially when cutting thick or stocky weeds, the line feeding hub may become clogged with sap or other material and the line will become jammed as a result. To clear the jam, follow these steps.

- Turn off the trimmer and remove the battery.
- Press the release tabs on the line spool retainer<sup>①</sup> and remove the cover<sup>②</sup> by pulling it straight off.
- Remove the line spool<sup>③</sup>. If necessary, remove any dirt.
- Extend the line jammed or tangled out of the spool fitting<sup>④</sup>.
- Insert the spool in the line receptacle<sup>⑤</sup>.
- Thread the end of the line through the eyelet of the spool retainer<sup>⑥</sup>.
- Firmly press both tabs of the spool cover together at the same time, and push the cap onto the spool until it engages<sup>⑦</sup>.

### REWINDING SPOOL FROM BULK LINE (USE ONLY .065" DIAMETER LINE)

Bulk line for your trimmer/edger is available at extra cost from your local dealer. To install bulk line, follow these steps:

- Turn off the trimmer and remove the battery.
- Press the release tabs on the line spool cover as shown in Fig. 11, and remove the cover by pulling it straight off. Remove the spool from the tool and remove and discard all line on the spool.
- Insert one end of the bulk line into the hole in the spool.
- Hold the line in the hole and pull the rest of the line through the slot in the spool.
- Snugly and evenly wind the bulk line onto the spool in the direction of the arrow until it is nearly full.
- Insert the line end through the eyelet in the spool hub. Pull the line through the hole to maintain tension while placing the spool down into the hub with the notched side exposed.
- Press the spool down GENTLY and rotate it until you feel it drop into place. (When in place, the spool will turn a few degrees left and right freely.)
- Snap the spool cover back on, insert the battery and turn the tool on. In a few seconds you'll hear the nylon line being cut automatically to the proper length.



## MAINTENANCE

**⚠ CAUTION:** Do not at any time let brake fluids, gasoline, petroleum based products, penetrating oils, etc., come in contact with plastic parts. They contain chemicals that can damage, weaken or destroy plastic.

Make sure the battery is detached from the unit, then use only mild soap and a damp cloth to clean the tool. Never let any liquid get inside the tool; never immerse any part of the tool into a liquid.

Fertilizers and other garden chemicals contain agents which greatly accelerate the corrosion of metals. Do not store the tool on or adjacent to fertilizers or chemicals.

**⚠ IMPORTANT:** To assure product SAFETY and RELIABILITY, repairs, maintenance and adjustment should be performed by a qualified individual using only identical replacement parts.

If you drop the trimmer, carefully inspect it for damage. If the guard is bent or cracked, handles broken or if you see any other condition that may affect the trimmer's operation, it must be repaired before putting it back into use. Call our customer service help line at 1-800-618-7474 for assistance.

# CHARGING THE BATTERY PACK

Charge the battery pack only with the charger provided.

Allow at least 60 minutes of charge time before initial use of the string trimmer.

Make sure the power supply is normal household voltage, 120volts, 60Hz, AC only.

The battery charger should be operated in temperatures between 39 and 104 degrees F.

The battery should be charged in a cool, dry place.

Two to three initial charging/discharging cycles may be required to achieve maximum run time/capacity.

Do not attempt to open the charger or the unit. There are no customer serviceable parts inside. Call the customer service help line at 1-800-618-7474 for assistance.

DO NOT incinerate battery packs even if they are severely damaged or completely worn out. They can explode in a fire causing injury.

Use the battery charger indoors only.

Disconnect charger from the power supply when not in use to prevent damage to the charger during a power surge.

When fully charged, the battery can be safely stored in temperatures down to -4° F for a period of up to

four weeks, before requiring charging.

Fully charge battery pack every 90 days.

If over a period of time the battery pack quickly runs down after a full 60 minutes charging period, a replacement battery pack is needed.

To prevent permanent damage to the battery, never store in a fully discharged condition.

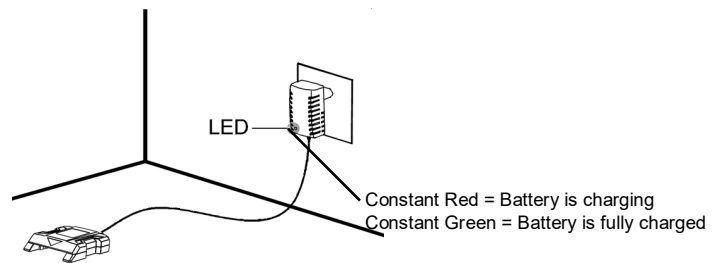
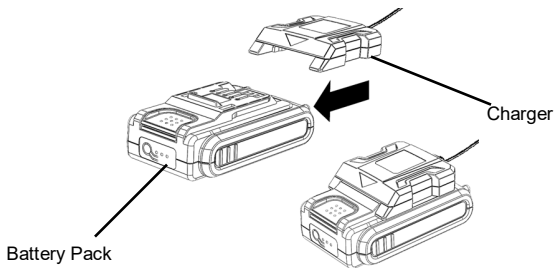
**WINTER STORAGE**—Fully recharge before storage and then again every 90 days.

Since the battery will not develop a memory, it does not have to be fully discharged before recharging.

A small leakage of liquid from the battery cells may occur under extreme usage, charging or temperature conditions. This does not indicate a failure. However, if the outer seal is broken and this leakage gets on your skin.

- a. Wash quickly with soap and water.
- b. Neutralize with a mild acid such as lemon juice or vinegar.
- c. If the battery liquid gets in your eyes, flush them with clean water for a minimum of 10 minutes and seek immediate medical attention.

## TO CHARGE - SEE CHARGER MANUAL FOR COMPLETE INSTRUCTIONS



## TROUBLESHOOTING

Problem	Possible Cause	Possible Solution
-Unit does not Run	-Battery not making contact -Trigger switch not operational -Battery not installed properly -Battery not charged	-Check battery is fully inserted -Check that lock off button is fully forward prior to moving trigger -Check battery installation -Check battery charging requirements
-Line won't feed	-Line tangled in spool	-Unwrap 24" of line and re-wind
-Line fails to cut off	-Line cutter in guard is damaged or missing	-Replace guard
-Battery will not charge	-Battery not inserted into charger -Charger not plugged in  -Surrounding air temperature too hot or too cold	-Insert battery into charger until red LED appears -Plug charger into a working outlet -Check current at receptacle by plugging in a lamp or other appliance -Check to see if receptacle is connected to a light switch which turns power off when you turn out the lights -Move charger and tool to a surrounding air temperature of about 39 degree F (4 degree C) or below 104 degree F (40 degree C)

### BATTERY DISPOSAL

Remove the battery pack from the string trimmer. Cover the terminals with heavy duty adhesive tape. Do not attempt to destroy or disassemble battery pack or remove any components. This product contains lithium-ion batteries which must be recycled or disposed of properly. Local, state or federal laws may prohibit disposal of these batteries in ordinary trash.



The RBRC seal on the li-ion battery pack indicates that the costs to recycle the battery pack at the end of its useful life has already been paid by The Great States Corporation American Lawn Mower Company. It is illegal to place spent li-ion batteries in the local municipal solid waste or in the trash. RBRC in cooperation with The Great States Corporation American Lawn Mower Company has provided an environmentally friendly and easy way to recycle spent li-ion batteries. Just contact your local recycling center or call 1-800-8BATTERY for information on where to drop off the spent battery.



## PARTS AND SERVICE

For parts or service, please call 1-800-618-7474 or visit us online at SCOTTS.AMERICANLAWNMOWER.COM. Be sure to provide all relevant information when you call or visit.

### REPAIR PARTS (KITS/ ITEMS)

The model/serial number of this tool is found on a plate or label attached to the housing. Please record the serial number in the space provided below.

MODEL NUMBER     **LST02012S**    

SERIAL NUMBER \_\_\_\_\_

Always mention the model number when ordering kits/items for this tool.

No.	Kit/Item Number	Description	QTY
1	LST20-AHK-2	Aux handle kit	1
2	LST20-PGK-2	Protective Guard kit	1
3	RS90120	Spool kit	1
4	LST20-SRK-1	Spool & Cover	1
5	BL82120	20V battery	1
6	CHL82000	20V charger	1

---

### CALL US FIRST !!

Call us first with questions about operating or maintaining your string trimmer at 1.800.618.7474 between 8:00 a.m. – 5:00 p.m. Eastern Standard Time, or get assistance on [scotts.americanlawnmower.com](http://scotts.americanlawnmower.com).







## OWNER'S MANUAL

### CORDLESS STRING TRIMMER/20V LITHIUM-ION BATTERY PACK

Copyright. All Rights Reserved.

#### SCOTTS WARRANTY POLICY

- **3 Year limited warranty** on all Scotts 20V lithium ion power tools from date of purchase when used for personal, household, or family use.
- **1 Year limited warranty** on all Scotts 20V lithium ion batteries and chargers from date of purchase when used for personal, household, or family use.

The Great States Corp. (GSC) warrants to the original owner that this Scotts product and service part is free from defects in materials and workmanship and agrees to repair or replace any defective product or part for the warranty period as stated above.

- Warranty voided if used for commercial or industrial purposes or any other improper use as determined by GSC.
- Warranty does not include repairs necessary due to operator's abuse or negligence (including overloading the product beyond capacity or immersion in water), or the failure to assemble, operate, maintain or store the product according to the instructions in the owner's manual.
- This warranty does not cover
  - ◇ Wear items, including but not limited to - drive belts & gears, tines, cutting blades, mower blades, saw chains, mulching blades, blower fans, spool covers, trimmer line, blower and vacuum tubes, guide bars, high pressure hoses, wheels, handles, augers, worn bags, power cables, and other items subject to wear over time.
  - ◇ Wear on batteries, including but not limited to - drops, wear and breakage on charger, exposure to extreme temperature swings (hot or cold), battery left on charger too long, battery left uncharged for too long, and misuse or abuse of the battery.
- This warranty does not cover damage caused by cold, heat, rain, excessive humidity or other environmental extremes.
- This warranty does not cover normal deterioration of the exterior finish or normal wear and tear on the products including, but not limited to scratches, cracks, dents, or damage caused by outside chemicals.
- This warranty is not transferable and only applies to new products sold directly from an authorized retailer. This warranty does not apply to any product, new or used, purchased through unauthorized third-party channels. For information on authorized dealers, contact our customer support hotline at 1-800-618-7474 (Mon-Fri 8am-5pm Est)
- Any incidental, indirect or consequential loss, damage, or expense that may result from any defect or malfunction of the products is not covered by the warranty.
- The warranty does not include installation, assembly or normal adjustments explained in the owner's manual. The expense of delivering the product to the vendor and the expense of returning the product or replacement parts to the owner is not covered by the warranty.

#### Additional Warranty Limitations

Some states do not allow the exclusion or limitation on how long an implied warranty lasts, so the above limitation may not apply to you. Products sold damaged or incomplete, sold —as is, or sold as reconditioned are not covered under the warranty.

Damage or liability caused by shipping, improper handling, improper assembly, incorrect voltage, improper wiring, improper maintenance, improper modification or the use of accessories and/or attachments not specifically recommended is not covered by this warranty.

**Proof of purchase, original dated sales receipt, must accompany all warranty claims.**

**For claims go to [scotts.americanlawnmower.com](http://scotts.americanlawnmower.com) or call our customer support hotline from 8am-5pm EST, Mon-Fri at 1-800-618-7474**



American Lawn Mower Company  
The Great States Corporation  
7444 Shadeland Station Way  
Indianapolis, IN 46256 USA  
Phone 1-800-618-7474  
[scotts.americanlawnmower.com](http://scotts.americanlawnmower.com)



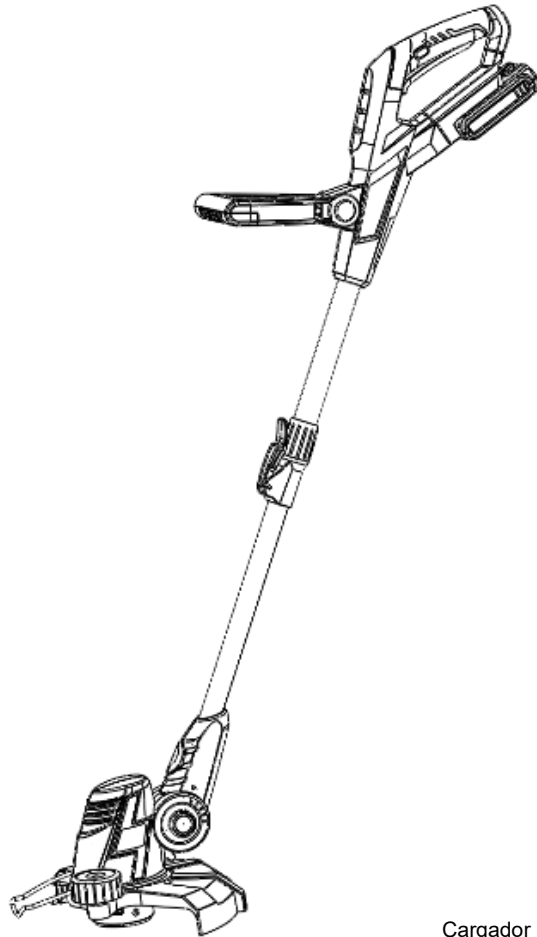
## MANUAL DEL OPERARIO

# DESBROZADORA INALÁMBRICA CON PAQUETE DE BATERÍAS DE IONES DE LITIO DE 20 V

Copyright. Todos los derechos reservados.

## Modelo LST02012S

DEBE CARGAR LA BATERÍA ANTES DE UTILIZARLA POR PRIMERA VEZ. ES POSIBLE QUE SE NECESITEN DE DOS A TRES CICLOS DE CARGA/ DESCARGA INICIALES PARA OBTENER LA MÁXIMA CAPACIDAD O TIEMPO DE FUNCIONAMIENTO.



Cargador Cumple con CA está incluido (Modelo No. CHL82000)

Su desbrozadora fue diseñada y fabricada de acuerdo con nuestros altos estándares de confiabilidad, facilidad de operación y seguridad para el operario. Si se la trata con cuidado, le otorgará años de óptimo rendimiento y resistencia.



**ADVERTENCIA:** para reducir el riesgo de sufrir alguna lesión, el usuario debe leer y comprender el manual del operario antes de usar este producto.

Muchas gracias por su compra.

**NNO DEVUELVA ESTE PRODUCTO A LA TIENDA. ¿TIENE PREGUNTAS SOBRE FUNCIONAMIENTO, MONTAJE, PIEZAS O SERVICIO TÉCNICO? IR A SCOTTS.AMERICANLAWNMOWER.COM O LLAME AL 1-800-618-7474 ENTRE LAS 8:00 AM Y LAS 5:00 PM, HORA DEL ESTE DE LOS ESTADOS UNIDOS.**

## GUARDE ESTE MANUAL PARA CONSULTAS FUTURAS



# ADVERTENCIAS DE SEGURIDAD IMPORTANTES



## PARA REDUCIR EL RIESGO DE LESIONES:

Antes de poner en uso la herramienta, asegúrese de que todos los usuarios lean y comprendan las instrucciones de seguridad y la demás información incluida en este manual.

**PRECAUCIÓN:** use protección auditiva apropiada mientras trabaja. En ciertas condiciones y con cierta duración de uso, el ruido generado por este producto puede contribuir a la pérdida de la audición.

**MANTENGA ALEJADOS A LOS NIÑOS.** Todos los visitantes, niños y mascotas deben mantenerse a una distancia segura de la zona de trabajo.

**USE ROPA ADECUADA.** No use prendas sueltas ni artículos de joyería. Use protección para cubrir y contener el cabello largo, ya que puede quedar atrapado en las piezas móviles. Se recomienda usar guantes de goma y calzado resistente cuando se trabaja al aire libre. Use siempre pantalones largos mientras opera esta desbrozadora.

**USE GAFAS DE SEGURIDAD.** Al trabajar con este producto, use gafas de seguridad con protectores laterales que cumplan con la norma ANSI Z87.1. Si la operación genera polvo, protéjase el rostro con una mascarilla antipolvo.

**USE LA HERRAMIENTA EN FORMA CORRECTA.** No utilice esta herramienta en trabajos para los que no esté indicada.

**EXTRAIGA LA BATERÍA DE LA DESBROZADORA** cuando no esté en uso o durante el mantenimiento o la limpieza. Manténgala bajo vigilancia constante.

**VERIFIQUE LAS PIEZAS DAÑADAS.** Antes de seguir usando la desbrozadora, se deberán revisar los protectores u otras piezas dañadas en forma exhaustiva para determinar si la herramienta funcionará correctamente y realizará el trabajo previsto. Verifique la alineación y las uniones de las piezas móviles, el montaje, las averías y otros factores que puedan afectar el funcionamiento. Un protector o cualquier otra pieza dañada deben ser reemplazados o reparados en forma adecuada. Comuníquese con nuestra línea de ayuda de atención al cliente al 1-800-618-7474 para recibir asistencia.

**ILUMINACIÓN.** Trabaje sólo con luz natural o buena luz artificial.

**NO ADOpte UNA POSTURA INCÓMODA.** Mantenga una base y equilibrio apropiados en todo momento.

**ADVERTENCIA:** no aplique ninguna clase de accesorio o dispositivo de sujeción a la desbrozadora. Dicha práctica podría resultar peligrosa.

**EVITE AMBIENTES PELIGROSOS.** No utilice esta herramienta en la lluvia ni en lugares húmedos o mojados. Tampoco trabaje en entornos donde existan gases o sustancias explosivas. Por lo general, los motores de estas herramientas producen chispas que podrían inflamar los gases.

**EVITE EL ENCENDIDO ACCIDENTAL.** Asegúrese de que el interruptor esté en la posición de aseguramiento o de apagado antes de instalar el paquete de baterías. Llevar las herramientas con el dedo en el interruptor o instalar el paquete de baterías en la herramienta con el interruptor puesto es causa común de accidentes.

**PELIGRO:** riesgo de corte. Mantenga las manos alejadas de los hilos. Mantenga ambas manos en los mangos mientras la herramienta está encendida.

**PELIGRO:** No utilice la herramienta si el interruptor no enciende o no apaga. Comuníquese con nuestra línea de ayuda de atención al cliente al 1-800-618-7474 para recibir

**PELIGRO:** No deseche las baterías en el fuego. Las baterías pueden estallar. Verifique los códigos de la localidad para conocer posibles instrucciones especiales para desecharlas.

**PELIGRO:** No desarme el paquete de baterías. El electrolito emitido es corrosivo y puede causar daños en los ojos y en la piel. Puede ser tóxico si se ingiere.

**ADVERTENCIA:** Mantenga las guardas en su lugar y en orden de trabajo.

**ADVERTENCIA:** Mantenga las manos y los pies alejados del área de corte.

**NO INTENTE** extraer el material cortado ni sostener el material que desea cortar mientras los hilos están en movimiento. Asegúrese de que el interruptor esté en posición de apagado para luego retirar el material atascado en el protector. No tome la desbrozadora por los hilos al tratar de levantar o sostener la herramienta.

**PRECAUCIÓN:** los hilos se mueven por inercia después de apagar el motor.

**NO FUERCE LA DESBROZADORA.** Realizará mejor el trabajo con menor probabilidad de lesiones si maneja la desbrozadora a la velocidad para la que fue diseñada.

**PONGA ATENCIÓN.** Observe lo que está haciendo. Use el sentido común. No opere la desbrozadora si está cansado o bajo la influencia de medicamentos, drogas o alcohol.

**GUARDE LA DESBROZADORA BAJO TECHO.** Cuando no esté en uso, la desbrozadora se deberá guardar en un lugar cerrado, seco y elevado y fuera del alcance de los niños.

Guarde estas instrucciones y revíselas con frecuencia antes de usar la herramienta y capacitar a otros.

**ADVERTENCIA:** al utilizar aparatos eléctricos para el jardín, se deben respetar siempre las precauciones de seguridad básicas que se detallan a continuación, a fin de reducir riesgos de incendios, descargas eléctricas y lesiones personales.

## LEA TODAS LAS INSTRUCCIONES

**ADVERTENCIA:** No accione el equipo cuando esté descalzo o al llevar puestas sandalias o calzado liviano similar. Use calzado de seguridad que le proteja sus pies y mejore su postura en superficies resbaladizas.

**ADVERTENCIA:** Sólo utilice piezas de repuesto idénticas y accesorios del fabricante original. El empleo de piezas diferentes puede causar un peligro o dañar el producto.

**ADVERTENCIA:** En el cabezal de corte use únicamente hilo de repuesto del fabricante original si está usando un accesorio para recortar de eje. No use ningún otro aditamento de corte, por ejemplo, cable metálico, cuerda o producto similar. Instalar cualquier otra marca de hilo de corte en esta recortadora de hilo puede producir lesiones corporales serias.

**MANTENGA LA HERRAMIENTA EN CONDICIONES.** El protector y los mangos deben estar limpios para lograr un óptimo funcionamiento y reducir el riesgo de lesiones. Mantenga los mangos secos y libres de grasa y aceite.

**ADVERTENCIA:** disposición 65 del estado de California: Este producto contiene químicos reconocidos por el Estado de California como causantes de cáncer, defectos de nacimiento u otros efectos nocivos para el aparato reproductor.

**ADVERTENCIA:** parte del polvo generado por este producto podría contener químicos reconocidos por el Estado de California como causantes de cáncer y defectos de nacimiento u otros efectos nocivos para el aparato reproductor. Algunos ejemplos de estos productos químicos son:

- químicos presentes en fertilizantes
- compuestos presentes en insecticidas, herbicidas y pesticidas
- arsénico y cromo de maderas tratadas químicamente

El riesgo que usted corre al exponerse a estos químicos varía según la frecuencia con la que realiza este tipo de trabajo. Para reducir la exposición a estos químicos, use equipo de protección aprobado, como mascarillas antipolvo que están especialmente elaboradas para eliminar partículas microscópicas mediante un proceso de filtrado.

**ADVERTENCIA:** Cáncer y Daño Reproductivo - [www.P65Warnings.ca.gov](http://www.P65Warnings.ca.gov).

**PRECAUCIÓN:** Utilice únicamente el siguiente tipo y tamaño de batería/baterías: BL82120.

**PRECAUCIÓN:** Tenga cuidado cuando maneje baterías a fin de no realizar un cortocircuito en la batería con materiales conductores como anillos, brazaletes y llaves. La batería o el conductor pueden recalentarse y provocar quemaduras.

Desconecte la batería del dispositivo antes de realizar ajustes, cambiar accesorios o guardar el dispositivo. Estas medidas de seguridad preventivas reducen el riesgo de que el aparato se encienda accidentalmente.

Cuando la batería no esté en uso, manténgala alejada de otros objetos metálicos, como clips, monedas, llaves, clavos, tornillos u otros objetos metálicos pequeños, que pueden hacer una conexión de un terminal a otro. Cortocircuitar los terminales de la batería puede causar quemaduras o un incendio.

No utilice un paquete de baterías o un aparato que esté dañado o modificado. Las baterías dañadas o modificadas pueden exhibir un comportamiento impredecible que puede resultar en un incendio, explosión o riesgo de lesiones.

No exponga un paquete de baterías o un aparato a fuego o temperatura excesiva. La exposición al fuego o a una temperatura superior a 130 °C (165 °F) puede causar una explosión.

Siga todas las instrucciones de carga y no cargue la batería o el aparato fuera del rango de temperatura especificado en las instrucciones. La carga incorrecta o a temperaturas fuera del rango especificado puede dañar la batería y aumentar el riesgo de incendio.

Haga que un técnico de reparaciones calificado realice el servicio de reparaciones utilizando solo repuestos idénticos. Esto asegurará que se mantenga la seguridad del producto.

No modifique ni intente reparar el electrodoméstico o la batería (según corresponda), excepto lo indicado en las instrucciones de uso y cuidado.

# CARACTERÍSTICAS

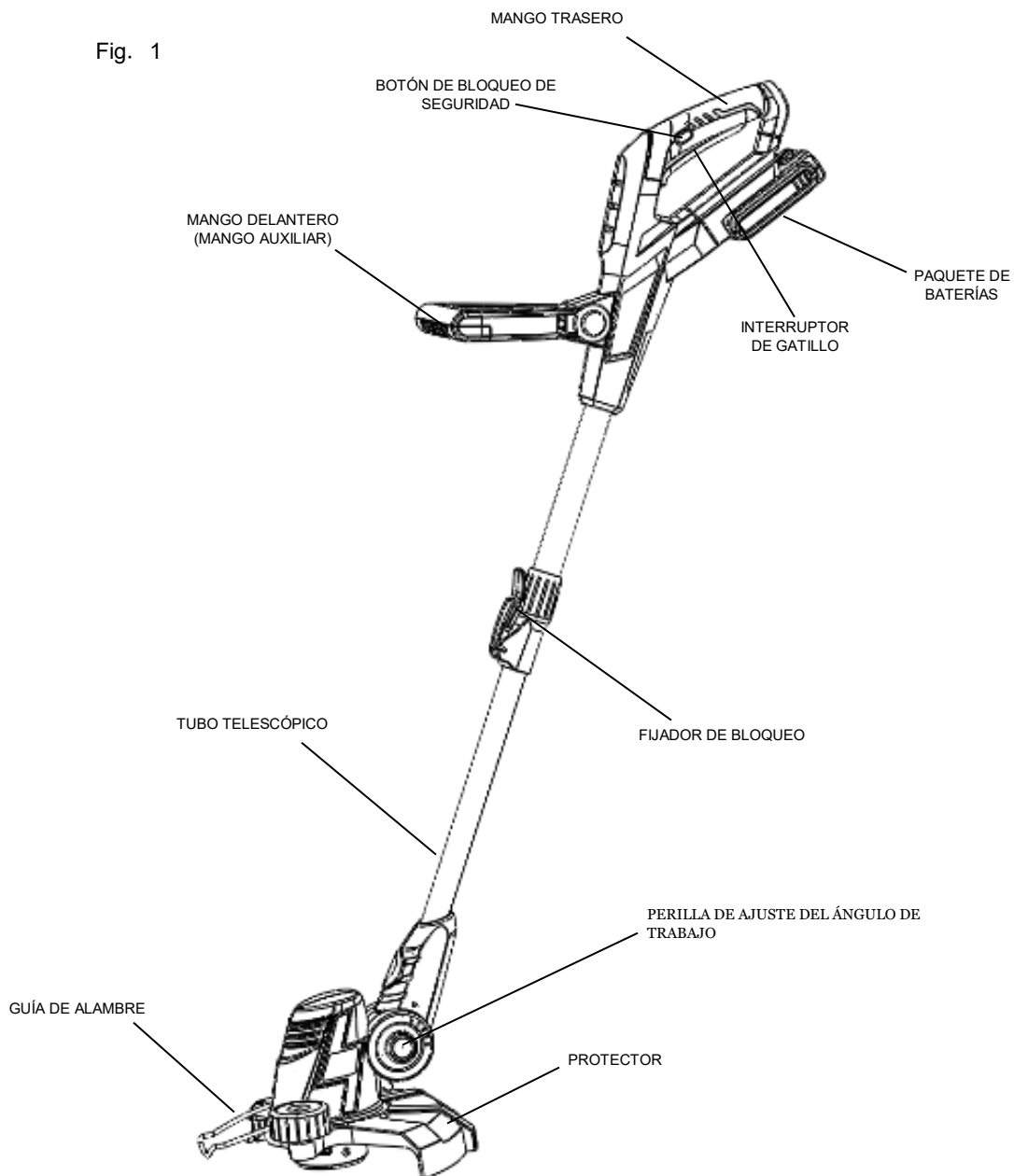
## ESPECIFICACIONES DEL PRODUCTO

### LST02012S

Entrada ..... 20 V / 2,0 AH, CC solamente only  
Velocidad ..... 8000 RPM  
Ancho de corte ..... 30 cm (12 pulg.)  
Peso ..... 2,27 kg (5 libras)  
Tipo de cadena ..... 1,65 mm (0,065 pulg.) sola línea

Alimentación automática - Función bordeadora - Cabezal de corte regulable

Fig. 1



# MONTAJE

## DESEMBALAJE

Este producto requiere algunas operaciones de montaje. (Destornillador de cabeza Phillips)

## LISTA DE EMBALAJE

- Desbrozadora
- Protector de seguridad
- Mango delantero / auxiliar
- Cargador y paquete de baterías
- Manual del operador
- Bolsa de hardware

**⚠ ADVERTENCIA:** no instale la batería hasta haber completado el montaje. De lo contrario, la máquina podría arrancar accidentalmente y provocar lesiones personales de gravedad.

**⚠ ADVERTENCIA:** si alguna pieza falta o está dañada, no utilice este producto hasta reponer la pieza en cuestión. De lo contrario, podría sufrir lesiones corporales serias.

Extraiga el producto y los accesorios de la caja con cuidado. Asegúrese de que estén incluidos todos los elementos detallados en la lista de embalaje. Inspeccione el producto detenidamente para corroborar que no existan roturas ni averías ocurridas durante el envío. No deseche el material de embalaje hasta haber inspeccionado exhaustivamente el producto y comprobado que funciona en forma satisfactoria.

Si alguna pieza falta o está dañada, llame al 1-800-618-7474 para obtener asistencia.

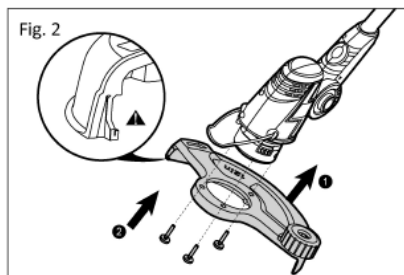
## COLOCACIÓN DEL PROTECTOR

Monte el protector como se muestra a continuación, introdúzcalo en la ranura del cabezal de la caja del motor. Utilice un destornillador Phillips para ajustar un (1) tornillo en el protector y la caja del motor. Retire el protector de la cuchilla.

**⚠ ADVERTENCIA:** no utilice la desbrozadora si el protector no está colocado. Siempre use guantes al montar o reemplazar la protección. Tenga cuidado con la cuchilla en el protector y proteja sus manos de lesiones por la cuchilla.

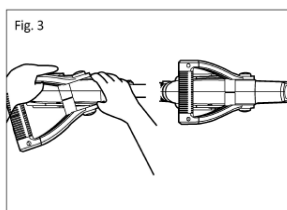
Coloque el protector en la recortadora, luego fije el protector con los tornillos suministrados. (Figura 2)

NOTA: Una rueda guía está premontada en el protector para facilitar la función de corte de bordes.

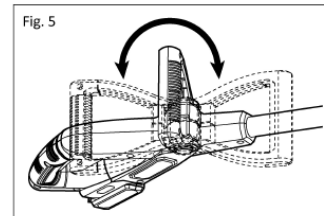
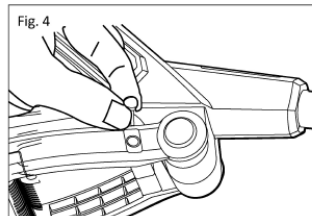


## COLOCACIÓN DEL MANGO AUXILIAR

- Coloque un orificio acanalado en la base del mango auxiliar sobre la perilla ubicada en la parte inferior del mango trasero.
- Presione el otro orificio acanalado sobre la perilla del otro lado del mango trasero (Fig. 3).

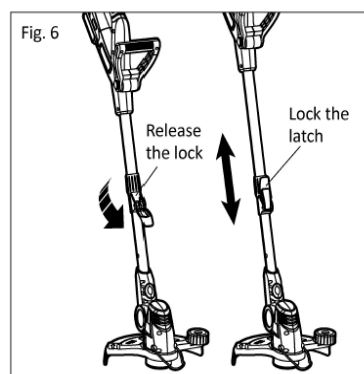


- Atornille la manija delantera firmemente en su lugar con el tornillo ST 4.2 X 18 incluido. (Fig.4).
- Puede ajustar fácilmente el asa presionando ambos lados de las perillas al mismo tiempo. (Fig. 5)



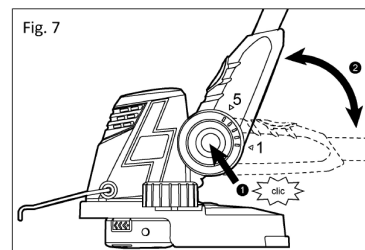
## AJUSTE DE LA ALTURA

Se puede regular la altura total de la desbrozadora. Suelte el fijador en el tubo. Luego puede acortar o extender los tubos. Una vez que logre la altura deseada, trábelos con el fijador. (Fig.6)



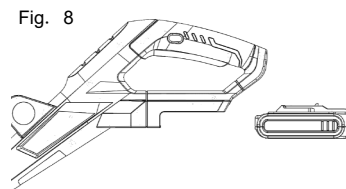
## CAMBIANDO DEL ÁNGULO DE TRABAJO

La recortadora se puede configurar en cualquiera de los cinco ángulos de operación diferentes. Mantenga presionado el botón de localización. Establezca el ángulo de operación deseado. Las posiciones de ángulo 1 y 2 son para cortar bordes. 3,4 y 5 posiciones de ángulo son para corte normal. Suelte el botón de localización. (Fig.7)



## INSTALAR Y RETIRAR EL PAQUETE DE BATERÍAS DE LA UNIDAD

Deslice la batería en el cortabordes (vea la ilustración). Asegúrese de que la batería esté bien conectada. Para quitar la batería, presione el botón de liberación y extraiga la batería de la herramienta (Fig. 8)



# FUNCIONAMIENTO

## ENCENDIDO DE LA HERRAMIENTA

Presione el botón de bloqueo con el dedo pulgar y luego apriete el gatillo con los dedos. (Una vez que la herramienta está en marcha, puede soltar el botón de bloqueo). Para apagar la máquina, suelte el gatillo.

Antes de encender la unidad, asegúrese de que no esté en contacto con ningún objeto.

**⚠ ADVERTENCIA:** el hilo puede lanzar piedras, trozos de metal y otros objetos a gran velocidad. La unidad y el protector están diseñados para reducir este peligro.

**⚠ ADVERTENCIA:** para prevenir lesiones personales, tenga en cuenta las siguientes recomendaciones:

Lea el manual de instrucciones antes de usar el producto y guárdelo para consultas futuras.

Mantenga las manos alejadas de los hilos.

Sostenga la herramienta con ambas manos en los mangos. No adopte una postura incómoda.

Si la herramienta se golpea o se enreda con algún objeto extraño, deténgala de inmediato y verifique si hay daños; en ese caso, hágala reparar antes de usarla nuevamente. No utilice la desbrozadora si el eje o el carrete están rotos.

# FUNCIONAMIENTO

## INSTRUCCIONES DE CORTE

**⚠ PRECAUCIÓN:** los hilos se mueven por inercia después de apagar el motor.

No trabaje en condiciones de humedad.

**⚠ PRECAUCIÓN:** inspeccione el área de trabajo y elimine alambres, cables, u objetos similares que pudieran enredarse en el hilo giratorio o en el carrete. Sea particularmente cuidadoso con los alambres que puedan proyectarse hacia afuera e interponerse en el recorrido de la herramienta; por ejemplo, púas en la base de una cerca de alambre.

### Posición de corte correcta

El peso debe estar equilibrado, con ambos pies apoyados en suelo firme.

### Procedimiento básico de corte

Desplace la desbrozadora de lado a lado lentamente como se muestra en la ilustración.



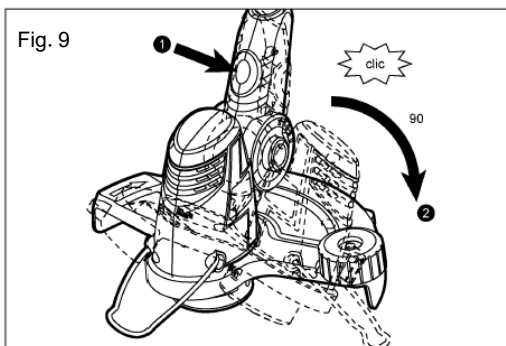
### FUNCIÓN BORDEADORA

La función de corte de bordes permite un corte preciso y fácil a lo largo del borde del césped. Presione el botón de localización en la perilla de ajuste del ángulo y simultáneamente gire la cabeza del recortador 90 grados.

NOTA: Para facilitar el trabajo, en esta posición, el dispositivo puede guiarse por el suelo en la rueda de guía.

Si desea volver a la posición de desbrozadora, apague la herramienta, presione el botón y gire el cabezal en el sentido de las agujas del reloj hasta que se detenga. Cuando usa la herramienta en el modo de desbrozadora, puede elegir plegar la guía del borde de alambre hacia arriba para que no estorbe.

**⚠ ADVERTENCIA:** no corte cerca de cableados eléctricos ni de edificaciones.



**⚠ ADVERTENCIA:** no permita que la familiaridad con este tipo de productos termine en negligencia. Recuerde que un segundo de descuido es suficiente para provocar una lesión seria. No opere la desbrozadora en un árbol, en una escalera ni en un andamio; esto es sumamente peligroso. Use guantes antideslizantes para lograr un máximo agarre y una protección adecuada.

### ALIMENTACIÓN DE LÍNEA

La desbrozadora utiliza hilo de nylon de 1,65 mm (0,065 pulg.) de diámetro para cortar césped y malezas en forma rápida y fácil. Con el tiempo, la punta del hilo de nylon se gasta y el mecanismo de alimentación automática avanzará y cortará un trozo de hilo nuevo automáticamente. El hilo de corte se desgasta con mayor rapidez si el corte se realiza a lo largo de las aceras u otras superficies abrasivas o si se cortan malezas más densas. El hilo avanza aproximadamente 6,3 mm (1/4 pulg.) con cada detención y arranque del gatillo del interruptor hasta que alcanza la longitud de la cuchilla del deflector de césped. No golpee la unidad contra el suelo al intentar avanzar el hilo o por cualquier otro motivo.

### Alimentación automática

Con cada encendido y apagado, la línea se ajusta fuera del centro del carrete.

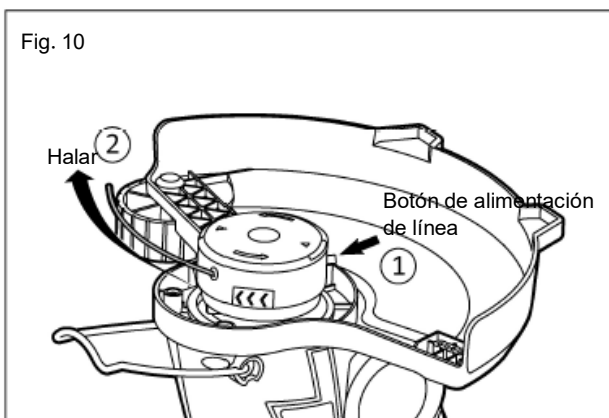
NOTA: El encendido y apagado frecuente sin motivo da como resultado un mayor desgaste de la línea.

NOTA: Si la línea de corte se vuelve demasiado corta durante la operación debido al desgaste, apague el dispositivo y vuelva a encenderlo para extender automáticamente la longitud de trabajo de la línea de corte.

### Alimentación manual

Si el hilo de la desbrozadora golpea objetos filosos o abrasivos, como piedras, piezas de metal o concreto, podría cortarse y quedar demasiado chico como para poder seguir cortando. En este caso, puede extender manualmente el hilo (Fig. 10):

1. QUITE EL PAQUETE DE BATERÍAS
2. Presione el botón de alimentación del hilo con una mano mientras tira del hilo hacia afuera con la otra.
3. Presione el botón repetidamente para liberar suficiente hilo hasta obtener el largo apropiado. Cada vez que presione el botón se liberará aproximadamente 1/4 de pulgada de hilo. (Nota: Libere solamente la cantidad de hilo suficiente para extenderlo justo pasando la hoja. Si libera demasiado hilo, la hoja no podrá cortarlo con el largo correcto para su funcionamiento y podría enredarse en el eje giratorio.)
4. Instale el paquete de baterías.
5. Vuelva a encender la desbrozadora y vuelva a utilizarlo normalmente.





## FUNCIONAMIENTO

### REEMPLAZO DEL CARRETE Y SOLUCIÓN EN CASO DE ATASCOS E HILOS ENREDADOS

De vez en cuando, especialmente al cortar malezas duras o densas, el eje de alimentación del hilo puede obstruirse con savia u otro material y, por consiguiente, atascarse. Para desatascar el hilo, siga estos pasos.

- Apague la desbrozadora y extraiga la batería.
- Presione las lengüetas de liberación en el retenedor del carrete de línea ① y retire la cubierta ② tirando de ella hacia afuera.
- Retire el carrete de línea ③. Si es necesario, elimine la suciedad.
- Extienda la línea atascada o enredada en la bobina ④.
- Inserte el carrete en el receptáculo de la línea ⑤.
- Pase el extremo de la línea a través del ojal del retenedor del carrete ⑥.
- Presione firmemente ambas pestañas de la cubierta del carrete al mismo tiempo, y empuje la tapa sobre el carrete hasta que encaje it ⑦.

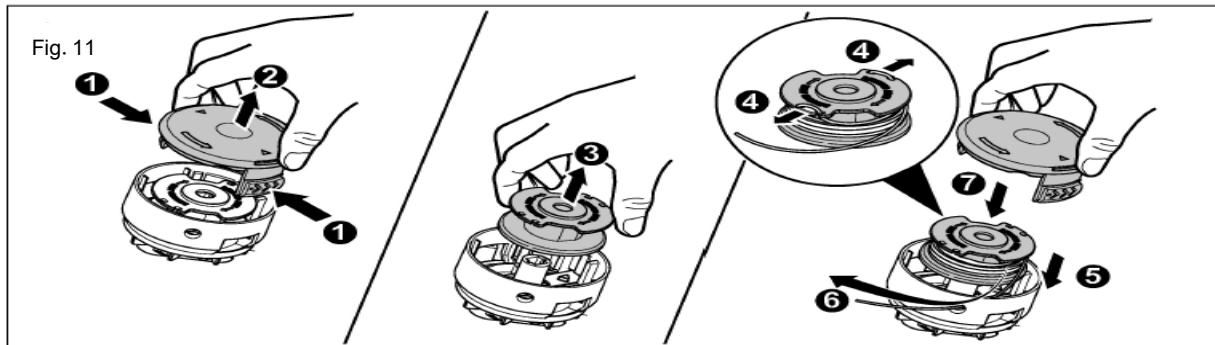
### REBOBINADO DEL HILO A GRANEL EN EL CARRETE (USE SÓLO HILO DE 1,65 MM [0,065 PULG.] DE DIÁMETRO)

El distribuidor o centro de servicio local ofrece hilo a granel para su desbrozadora/bordeadora con un costo adicional. Para instalarlo, siga estos pasos:

- Apague la desbrozadora y extraiga la batería.
- Presione las lengüetas de desbloqueo en la tapa del carrete de hilo, como se muestra en la Fig. 11, y tire de la tapa para extraerla. Quite el carrete de la herramienta y elimine los restos de hilo que hayan quedado en el carrete.
- Inserte un extremo del hilo a granel en el orificio del carrete como se muestra en la Fig. 2.
- Sostenga el hilo en el orificio y jale el resto del hilo a través de la ranura del carrete como se observa en la Fig. 3.
- Enrolle el hilo a granel de manera uniforme y ajustada en la dirección que indica la flecha hasta que el carrete esté prácticamente lleno.
- Introduzca el extremo del hilo en el ojal del eje del carrete como muestra la Fig. 4. Tire del hilo a través del orificio para mantener la tensión mientras coloca el carrete en el eje con el lado que tiene la muesca expuesto.
- Presione el carrete hacia abajo SUAVEMENTE y gírelo hasta sentir que entra en su lugar.

(Cuando está bien colocado, el carrete girará unos grados a la izquierda y a la derecha libremente).

- Vuelva a colocar la tapa del carrete, inserte la batería y encienda la herramienta. En unos segundos o menos oírá que el hilo de nylon se corta automáticamente con la longitud adecuada.



## MANTENIMIENTO

**⚠ PRECAUCIÓN:** evite en todo momento que líquidos de frenos, gasolina, productos a base de petróleo, aceites penetrantes, etc. entren en contacto con piezas plásticas. Contienen químicos que pueden dañar, debilitar o destruir el plástico.

Asegúrese de que la batería se haya retirado de la unidad y luego utilice únicamente un jabón suave y un paño húmedo para limpiar la herramienta. No permita que se filtre líquido en el interior de la herramienta ni sumerja ninguna pieza en líquido.

Los fertilizantes y otros productos químicos para el jardín contienen agentes que aceleran la corrosión de los metales en forma considerable. No guarde la herramienta junto a fertilizantes ni productos químicos.

**⚠ IMPORTANTE:** a fin de garantizar la SEGURIDAD y la CONFIABILIDAD, las reparaciones, el mantenimiento y los ajustes deben llevarse a cabo en un centro de servicio autorizado u otra organización de servicio calificada, y siempre utilizando repuestos idénticos.

Si la desbrozadora se ha caído, inspecciónela cuidadosamente para comprobar si sufrió algún daño. Si el protector está doblado o tiene grietas o los mangos están rotos, o si detecta alguna otra condición que pudiera afectar el funcionamiento de la desbrozadora, se deben realizar las reparaciones pertinentes antes de volver a usarla. Comuníquese con nuestra línea de ayuda de atención al cliente al 1-800-618-7474 para recibir asistencia.

## CARGANDO EL PAQUETE DE BATERÍAS

La batería de 24 voltios que se suministra está sellada, no requiere mantenimiento y es a prueba de derrames.

Cargue el paquete de baterías únicamente con el cargador provisto. Deje la batería cargando al menos 60 minutos antes de usar la motosierra por primera vez.

Asegúrese de que el voltaje del suministro eléctrico sea el doméstico normal: 120 voltios, 60 Hz, CA únicamente.

El cargador de baterías debe funcionar en temperaturas que oscilen entre los 4 y 40 °C (39 y 104 °F).

La batería debe cargarse en un lugar fresco y seco.

Es posible que se necesiten de dos a tres ciclos de carga/descarga iniciales para obtener la máxima capacidad o tiempo de funcionamiento.

No intente abrir el cargador ni la unidad, ya que en su interior no existen piezas que el usuario pueda reparar. Comuníquese con la línea de ayuda de atención al cliente al 1-800-618-7474 para recibir asistencia.

NO incinere los paquetes de baterías, aunque estén muy dañados o totalmente agotados, porque pueden estallar y provocar lesiones.

Utilice el cargador de baterías sólo bajo techo.

Desconecte el cargador del suministro eléctrico cuando no esté en uso para evitar daños en caso de que se produzca un pico de tensión.

Cuando la batería está cargada por completo, se puede almacenar de forma segura en temperaturas de hasta -4 °C (-20 °F) durante un período de hasta cuatro semanas antes de que requiera una nueva carga. Cargue el paquete de baterías completamente cada 90 días.

Si transcurrido un tiempo determinado, el paquete de baterías se agota rápidamente después de un período de carga de 60 minutos, es necesario un cambio de batería.

Para evitar daños permanentes en la batería, nunca la almacene en una condición de descarga completa.

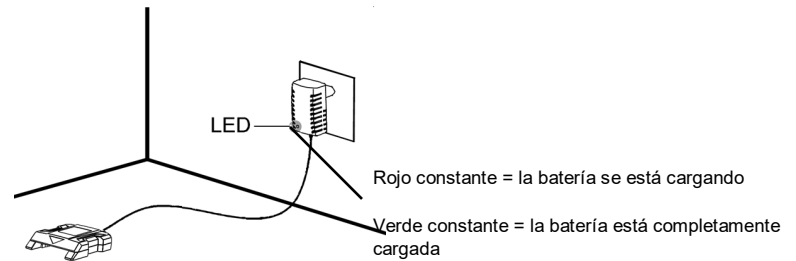
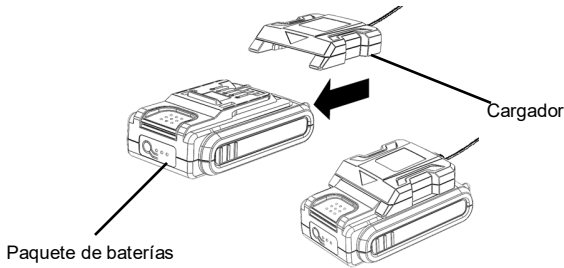
**ALMACENAMIENTO EN INVIERNO.** Recargue la batería completamente antes de guardarla y repita la operación cada 90 días.

Debido a que la batería no tiene ningún efecto memoria, no es necesario que esté totalmente descargada para volver a cargarla.

Es posible que ocurra una pequeña pérdida de líquido de las pilas en condiciones de uso, carga o temperaturas extremas. Esto no indica una falla. No obstante, si el sello externo está roto y el líquido entra en contacto con la piel:

- a. Lávese con agua y jabón de inmediato.
- b. Neutralice el efecto con un ácido débil como jugo de limón o vinagre.
- c. Si el líquido de la batería penetra en los ojos, enjuáguese con agua limpia durante un mínimo de 10 minutos y obtenga asistencia médica inmediata.

### PARA CARGAR - VEA EL MANUAL DEL CARGADOR PARA INSTRUCCIONES COMPLETAS



### SOLUCIÓN DE PROBLEMAS

Problema	Posible causa	Posible solución
- La unidad no funciona.	- La batería no hace contacto. - El botón de bloqueo no está en la posición correcta.	- Verifique que la batería esté bien colocada. - Compruebe que el botón de bloqueo se encuentre totalmente hacia adelante antes de accionar el gatillo. - Controle la instalación de la batería.
- El hilo no avanza.	- La batería no está instalada correctamente. - La batería no está cargada.	- Revise los requisitos de carga de la batería. - Desenrolle 60,9 cm (24 pulg.) de hilo y rebobine.
- El hilo no se corta.	- El hilo está enredado en el carrete. - La cortadora de hilo en el protector falta o está dañada.	- Reemplace el protector.
- La batería no se carga.	- La batería no está bien colocada en el cargador.  - El cargador no está enchufado.	- Coloque nuevamente la batería en el cargador hasta que aparezca una luz roja en el indicador LED. - Enchufe el cargador en un tomacorriente que funcione. - Compruebe la corriente en el receptáculo; para ello enchufe una lámpara u otro artefacto.
	- La temperatura del aire en el ambiente es muy baja o muy elevada.	- Asegúrese de que el receptáculo no esté conectado a un interruptor de luz que corta el suministro eléctrico cuando usted apaga las luces. - Traslade el cargador y la herramienta a un lugar con una temperatura ambiente superior a los 4 °C (39 °F) e inferior a 40°C (104 °F).

#### ELIMINACIÓN DE LA BATERÍA

Extraiga el paquete de baterías de la herramienta. Cubra los terminales con una cinta adhesiva resistente. No trate de destruir ni desarmar el paquete de baterías ni de extraer ninguno de sus componentes. Este producto contiene baterías de iones de litio, que se deben reciclar o desechar adecuadamente. Es posible que las leyes locales, estatales o federales prohíban eliminar estas baterías con los desechos comunes.



El sello RBRC que aparece en el paquete de baterías de iones de litio indica que los costos para reciclarlo al término de su vida útil ya han sido pagados por The Great States Corporation/American Lawn Mower Company. Es ilegal arrojar las baterías de iones de litio gastadas en un depósito municipal de residuos sólidos o en la basura. RBRC, en colaboración con The Great States Corporation/American Lawn Mower Company, ofrece una forma fácil y ecológica de reciclar las baterías de iones de litio gastadas. Simplemente comuníquese con el centro de reciclaje local o llame al 1-800-8-BATTERY para obtener información sobre dónde dejar las baterías gastadas.

## PIEZAS Y SERVICIO

Para obtener piezas o servicio, llame al 1-800-618-7474 o visítenos en línea e SCOTTS.AMERICANLAWNMOWER.COM. Asegúrese de proporcionar toda la información relevante cuando llame o visite.

### PIEZAS DE REPARACIÓN (KITS / ARTÍCULOS)

El número de modelo / serie de esta herramienta se encuentra en una placa o etiqueta pegada a la carcasa. Registre el número de serie en el espacio que se proporciona a continuación.

NÚMERO DE MODELO   **LST02012S**  

NÚMERO DE SERIE \_\_\_\_\_

Siempre mencione el número de modelo cuando ordene kits / artículos para esta herramienta.

No.	Kit/Item Number	Description	QTY
1	LST20-AHK-2	Kit de mango auxiliar	1
2	LST20-PGK-2	Kit de protección	1
3	RS90120	Kit de carrete	1
4	LST20-SRK-1	Carrete y cubierta	1
5	BL82120	Batería de 20V	1
6	CHL82000	Cargador de 20V	1

¡LLÁMENOS PRIMERO!

Llámenos primero si tiene preguntas sobre la operación o el mantenimiento de su cortadora de hilo.  
a las 1.800.618.7474 de 8:00 a.m. a 5:00 p.m. Hora estándar del Este, u obtener asistencia en  
scotts.americanlawnmower.com.





## MANUAL DEL OPERARIO

# DESBROZADORA INALÁMBRICA CON PAQUETE DE BATERÍAS DE IONES DE LITIO DE 20 V

Copyright. Todos los derechos reservados.

## POLÍTICA DE GARANTÍA DE SCOTTS

- **Garantía limitada de 3 años** para todas las herramientas eléctricas de iones de litio de 20V Scotts a partir de la fecha de compra cuando se utilizan para uso personal, doméstico o familiar.
- **Garantía limitada de 1 año** para todas las baterías y cargadores de iones de litio de 20V Scotts a partir de la fecha de compra cuando se utilizan para uso personal, doméstico o familiar.

The Great States Corp. (GSC) garantiza al propietario original que este producto y pieza de servicio Scotts están libres de defectos de materiales y mano de obra y acepta reparar o reemplazar cualquier producto o pieza defectuosa durante el período de garantía indicado anteriormente.

- La garantía queda anulada si se utiliza con fines comerciales o industriales o cualquier otro uso inadecuado según lo determine GSC.
- La garantía no incluye las reparaciones necesarias debido al abuso o negligencia del operador (incluyendo la sobrecarga del producto más allá de su capacidad o la inmersión en agua), o la falta de montaje, operación, mantenimiento o almacenamiento del producto de acuerdo con las instrucciones del manual del propietario.
- Esta garantía no cubre
  - ◇ Elementos de desgaste, incluyendo pero no limitado a: correas y engranajes de transmisión, púas, cuchillas de cortadoras, hojas de segadora, cadenas de motosierra, hojas de trituración, ventiladores, cubiertas de carretes, hilo de desbrozadora, tubos de soplador y de vacío, barras guía, mangueras de alta presión, ruedas, manijas, barrenas, bolsas desgastadas, cables de alimentación y otros elementos que se someten a desgaste a lo largo del tiempo.
  - ◇ Desgaste de las baterías, incluyendo pero no limitado a: caídas, desgaste y rotura del cargador, exposición a oscilaciones extremas de temperatura (caliente o fría), batería dejada en el cargador demasiado tiempo, batería dejada sin cargar por demasiado tiempo, y mal uso o abuso de la batería.
- Esta garantía no cubre los daños causados por el frío, el calor, la lluvia, el exceso de humedad u otras condiciones ambientales extremas.
- Esta garantía no cubre el deterioro normal del acabado exterior ni el desgaste normal de los productos, incluidos, entre otros, los arañazos, grietas, abolladuras o daños causados por productos químicos externos.
- Esta garantía no es transferible y sólo se aplica a productos nuevos vendidos directamente por un distribuidor autorizado. Esta garantía no se aplica a ningún producto, nuevo o usado, comprado a través de canales de terceros no autorizados. Para obtener información sobre distribuidores autorizados, comuníquese con nuestra línea de ayuda de asistencia al cliente llamando al 1-800-618-7474 (de lunes a viernes, de 8 a. m. a 5 p. m., hora del este).
- Cualquier pérdida, daño o gasto incidental, indirecto o consecuente que pueda derivarse de cualquier defecto o mal funcionamiento de los productos no está cubierto por la garantía.
- La garantía no incluye la instalación, el montaje o los ajustes normales que se explican en el manual del operador. Los gastos de entrega del producto al vendedor y los gastos de devolución del producto o de las piezas de recambio al propietario no están cubiertos por la garantía.

### Limitaciones adicionales de la garantía

Algunos estados no permiten la exclusión o limitación respecto de la duración de una garantía implícita; por lo tanto, es posible que las limitaciones enunciadas anteriormente no le correspondan. Los productos vendidos con averías o incompletos, vendidos en las condiciones que se encuentren, o vendidos como reacondicionados no están cubiertos por la garantía.

Daños ni inconvenientes causados por envío, manipulación inadecuada, instalación incorrecta, voltaje incorrecto, cableado incorrecto, mantenimiento deficiente, modificaciones inadecuadas o el uso de accesorios o dispositivos de sujeción no recomendados específicamente no están cubiertos por la garantía.

**Todos los reclamos de garantía deben estar acompañados de un comprobante de compra, recibo de compra original con fecha. Para reclamos vaya a [scotts.americanlawnmower.com](http://scotts.americanlawnmower.com) o llame a nuestra línea de ayuda de asistencia al cliente al 1-800-618-7474 de lunes a viernes, de 8 a. m. a 5 p. m., hora del este.**



American Lawn Mower Company The Great  
States Corporation  
7444 Shadeland Station Way,  
Indianapolis, IN 46256  
Estados Unidos  
Phone 1-800-618-7474  
[scotts.americanlawnmower.com](http://scotts.americanlawnmower.com)



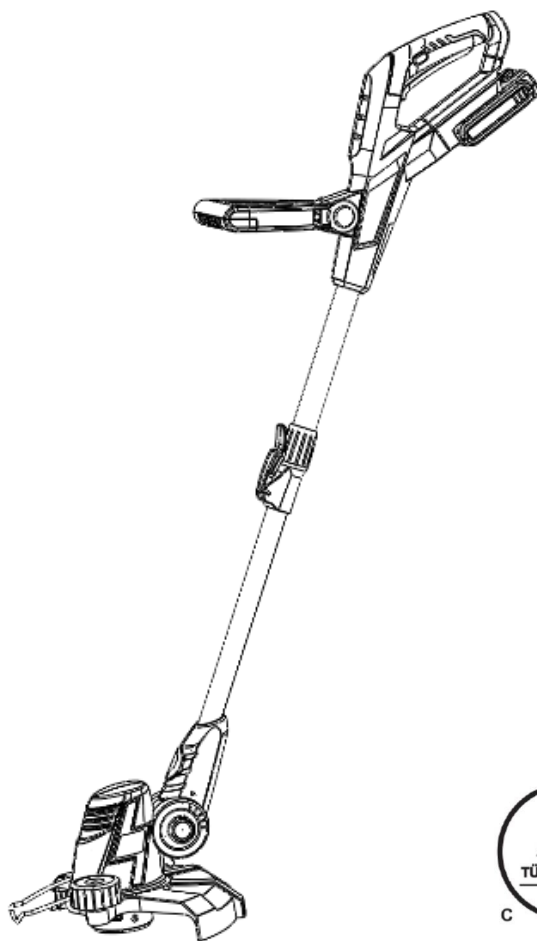
## MANUEL DE L'UTILISATEUR

### TONDEUSE À FIL SANS CÂBLE 20V BATTERIE AU LITHIUM-ION

Droit d'auteur. Tous droits réservés.

#### Modèle LST02012S

LA BATTERIE DOIT ÊTRE CHARGÉE AVANT LA PREMIÈRE UTILISATION. DES CYCLES INITIAUX DE CHARGE / DÉCHARGE DE DEUX À TROIS PEUVENT ÊTRE NÉCESSAIRES POUR OBTENIR UN TEMPS / CAPACITÉ MAXIMUM.



Chargeur conforme à CA est inclus (Modèle n ° CHL82000)

Votre tondeuse à fil a été conçue et fabriquée selon notre norme élevée de fiabilité, de facilité d'utilisation et de sécurité de l'utilisateur. Correctement entretenue, elle vous procurera des années de service intensif et sans souci.



**AVERTISSEMENT :** Afin d'éviter de se blesser, l'utilisateur doit lire et comprendre le manuel de l'utilisateur avant d'utiliser ce produit.

**Merci pour votre achat.**

**NE RENVOYEZ PAS CE PRODUIT AU MAGASIN. AVEZ-VOUS DES QUESTIONS CONCERNANT LE FONCTIONNEMENT, L'ASSEMBLAGE, LES PIÈCES OU LA RÉPARATION DU PRODUIT? ALLEZ SUR [SCOTTS.AMERICANLAWNMOWER.COM](http://SCOTTS.AMERICANLAWNMOWER.COM) OU COMPOSEZ LE 1-800-618-7474 DE 8 h 00 à 17 h 00, HNE, POUR TOUTE ASSISTANCE.**

---

**CONSERVEZ CE MANUEL POUR POUVOIR LE CONSULTER ULTÉRIEUREMENT**

---

# ⚠ AVERTISSEMENTS DE SÉCURITÉ IMPORTANTS ⚠

## POUR RÉDUIRE LE RISQUE DE BLESSURES :

Avant toute utilisation, assurez-vous que toute personne utilisant cet outil a lu et compris toutes les consignes de sécurité et les autres renseignements contenus dans ce manuel.

⚠ **MISE EN GARDE** : Portez des protections auditives appropriées pendant l'utilisation. Dans certaines conditions, ou en cas d'utilisation prolongée, le bruit émis par ce produit peut contribuer à une perte auditive.

**GARDER HORS DE PORTÉE DES ENFANTS** – Tous les visiteurs, enfants et animaux domestiques doivent se tenir au-delà du périmètre de sécurité de la zone de travail.

**S'HABILLER DE FAÇON APPROPRIÉE** – Ne portez pas des vêtements amples ou des bijoux. Portez une protection des cheveux pour contenir les cheveux longs. Ceux-ci risquent en effet d'être happés par les pièces en mouvement. L'utilisation de gants en caoutchouc et de chaussures robustes est recommandée pour les travaux à l'extérieur. Portez toujours des pantalons longs lors de l'utilisation de cette tondeuse à fil.

**PORTER DES LUNETTES DE SÉCURITÉ** – Lors de l'utilisation de ce produit, portez des lunettes de sécurité avec des écrans latéraux portant une marque de conformité à la norme ANSI Z87.1. Portez un masque facial ou antipoussières en présence de poussières.

**UTILISER LE BON OUTIL** – N'utilisez pas l'outil pour une tâche pour laquelle il n'a pas été conçu.

**RETIRER LA BATTERIE DE LA TONDEUSE À FIL** quand elle n'est pas utilisée ou lors de l'entretien ou du nettoyage. Ne la laissez pas sans surveillance.

**VÉRIFIER LES PIÈCES ENDOMMAGÉES** – Avant de poursuivre l'utilisation de la tondeuse à fil, toute protection ou autre pièce qui est endommagée doit être vérifiée avec précaution afin de vérifier qu'elle fonctionnera correctement et remplira sa fonction prévue. Vérifiez que les pièces mobiles sont alignées, qu'elles ne sont pas coincées, qu'aucune pièce n'est cassée, et inspectez la qualité du montage et toute autre condition pouvant affecter le fonctionnement de l'outil. Une pièce de protection ou autre qui est endommagée doit être réparée ou remplacée de manière adéquate. Appelez notre service clientèle au 1-800-618-7474 pour obtenir de l'aide.

**ÉCLAIRAGE** – N'utilisez la tondeuse à fil qu'à la lumière du jour ou sous un bon éclairage artificiel.

**NE PAS ESSAYER DE COUPER TROP LOIN** – Conservez toujours une assise correcte et un bon équilibre.

⚠ **AVERTISSEMENT** : N'utilisez pas la tondeuse à fil avec n'importe quel type d'accessoire ou d'outil. Une telle utilisation pourrait être dangereuse.

**ÉVITER LES ENVIRONNEMENTS DANGEREUX** – N'utilisez pas la tondeuse à fil sous la pluie ou dans les endroits humides ou mouillés.

N'utilisez pas la tondeuse à fil dans les atmosphères gazeuses ou explosives. Les moteurs de ces outils émettent normalement des étincelles, qui pourraient enflammer les vapeurs.

**ÉVITER UNE MISE EN MARCHÉ ACCIDENTELLE** – S'assurer que la gâchette est verrouillée en position d'arrêt avant d'insérer le bloc piles. Le transport d'outils avec le doigt sur le commutateur ou l'insertion du bloc piles avec le commutateur en position marche est une invite aux accidents.

⚠ **DANGER** : Risque de coupure. N'approchez pas les mains des fils. Gardez les deux mains sur les poignées quand l'outil est en marche.

⚠ **DANGER**: Don't use tool if switch trigger does not turn it on or off. Appelez notre service clientèle au 1-800-618-7474 pour obtenir de l'aide.

⚠ **DANGER**: Ne pas jeter les piles au feu. La cellule peut exploser. Vérifier les codes locaux pour connaître toute instruction spéciale relative à l'élimination des piles.

⚠ **DANGER**: Ne pas altérer le bloc piles. L'électrolyte est un produit corrosif pouvant causer des lésions cutanées ou oculaires. Il peut être toxique en cas d'ingestion.

⚠ **AVERTISSEMENT** : Garder les gardes en place et en ordre de marche.

⚠ **AVERTISSEMENT** : Gardez les mains et les pieds éloignés de la zone de coupe.

**NE PAS TENTER** d'enlever du matériau coupé, ni de tenir du matériau à couper quand les fils sont activés. Assurez-vous que la tondeuse à fil est hors tension pour enlever le matériau coincé dans les fils. Ne saisissez pas les protections ou les fils quand vous prenez ou tenez la tondeuse à fil.

⚠ **MISE EN GARDE** : Les fils tournent encore après la mise hors tension.

**NE PAS FORCER PAS LA TONDEUSE À FIL** – Elle sera plus efficace et avec un moindre risque de blessures à l'intensité pour laquelle elle a été conçue.

**RESTER VIGILANT** – Regardez ce que vous faites. Faites preuve de bon sens. N'utilisez pas la tondeuse à fil si vous êtes fatigué ou sous l'influence de médicaments, de drogues ou d'alcool.

Conservez ces instructions et relisez-les souvent avant d'utiliser le produit et lorsque vous apprenez son emploi à d'autres personnes.

⚠ **AVERTISSEMENT** : Lors de l'utilisation d'outils électriques de jardinage, les consignes de sécurité de base doivent toujours être suivies afin d'éviter les incendies, les chocs électriques et les blessures, notamment :

## LIRE TOUTES LES INSTRUCTIONS

**RANGER LA TONDEUSE À FIL À L'INTÉRIEUR** – Lors qu'elle n'est pas utilisée, la tondeuse à fil doit être rangée à l'intérieur dans un endroit sec et élevé ou verrouillé, hors de portée des enfants.

⚠ **AVERTISSEMENT** : Ne pas faire fonctionner l'équipement pied-nu ou en portant des sandales ou des chaussures légères similaires. Porter des chaussures de protection qui protègent vos pieds et améliorent votre équilibre sur des surfaces glissantes.

⚠ **AVERTISSEMENT** : Utiliser exclusivement des pièces de rechange et accessoire d'origine. L'usage de toute autre pièce pourrait créer une situation dangereuse ou endommager l'produit.

⚠ **AVERTISSEMENT** : Utiliser exclusivement des lignes de coupe d'origine si l'on d'utiliser l'accessoire taille-bordures. Ne pas utiliser un autre accessoire de coupe, tel que fil métallique, corde, ou autre. L'utilisation d'une tête de coupe d'autre marque sur cette tondeuse à fouet peut entraîner des blessures graves.

**ENTREtenir LA TONDEUSE À FIL AVEC ATTENTION** – Maintenez la protection et les poignées propres pour un rendement optimal et pour réduire le risque de blessures. Maintenez les poignées sèches et exemptes d'huile et de graisse.

⚠ **AVERTISSEMENT** : Proposition 65 de l'État de la Californie: L'État de la Californie considère que certains produits chimiques contenus dans cet appareil sont à l'origine de cancers, de malformations congénitales et d'autres troubles de l'appareil reproducteur.

⚠ **AVERTISSEMENT** : L'État de la Californie considère que certaines poussières créées par ce produit contiennent des produits chimiques qui sont à l'origine de cancers, de malformations congénitales et d'autres troubles de l'appareil reproducteur. Parmi ces produits chimiques, citons :

- les produits chimiques contenus dans les engrais
- les composés contenus dans les insecticides, les herbicides et les pesticides
- l'arsenic et le chrome du bois traité chimiquement

Votre risque d'exposition à ces produits chimiques varie en fonction de la fréquence à laquelle vous effectuez ce type de travail. Afin de réduire l'exposition à ces produits chimiques, portez un équipement de sécurité homologué, comme un masque antipoussières spécialement conçu pour filtrer les particules microscopiques.

⚠ **AVERTISSEMENT** : Cancer ET Troubles de l'appareil reproducteur - [www.P65Warnings.ca.gov](http://www.P65Warnings.ca.gov).

⚠ **MISE EN GARDE** : Utilisez uniquement les piles de type et de taille suivants: BL82120.

⚠ **MISE EN GARDE** : Manipuler les piles avec soin pour éviter des courts circuits avec des objets conducteurs comme des anneaux, des bracelets et des clés. La pile ou l'objet conducteur peuvent surchauffer et causer des brûlures. Déconnectez la batterie de l'appareil avant de procéder à des réglages, de changer d'accessoire ou de ranger l'appareil. Ces mesures de sécurité préventives réduisent le risque de démarrage accidentel de l'appareil.

Lorsque vous n'utilisez pas la batterie, gardez-la à l'écart d'autres objets en métal, tels que des trombones, des pièces de monnaie, des clés, des clous, des vis ou tout autre petit objet en métal, pouvant établir une connexion d'un terminal à un autre. Court-circuiter les bornes de la batterie peut provoquer des brûlures ou un incendie.

N'utilisez pas de batterie ou d'appareil endommagé ou modifié. Les batteries endommagées ou modifiées peuvent présenter un comportement imprévisible entraînant un incendie, une explosion ou un risque de blessure.

Ne pas exposer une batterie ou un appareil au feu ou à une température excessive. L'exposition au feu ou à une température supérieure à 130 ° C (265 ° F) peut provoquer une explosion. Suivez toutes les instructions de chargement et ne chargez pas la batterie ou l'appareil en dehors de la plage de température spécifiée dans les instructions. Une charge incorrecte ou à des températures inférieures à la plage spécifiée peut endommager la batterie et augmenter le risque d'incendie.

Confier les réparations à un réparateur qualifié en utilisant uniquement des pièces de rechange identiques. Cela garantira le maintien de la sécurité du produit.

Ne modifiez pas et n'essayez pas de réparer l'appareil ou le bloc-batterie (selon le cas), sauf si cela est indiqué dans les instructions d'utilisation et d'entretien.



# CARACTÉRISTIQUES

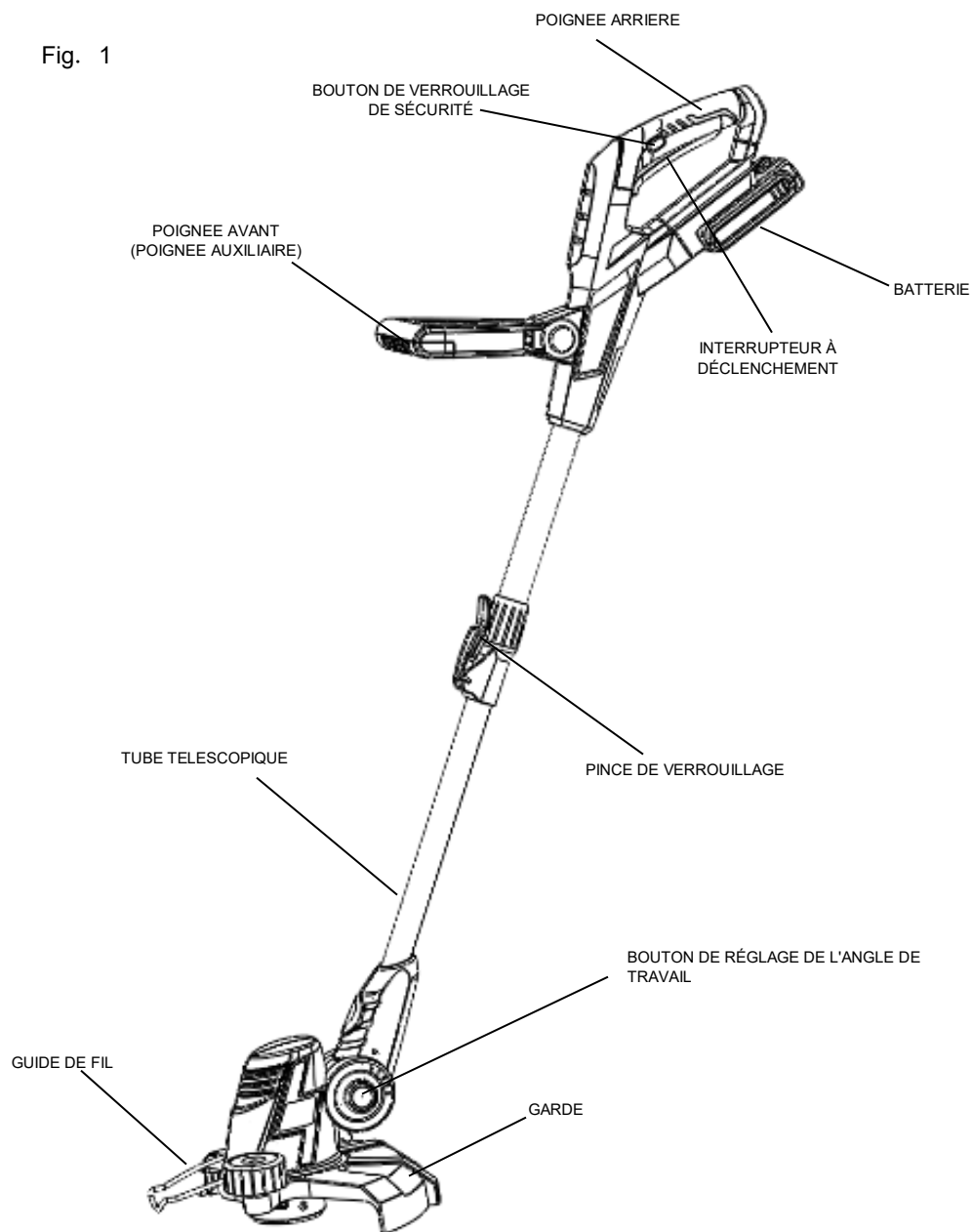
## SPÉCIFICATIONS DU PRODUIT

### LST02012S

Entrée .....	20 V / 2,0 Ah, CC uniquement
Vitesse .....	8000RPM
Largeur de coupe .....	30 cm (12 po)
Poids .....	2,27 kg (5 lb)
Type de ligne .....	1,65 mm (0,065 po) ligne simple

Alimentation automatique – Fonction bordure – Tête de coupe réglable

Fig. 1



# ASSEMBLAGE

## DÉBALLAGE

Ce produit requiert un assemblage. (Tournevis cruciform)

### LISTE DU CONTENU

- Tondeuse à fil
- Carter de protection
- Poignée frontale / auxiliaire
- Chargeur et bloc-batterie
- Sac de matériel
- Manuel de l'opérateur

**⚠ AVERTISSEMENT** : N'installez pas la batterie tant que l'assemblage n'est pas terminé. Le non-respect de cette consigne peut entraîner un démarrage accidentel et éventuellement des blessures graves.

**⚠ AVERTISSEMENT** : Si des pièces sont endommagées ou manquantes, n'utilisez pas ce produit tant qu'elles ne sont pas remplacées. Le non-respect de cette consigne peut entraîner des blessures graves.

Enlevez avec précaution le produit et les accessoires du carton. Assurez-vous que tous les éléments figurant dans la liste du contenu sont inclus. Inspectez soigneusement le produit pour vous assurer que rien n'a été cassé ou endommagé pendant le transport. Inspectez soigneusement le produit pour vous assurer que rien n'a été cassé ou endommagé pendant le transport. Ne jetez pas le matériau d'emballage tant que vous n'avez pas soigneusement inspecté et utilisé le produit de façon satisfaisante.

Si des pièces sont endommagées ou manquantes, veuillez appeler le 1-800-618-7474 pour obtenir de l'aide.

### FIXATION DU CARTER DE PROTECTION

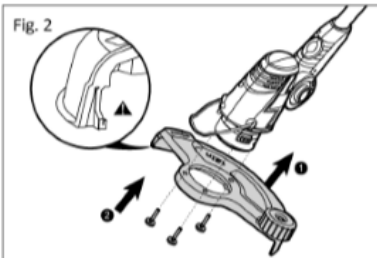
Assemblez le carter de protection comme indiqué ci-dessous en l'insérant sur la fente de la tête du boîtier du moteur. Avec un tournevis Phillips, fixez la seule (1) vis dans le carter de protection et le boîtier du moteur. Retirez la protection de lame.

**⚠ AVERTISSEMENT** : N'utilisez pas la tondeuse à fil sans le carter de protection fixé.

Portez toujours des gants lors du montage ou du remplacement de la protection. Faites attention à la lame sur le garde et protégez vos mains contre la blessure par la lame.

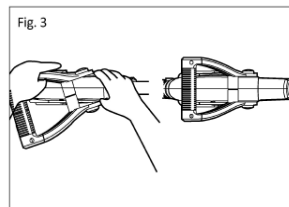
Positionnez la protection sur le taille-haie, puis fixez-la à l'aide des vis fournies. (Fig.2)

REMARQUE: Une roue de guidage est prémontée sur la protection pour faciliter la fonction de coupe des bords.

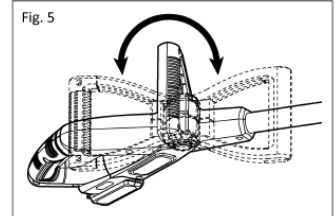
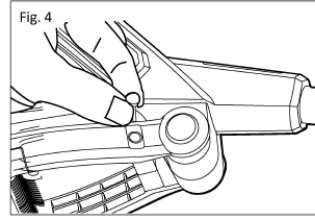


### FIXATION DE LA POIGNEE AUXILIAIRE

- Placez un trou côté à la base de la poignée auxiliaire sur le bouton situé dans la partie inférieure de la poignée arrière.
- Appuyez sur l'autre trou côté à la base de la poignée auxiliaire sur le bouton situé de l'autre côté de la poignée arrière. (Fig.3.)

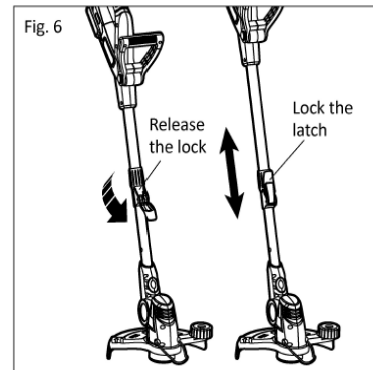


- Vissez fermement la poignée avant à l'aide de la vis ST 4.2 X 18 incluse. (Fig.4)
- Vous pouvez facilement ajuster la poignée en appuyant simultanément sur les deux côtés des boutons. (Fig 5)



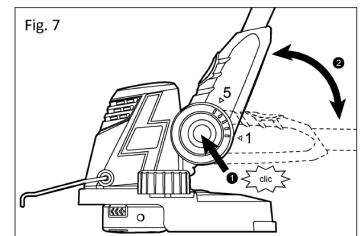
### RÉGLAGE DE LA HAUTEUR

La hauteur totale du trimmer peut être ajustée. Relâchez la pince sur le tube. Les tubes peuvent ensuite être ajustés plus ou moins longtemps. Lorsque la hauteur désirée est atteinte, verrouillez-la avec la pince. (Fig.6)



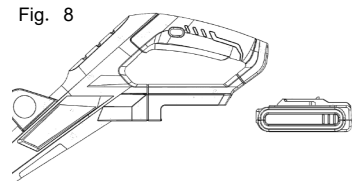
### EN CHANGEANT L'ANGLE DE TRAVAIL

Le trimmer peut être réglé selon cinq angles de fonctionnement différents. Appuyez et maintenez le bouton de localisation. Définissez l'angle de fonctionnement souhaité. Les positions angulaires 1 et 2 sont destinées à la coupe des bords. Les positions 3,4 et 5 d'angle sont pour une coupe normale. Relâchez le bouton de localisation. (Fig.7)



### INSTALLATION ET RETRAIT DU BLOC DE BATTERIES DE L'UNITÉ

Glissez la batterie dans le taille-bordures (voir illustration). Assurez-vous que la batterie est correctement connectée. Pour retirer la batterie, appuyez sur le bouton de dégagement et faites glisser la batterie hors de l'outil. (Fig.8)



# UTILISATION

## MISE EN MARCHÉ DE L'OUTIL

Appuyez sur le bouton de verrouillage avec le pouce et pressez le contacteur gâchette avec les doigts. (Une fois que l'outil fonctionne, vous pouvez relâcher le bouton de verrouillage.) Pour arrêter l'outil, relâchez le contacteur.

Avant de mettre l'outil en marche, assurez-vous que la tondeuse à fil ne touche aucun d'objet.

**⚠ AVERTISSEMENT** : Des pierres, des morceaux de métal ou d'autres objets peuvent être projetés à grande vitesse par le fil. L'outil et le carter de protection sont conçus afin de réduire le danger.

**⚠ AVERTISSEMENT** : Respectez les consignes suivantes pour éviter de vous blesser :  
Lisez le manuel d'instructions avant toute utilisation et conservez-le.  
N'approchez pas les mains des fils.  
Gardez les mains sur les poignées. N'essayez pas de couper trop loin.

Si vous heurtez ou happez un objet étranger, arrêtez immédiatement l'outil, vérifiez s'il est endommagé et faites-le réparer s'il le faut avant de l'utiliser à nouveau. Ne l'utilisez pas avec un moyeu ou un dévidoir brisé.

# UTILISATION

## INSTRUCTIONS DE COUPE

⚠ **MISE EN GARDE** : Les fils tournent encore après la mise hors tension. N'utilisez pas l'outil dans des conditions mouillées.

⚠ **MISE EN GARDE** : Inspectez la zone à couper et enlevez tout fil de fer, câble ou objet filaire pouvant s'emmêler dans le fil ou le dévidoir en rotation. Faites particulièrement attention d'éviter tout fil de fer pouvant être tordu vers l'extérieur dans la trajectoire de l'outil, comme le fil barbelé à la base d'une clôture à mailles en losange.

### Position correcte pour la coupe

Votre poids doit être équilibré, avec les deux pieds sur un sol ferme.

### Procédure de coupe de base

Balancer doucement la tondeuse de gauche à droite, comme illustré.



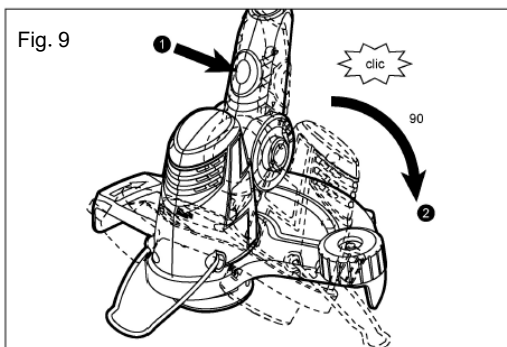
### BORDURE

La fonction de coupe de bord permet une coupe précise et facile le long du bord de la pelouse. Appuyez sur le bouton de localisation du bouton de réglage d'angle et tournez simultanément la tête du trimmer de 90 degrés.

REMARQUE: pour faciliter le travail, dans cette position, l'appareil peut être guidé au sol sur la roue de guidage.

Revenez à la position de tondeuse en éteignant l'outil, puis en appuyant sur le bouton et en tournant la tête de la tondeuse dans le sens horaire jusqu'à son arrêt. Lors de l'utilisation de l'outil en mode tondeuse, vous pouvez choisir de plier le guide du bord du fil et de le faire disparaître.

⚠ **AVERTISSEMENT** : Ne coupez pas à proximité de câbles ou de bâtiments.



⚠ **AVERTISSEMENT** : L'utilisation répétée de ce produit ne doit pas vous rendre imprudent. N'oubliez pas qu'une fraction de seconde d'inattention suffit pour infliger des blessures graves. N'utilisez pas la tondeuse à fil dans un arbre, sur une échelle ou sur un échafaudage, car ceci est extrêmement dangereux. Portez des gants non glissants pour une tenue et une protection maximales.

### ALIMENTATION EN LIGNE

Votre tondeuse à fil utilise du fil de nylon d'un diamètre de 1,65 mm (0,065 po) pour couper la pelouse et les mauvaises herbes rapidement et facilement. Avec le temps, le bout du fil de nylon s'usera et le mécanisme d'alimentation automatique déroulera et coupera alors une longueur neuve de fil. Le fil de coupe s'usera plus rapidement si la coupe est effectuée le long des trottoirs ou d'autres surfaces abrasives, ou si des mauvaises herbes plus robustes sont coupées. Le fil s'allongera d'environ 6,3 mm (0,25 po) lors de chaque activation de la gâchette jusqu'à ce que le fil atteigne la longueur de la lame déflectrice de pelouse. **Ne cognez pas l'appareil** contre le sol afin d'alimenter le fil ou pour toute autre raison.

### Alimentation automatique

A chaque activation et désactivation, la ligne est ajustée en dehors du moyeu de la bobine.

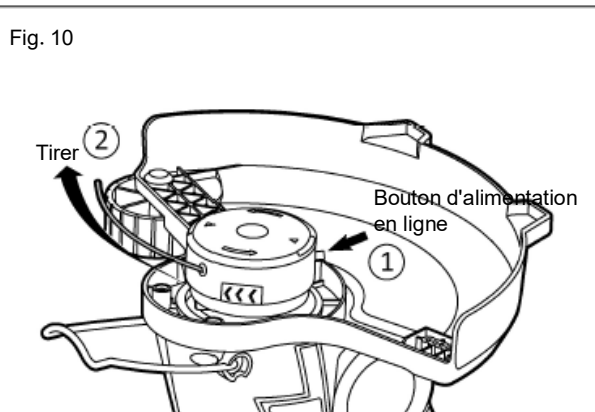
REMARQUE: Allumer et éteindre fréquemment sans raison entraîne une usure accrue de la ligne.

REMARQUE: si le fil de coupe devient trop court en raison d'usure, éteignez puis rallumez l'appareil pour rallonger automatiquement la longueur de travail du fil de coupe.

### Alimentation manuelle

Si le fil de la tondeuse heurte des objets tranchants ou abrasifs, comme des pierres, des pièces de métal ou du béton, il risque d'être rogné trop court pour poursuivre la coupe. Dans ce cas, vous pouvez l'allonger à la main (Fig. 10) :

1. RETIREZ LE BLOC-BATTERIE.
2. Appuyez d'une main sur le bouton d'alimentation du fil tout en tirant le fil de l'autre main pour le faire sortir.
3. Appuyez plusieurs fois sur l'alimentation du fil jusqu'à obtention de la longueur correcte. Chaque pression du bouton libère environ 0,6 cm (1/4 po) de fil. (Remarque : ne faites sortir que la quantité de fil lui permettant de dépasser à peine de la lame. En cas d'une sortie excédentaire de fil, la lame ne pourra pas le couper à la longueur utile correcte et celui-ci risque de s'enchevêtrer sur l'axe de rotation.)
4. Installez le bloc-batterie.
5. Redémarrez la tondeuse et reprenez votre travail normal.



## UTILISATION

### REPLACEMENT DU DÉVIDOIR / LIBÉRER LES FILS PRIS ET EMMÊLÉS

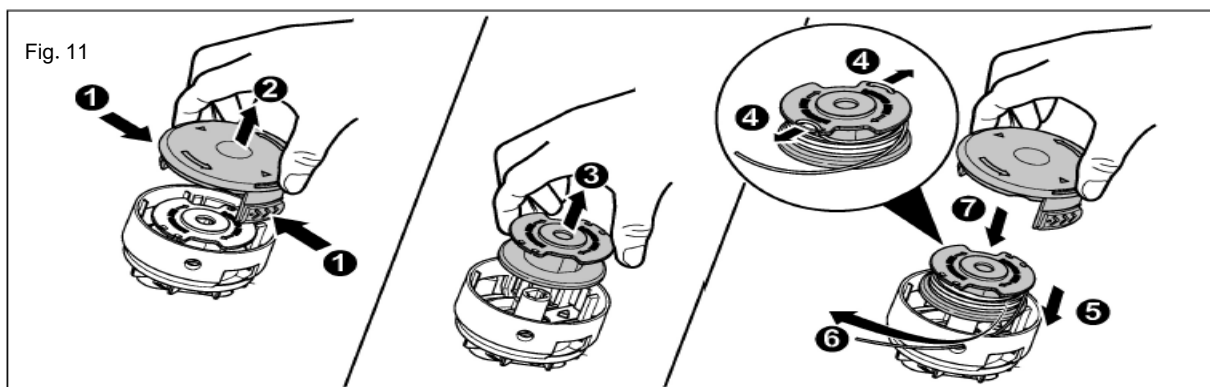
De temps en temps, plus particulièrement lors de la coupe de mauvaises herbes épaisses, le moyeu d'alimentation du fil se bouchera avec de la sève ou un autre matériau et le fil deviendra alors pris. Pour dégager cela, suivez les instructions ci-après.

- Éteignez la tondeuse et retirez la batterie.
- Appuyez sur les languettes de dégagement du dispositif de retenue de la bobine de ligne<sup>①</sup> et retirez le couvercle<sup>②</sup> en le tirant bien droit.
- Retirez la bobine de ligne<sup>③</sup>. Si nécessaire, enlevez toute saleté.
- Étendez la ligne coincée ou emmêlée dans le porte-bobine<sup>④</sup>.
- Insérez la bobine dans le réceptacle<sup>⑤</sup>.
- Passez l'extrémité de la ligne dans l'oeillet du dispositif de retenue de la bobine<sup>⑥</sup>.
- Appuyez fermement simultanément sur les deux languettes du couvercle de la bobine et poussez le capuchon sur la bobine jusqu'à ce qu'il s'engage<sup>⑦</sup>.

### REBOBINER LE DÉVIDOIR DU FIL EN VRAC (UTILISEZ SEULEMENT DU FIL D'UN DIAMÈTRE DE 1,65 MM (0,065 po))

Du fil en vrac conçu pour votre tondeuse/coupe-bordure et sans frais supplémentaire est disponible auprès de votre fournisseur local ou votre centre service. Pour installer, suivez les instructions suivantes :

- Éteignez la tondeuse et retirez la batterie.
- Appuyez sur les onglets de dégagement du couvercle du dévidoir, comme illustré à la Fig. 11, puis retirez le couvercle en le tirant tout droit. Retirez le dévidoir de l'outil et enlevez et jetez tout fil se trouvant dans le dévidoir.
- Insérez un bout du fil en vrac dans l'œillet du dévidoir comme illustré à la Fig. 2.
- Tenez le fil dans l'œillet et tirez le reste du fil par la fente dans le dévidoir comme illustré à la Fig. 3.
- Embobinez étroitement et également le fil en vrac dans le dévidoir dans le sens de la flèche jusqu'à ce que le dévidoir soit presque plein.
- Insérez le bout du fil à travers l'œillet dans le moyeu du dévidoir comme indiqué à la Fig. 4. Tirez le fil à travers l'œillet pour conserver la tension tout en abaissant le dévidoir dans le moyeu alors que le côté doté d'une encoche est exposé.
- Abaissez **DOUCEMENT** le dévidoir et tournez-le jusqu'à ce qu'il s'enclenche. (Lorsqu'il est en place, le dévidoir tournera librement de quelques degrés vers la gauche et la droite.)
- Remettez en place le couvercle du dévidoir, insérez la batterie et mettez en marche l'outil. En moins de quelques secondes, vous entendrez le fil de nylon se faire couper automatiquement à la bonne longueur.



## MAINTENANCE

**⚠ MISE EN GARDE** : Ne laissez jamais de liquide de frein, d'essence, de produits à base de pétrole, d'huiles pénétrantes, etc. entrer en contact avec les pièces en plastique. Ces substances contiennent des produits chimiques pouvant endommager, affaiblir ou détruire le plastique.

Assurez-vous que la batterie soit retirée de l'appareil, n'utilisez ensuite que du savon doux et un chiffon mouillé pour nettoyer l'outil. Ne laissez jamais de liquide entrer dans l'outil; n'immergez jamais une partie de l'outil dans du liquide.

Les engrais et autres produits chimiques de jardinage contiennent des agents qui accélèrent fortement la corrosion des métaux. Ne rangez pas l'outil sur ou à côté d'engrais ou de produits chimiques.

**⚠ IMPORTANT** : Pour garantir la **SÉCURITÉ** et la **FIABILITÉ** du produit, les réparations, la maintenance et le réglage doivent être effectués par un centre de réparation agréé ou un autre organisme de réparation qualifié qui utilise toujours des pièces de rechange identiques.

Si la tondeuse à fil tombe, vérifiez avec soin si elle est endommagée. Si le carter est tordu ou fendu, les poignées cassées ou si vous constatez d'autres problèmes pouvant affecter le fonctionnement de la tondeuse à fil, la pièce doit être réparée avant de réutiliser la tondeuse. Appelez notre service clientèle au 1-800-618-7474 pour obtenir de l'aide.

# CHARGER LE BLOC-BATTERIE

La batterie de 24 V fournie est étanche, sans entretien requis et sans risque de fuites.

Ne chargez le bloc-batterie qu'avec le chargeur fourni.

Attendez au moins 60 minutes de charge avant la première utilisation de l'outil.

Assurez-vous que l'alimentation est d'une tension domestique normale: 120 V, 60 Hz, CA uniquement.

Le chargeur de batteries doit être utilisé à des températures entre 4 et 40 °C (39 et 104 °F).

La batterie doit être chargée dans un endroit frais et sec.

Deux à trois cycles initiaux de charge/décharge peuvent être nécessaires pour obtenir la durée/capacité maximum.

Ne tentez pas d'ouvrir le chargeur ou l'appareil. Ils ne contiennent pas de pièces réparables par le client. Appelez le service clientèle au

1-800-618-7474 pour obtenir de l'aide.

NE brûlez PAS les blocs-batteries, même si ces derniers sont sévèrement endommagés ou complètement usés. Ils peuvent exploser dans un feu et provoquer des blessures.

N'utilisez le chargeur de batterie qu'à l'intérieur.

Déconnectez le chargeur de l'alimentation quand il n'est pas utilisé afin d'éviter de l'endommager en cas de surtensions.

Lorsqu'elles sont entièrement chargées, les batteries peuvent être stockées de façon sûre à des températures pouvant atteindre -4 °F (-20 °C) pendant quatre semaines avant de devoir être rechargées. Chargez complètement le bloc-batterie tous les 90 jours.

Si, avec le temps, le bloc-batterie s'épuise rapidement après une période complète de charge de 60 minutes, vous devrez le remplacer.

Pour éviter des dommages permanents à la batterie, ne la stockez jamais complètement déchargée.

**REMISAGE POUR L'HIVER** - Effectuez une recharge complète avant le remisage et ensuite tous les 90 jours.

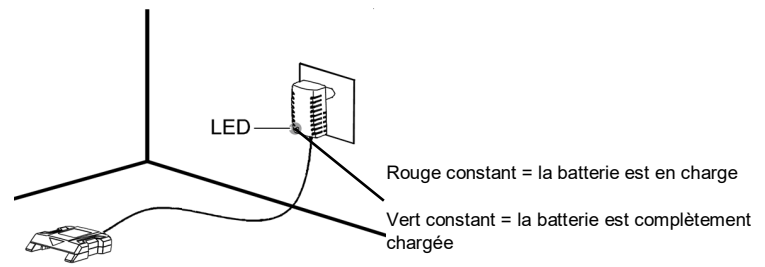
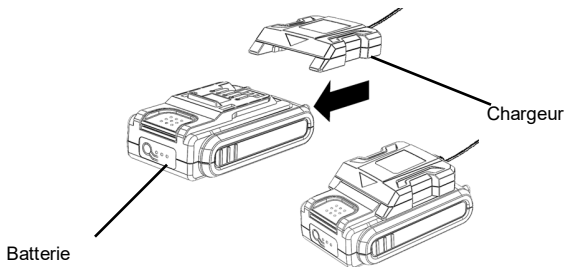
La batterie ne développant pas de mémoire, il n'est pas nécessaire qu'elle soit entièrement déchargée avant de la recharger.

Une faible fuite de liquide des compartiments de batterie peut se produire dans des conditions extrêmes d'utilisation, de charge ou de températures. Ceci n'est pas le signe d'une défaillance.

Toutefois, si le joint extérieur est rompu et que cette fuite atteint votre peau :

- Lavez rapidement avec du savon et de l'eau.
- Neutralisez avec un acide doux, comme du jus de citron ou du vinaigre.
- Si du liquide de batterie atteint les yeux, rincez-les avec de l'eau propre pendant un minimum de 10 minutes et appelez immédiatement un médecin.

## TO CHARGE - SEE CHARGER MANUAL FOR COMPLETE INSTRUCTIONS



## DÉPANNAGE

Problème	Cause possible	Solution possible
- L'appareil ne fonctionne pas	- La batterie ne fait pas contact - Le déverrouillage n'est pas activé à fond - La batterie n'est pas correctement installée - La batterie n'est pas chargée	- Vérifier que la batterie soit insérée à fond - Vérifier que le déverrouillage soit à fond vers l'avant avant d'activer la gâchette - Vérifier l'installation de la batterie - Vérifier les exigences de charge de la batterie
- Le fil n'avance pas	- Le fil est enchevêtré dans le dévidoir	- Dérouler 60,9 cm (24 po) de fil et le rembobiner
- Impossible de couper le fil	- Le coupe-fil du carter de protection est endommagé ou manquant	- Remplacer le carter de protection
- La batterie ne se charge pas	- La batterie n'est pas insérée dans le chargeur - Le chargeur n'est pas branché	- Insérer la batterie dans le chargeur jusqu'à ce que la DEL rouge s'allume - Brancher le chargeur sur une prise opérationnelle - Vérifier le courant à la prise en branchant une lampe ou un autre appareil - Vérifier si la prise est connectée à un interrupteur d'éclairage qui coupe l'alimentation quand vous éteignez la lumière
	- La température de l'air ambiant est trop élevée ou trop basse	- Placer le chargeur et l'appareil dans un endroit où la température ambiante est supérieure à 4 °C (39 °F) ou inférieure à 40 °C (104 °F)

## MISE AU REBUT DE LA BATTERIE

Retirez le bloc-batterie de la tondeuse à fil. Couvrez les bornes avec du ruban adhésif résistant. Ne tentez pas de détruire ou de démonter le bloc-batterie ou d'enlever des composants. Ce produit contient des batteries au lithium-ion qui doivent être recyclées ou éliminées de façon appropriée. Les lois locales, provinciales ou fédérales peuvent interdire l'élimination de ces batteries dans les déchets ménagers.



Le sceau RBRC sur le bloc-batterie au lithium-ion indique que les coûts du recyclage du bloc-batterie à la fin de sa durée de vie utile ont déjà été payés par la société The Great States Corporation/American Lawn Mower Company. Il est illégal de placer des batteries lithium-ion usagées dans les ordures domestiques de la localité ou dans les poubelles. RBRC, en coopération avec la société The Great States Corporation/American Lawn Mower Company, fournit un moyen facile et écologique de recycler les batteries lithium-ion usagées. Il suffit de communiquer avec votre centre de recyclage local ou d'appeler le 1-800-8BATTERY pour savoir où déposer la batterie usagée.

## PIÈCES ET SERVICE

Pour les pièces ou le service, veuillez appeler le 1-800-618-7474 ou visitez notre site Web à l'adresse SCOTTS.AMERICANLAWNMOWER.COM. Assurez-vous de fournir toutes les informations pertinentes lorsque vous appelez ou visitez.

### PIÈCES DE RÉPARATION (KITS / ARTICLES)

Le numéro de modèle/série de cet outil se trouve sur une plaque ou une étiquette attachée au boîtier. Veuillez enregistrer le numéro de série dans l'espace prévu ci-dessous.

NUMÉRO DE MODÈLE   LST02012S  

NUMÉRO DE SÉRIE \_\_\_\_\_

Toujours mentionner le numéro de modèle lors de la commande de kits / articles pour cet outil.

Nombre	Kit / article	Nombre	La description	Quantité
1	LST20-AHK-2		Kit de poignée auxiliaire	1
2	LST20-PGK-2		Kit de protection	1
3	RS90120		Kit de bobine	1
4	LST20-SRK-1		Bobine et couverture	1
5	BL82120		Batterie 20V	1
6	CHL82000		Chargeur 20V	1

### APPELEZ-NOUS D'ABORD!!

Appelez-nous d'abord avec des questions sur le fonctionnement ou l'entretien de votre coupe-bordures au 1.800.618.7474 entre 8h00 et 17h00 Heure normale de l'Est, ou obtenir de l'aide sur [scotts.americanlawnmower.com](http://scotts.americanlawnmower.com).







## MANUEL DE L'UTILISATEUR

### TONDEUSE À FIL SANS CÂBLE 20 V BATTERIE AU LITHIUM-ION

Droit d'auteur. Tous droits réservés.

#### POLITIQUE DE GARANTIE SCOTTS

- **Garantie limitée de 3 ans** sur tous les outils électriques au lithium-ion 20 V Scotts à compter de la date d'achat lorsqu'ils sont utilisés à des fins personnelles, domestiques ou familiales.
- **Garantie limitée de 1 an** sur toutes les batteries et chargeurs au lithium-ion 20V Scotts à compter de la date d'achat lorsqu'ils sont utilisés à des fins personnelles, domestiques ou familiales.

The Great States Corp. (GSC) garantit au propriétaire original que ce produit et cette pièce de rechange Scotts sont exempts de défauts de matériaux et de fabrication et accepte de réparer ou remplacer tout produit ou pièce défectueux pendant la période de garantie comme indiqué ci-dessus.

- La garantie est annulée en cas d'utilisation du produit à des fins commerciales ou industrielles ou à toute fin inappropriée comme déterminé par GSC.
- La garantie ne comprend pas les réparations nécessaires découlant d'un mauvais usage ou d'une négligence de l'utilisateur (y compris surcharger le produit au-delà de sa capacité ou l'immerger dans l'eau), ou le manquement à assembler, opérer, entretenir ou ranger le produit selon les instructions du manuel du propriétaire.
- Cette garantie ne couvre pas
  - ◇ L'usure des articles, notamment les - courroies et engrenages d'entraînements, dents, lames de coupe, lames de tondeuse, chaînes de scie, lames à déchiqueter, ventilateurs de souffleuse, couvercles de dévidoir, ligne de coupe, tubes de souffleuse et d'aspiration, barres-guides, tuyaux à haute pression, roues, poignées, tarières, sacs usées, câbles électriques et autres articles sujets à l'usure au fil du temps.
  - ◇ L'usure des batteries, y compris notamment - les chutes, l'usure et le bris sur le chargeur, l'exposition à des changements extrêmes de températures (chaud ou froid), la batterie laissée trop longtemps sur le chargeur, la batterie laissée trop longtemps non chargée, et une mauvaise utilisation ou un mauvais traitement de la batterie.
- Cette garantie ne couvre pas les dommages causés par le froid, la chaleur, la pluie, l'humidité excessive et les autres conditions environnementales extrêmes.
- Cette garantie ne couvre pas la détérioration normale de la finition extérieure ou l'usure normale sur les produits, y compris notamment les éraflures, fissures, entailles ou dommages causés par des produits chimiques extérieurs.
- Cette garantie n'est pas transférable et s'applique seulement aux nouveaux produits vendus directement par un détaillant autorisé. Cette garantie ne s'applique pas à tout produit, neuf ou d'occasion, acheté par le biais de canaux tiers non autorisés. Pour de l'information sur les détaillants autorisés, communiquez avec notre ligne directe du service à la clientèle au 1-800-618-7474 (lun. au ven., 8 h à 17 h, HNE)
- Tout dommage, perte ou frais consécutif, indirect ou conséquent qui pourrait résulter d'un défaut, d'une défaillance ou d'un dysfonctionnement du produit n'est pas couvert par la garantie.
- La garantie ne comprend pas l'installation, l'assemblage ou les réglages normaux expliqués dans le manuel de l'opérateur. Les frais de livraison du produit au vendeur et les frais de renvoi du produit ou des pièces de rechange au propriétaire ne sont pas couverts par la garantie.

#### Limites supplémentaires concernant la garantie

Certains États/provinces ne permettent pas l'exclusion ou la limitation de la durée d'une garantie implicite; les restrictions ci-dessus peuvent donc ne pas s'appliquer. Les produits vendus endommagés ou incomplets, vendus tels quels, vendus remis en état ne sont pas couverts par la garantie. Les dommages ou responsabilités provoqués par le transport, une mauvaise manipulation, un mauvais assemblage, une tension ou un câblage incorrect, une mauvaise maintenance, une modification incorrecte ou l'utilisation d'accessoires ou d'outils non spécifiquement recommandés ne sont pas couverts par cette garantie.

**Une preuve d'achat (original du reçu de vente daté) doit accompagner toute réclamation de garantie.**

**Pour les réclamations, allez à [scotts.americanlawnmower.com](http://scotts.americanlawnmower.com) ou communiquez avec notre ligne directe du service à la clientèle de 8 h à 17 h HNE, lun. au ven. au 1-800-618-7474**



American Lawn Mower Company The  
Great States Corporation  
7444 Shadeland Station Way  
Indianapolis, IN 46256 États-Unis  
Phone 1-800-618-7474  
[scotts.americanlawnmower.com](http://scotts.americanlawnmower.com)

Dans le cadre d'un engagement permanent d'amélioration de la qualité, le Fabricant se réserve le droit d'apporter des modifications à des composants ou à la conception si nécessaire.

Rev. 11/20/2019