

Master Craft®

OPERATOR'S MANUAL

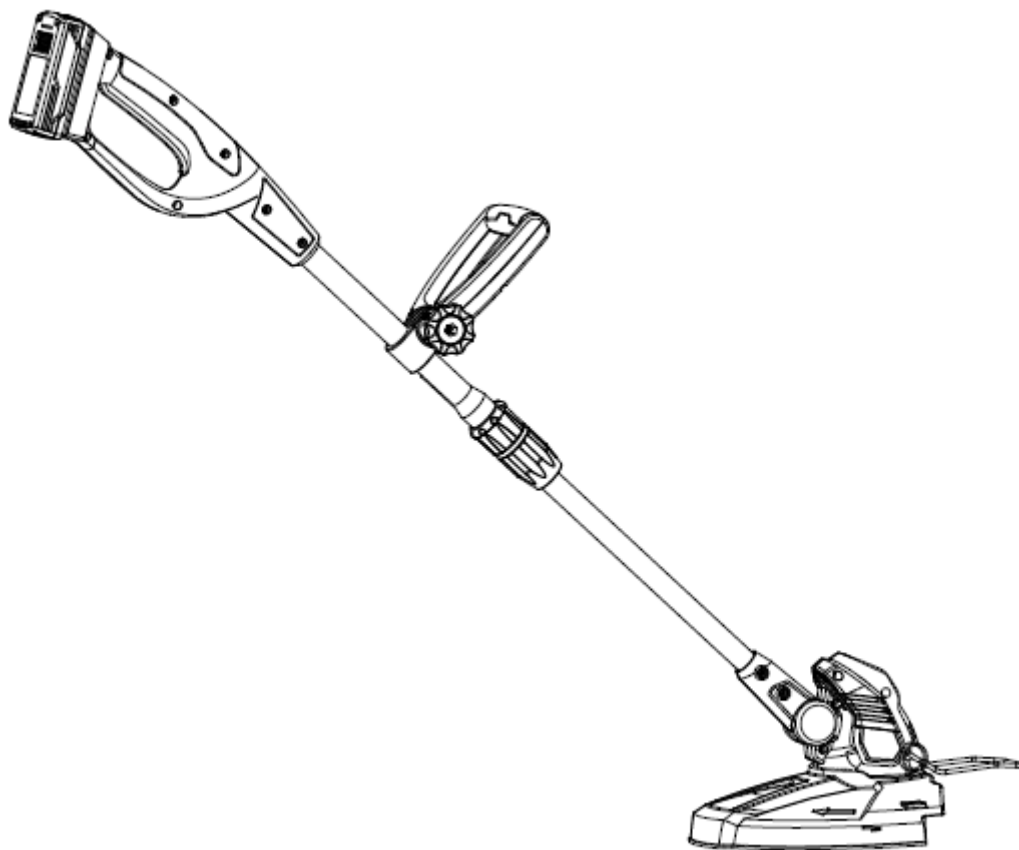
CORDLESS 20 VOLT STRING TRIMMER LITHIUM-ION BATTERY PACK

This product is covered by U.S. patents and other international patents

Copyright. All Rights Reserved.

Model LST02212

Item LST02212MC



CA Compliant Charger Included (Model No. CHL90020)

Your string trimmer has been engineered and manufactured to our high standard for dependability, ease of operation, and operator safety. Properly cared for, it will give you years of rugged, trouble-free performance.



WARNING: To reduce the risk of injury, the user must read and understand the operator's manual before using this product.

BATTERY MUST BE CHARGED BEFORE FIRST USE

Thank you for your purchase.

DO NOT RETURN THIS PRODUCT TO THE STORE. OPERATING, ASSEMBLY, PARTS, SERVICE QUESTIONS?
CALL 1-800-313-5111 BETWEEN 8:00 AM—5:00 PM EST FOR ASSISTANCE.

SAVE THIS MANUAL FOR FUTURE REFERENCE



IMPORTANT SAFETY WARNINGS



TO REDUCE RISK OF INJURY:

Before any use, be sure everyone using this tool reads and understands all safety instructions and other information contained in this manual.

CAUTION: Wear appropriate personal hearing protection during use. Under some conditions and duration of use, noise from this product may contribute to hearing loss.

Save these instructions and review frequently prior to use and in instructing others.

WARNING: When using electric gardening appliances, basic safety precautions should always be followed to reduce risk of fire, electric shock, and personal injury, including the following:

READ ALL INSTRUCTIONS

GENERAL SAFETY

KEEP CHILDREN AWAY - All visitors, children and pets should stay at a safe distance from the work area.

DRESS PROPERLY – Don't wear loose clothing or jewelry. Wear protective hair covering to contain long hair. They can be caught in moving parts. Use of rubber gloves and substantial footwear is recommended when working outdoors. Always wear long pants when operating this string trimmer.

USE SAFETY GLASSES –Wear safety glasses with side shields or goggles that are marked to comply with ANSI Z87.1 standard when operating this product. Use face or dust mask if environment is dusty.

USE RIGHT APPLIANCE – Do not use an appliance for any job except that for which it is intended.

REMOVE THE BATTERY FROM THE STRING TRIMMER when not in use or when servicing or cleaning. Do not leave unattended.

CHECK DAMAGED PARTS – Before further use of the trimmer, a guard or other part that is damaged should be carefully checked to determine that it will operate properly and perform its intended function. Check for alignment of moving parts, binding of moving parts, breakage of parts, mounting and any other condition that may affect its operation. A guard or other part that is damaged should be properly repaired or replaced. Call our customer service help line at 1-800-313-5111 for assistance.

LIGHTING - Only operate trimmer in daylight or good artificial light.

DON'T OVERREACH – Keep proper footing and balance at all times.

WARNING: Do Not use the string trimmer with any type of accessory or attachment. Such usage might be hazardous.

AVOID DANGEROUS ENVIRONMENTS – Don't use trimmer in rain, damp or wet locations. Do not operate trimmer in gaseous or explosive atmospheres. Motors in these tools normally spark, and the sparks might ignite fumes.

AVOID UNINTENTIONAL STARTING – Don't carry the string trimmer with finger on switch. Be sure switch trigger is in the locked or off position before inserting battery pack.

DANGER: Risk of cut. Keep hands away from the line. Keep both hands on handles when power is on.

CAUTION: Use only the following type and size battery (ies): BL82020-1.

DANGER: Do not dispose of the batteries in a fire. The cell may explode. Check with local codes for possible special disposal instructions.

DANGER: Do not open or mutilate the batteries. Released electrolyte is corrosive and may cause damage to the eyes or skin. It may be toxic if swallowed.

CAUTION: Exercise care in handling batteries in order not to short the battery with conducting materials such as rings, bracelets, and keys. The battery or conductor may overheat and cause burns.

DO NOT ATTEMPT to remove cut material or hold material to be cut when lines are moving. Make sure trimmer switch is off when clearing jammed material from guard. Do not grasp the guard or lines when picking up or holding the trimmer.

CAUTION: Lines coasts after turned off.

DON'T FORCE STRING TRIMMER – It will do the job better and with less likelihood of a risk of injury at the rate for which it was designed.

STAY ALERT – Watch what you are doing. Use common sense. Do not operate string trimmer when you are tired or under the influence of drugs, alcohol or medications.

STORE IDLE STRING TRIMMER INDOORS – When not in use, the string trimmer should be stored indoors in a dry and high or locked-up place, out of reach of children.

MAINTAIN TRIMMER WITH CARE – Keep clean for best performance and to reduce the risk of injury. Inspect extension cord periodically and replace if damaged. Keep handles dry, clean and free from oil and grease.

WARNING: California Proposition 65: This product contains chemicals known to the State of California to cause cancer, birth defects or other reproductive harm.

WARNING: Some dust and debris created by this tool could contain chemicals known to the State of California to cause cancer, birth defects or other reproductive harm. Some examples of these chemicals are:

- chemicals in fertilizers
- compounds in insecticides, herbicides and pesticides
- arsenic and chromium from chemically treated lumber

Your risk of exposure to these chemicals varies depending on how often you do this type of work. To reduce your exposure, work in a well ventilated area and with approved safety equipment such as dust masks that are specially designed to filter out microscopic particles.

WARNING: Cancer and Reproductive Harm - www.P65Warnings.ca.gov.

ASSEMBLY

UNPACKING

This product requires some assembly.

PACKING LIST

String Trimmer - Safety Guard
Charger and Battery Pack—Instruction Manual
Hardware Pkg. (attached to Safety Guard)

⚠ WARNING: Do not install battery until assembly is complete. Failure to comply could result in accidental starting and possible serious personal injury.

⚠ WARNING: If any parts are damaged or missing do not operate this product until the parts are replaced. Failure to heed this warning could result in serious personal injury.

Carefully remove the product and any accessories from the box. Make sure that all items listed in the packing list are included. Inspect the product carefully to make sure no breakage or damage occurred during shipping.

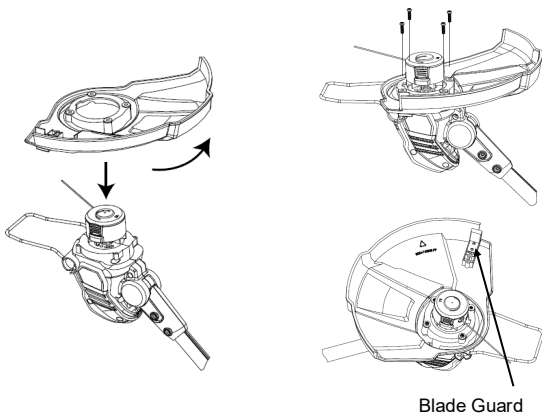
Do not discard the packing material until you have carefully inspected and satisfactorily operated the product.

If any parts are damaged or missing, please call 1-800-313-5111 for assistance.

ATTACHING THE GUARD

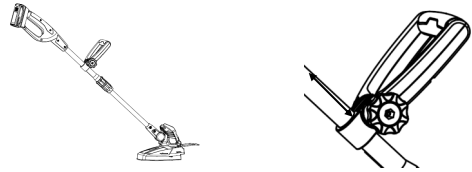
Assemble the guard as shown below by sliding it over the head of the motor housing and rotating it counter clockwise. Using a Phillips screw driver, secure the four (4) screws into the guard and motor housing. Remove blade guard before use.

⚠ WARNING: Do not operate the trimmer without the guard attached.



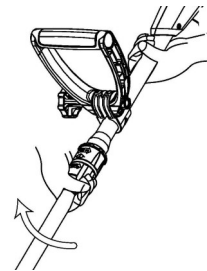
AUXILIARY HANDLE ADJUSTMENT

For maximum comfort and control, adjust the auxiliary handle to suit your height. Shorter users adjust handle to a lower position (away from you) and taller users adjust handle to an upper position (towards you). The handle should be adjusted so that your front arm is straight.



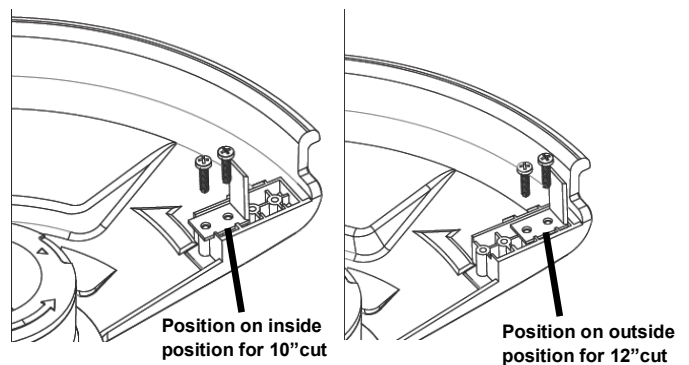
HEIGHT ADJUSTMENT

The overall height of the trimmer can be adjusted by loosening the locking collar. The tubes can then be extended shorter or longer. When the desired height is achieved rotate the locking collar back to the original tightened position.



CUTTING WIDTH ADJUSTMENT

Cutting width can be adjusted to 10" or 12" by positioning the line cutting blade as shown.



OPERATING

TO TURN THE TOOL ON

Push the lock button in with your thumb and then squeeze the trigger with your fingers. (Once the tool is running, you can release the lock button). To turn the tool OFF, release the trigger.

Before you start the unit, make sure the trimmer is not contacting any object.

⚠ WARNING: Stones, pieces of metal and other objects can be thrown out at high speed by the line. The unit and guard are designed to reduce the danger.

⚠ WARNING: To guard against injury, observe the following:

- Read instruction manual before using, save instruction manual.
- Keep hands away from lines.
- Keep hands on handles. Don't overreach.

If you strike or become entangled with a foreign object, stop tool immediately, check for damage and have any damage repaired before further operation is attempted. Do not operate with a broken hub or spool.

OPERATING

CAUTION: Lines coasts after turn off.
Do not use under wet conditions.

CAUTION: Inspect area to be trimmed and remove any wire, cord, or string-like objects which could become entangled in the rotating line or spool. Be particularly careful to avoid any wire which might be bent outwardly into the path of the tool, such as barbs at the base of a chain link fence.

WARNING: Do not allow familiarity with this type of product to make you careless. Remember that a careless fraction of a second is sufficient to inflict serious injury.

Do not operate a string trimmer in a tree, on a ladder, or on a scaffold; this is extremely dangerous.

Wear non-slip gloves for maximum grip and protection.

Cutting Instructions

Proper Cutting Stance

Weight should be balanced with both feet on solid ground.

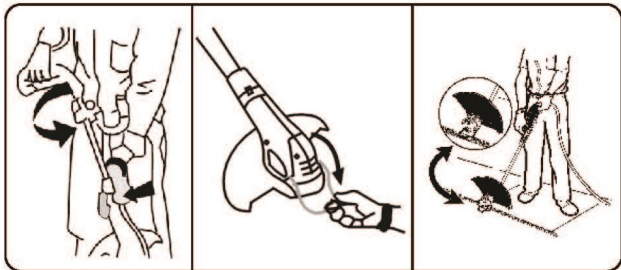


Basic Cutting Procedure

Slowly swing trimmer side-to-side as shown.

To convert for maintenance edging, turn off the tool. Holding the trimmer with one hand by the auxiliary handle, grasp the collar and push in the direction of arrow and rotate the trimmer head until it stops (half turn), release your hand, (rotate clockwise when viewed from the switch end). The tool is locked in the edger position. Rotate the wire edge guide forward and down into place before edging.

To operated as a maintenance edger, position trimmer above sidewalk as shown.



Return to trimming position by turning the tool off, push in direction of arrow and rotating the trimmer head counter clockwise until it stops. When using the tool in the trimmer mode you may choose to fold the wire edge guide out of the way.

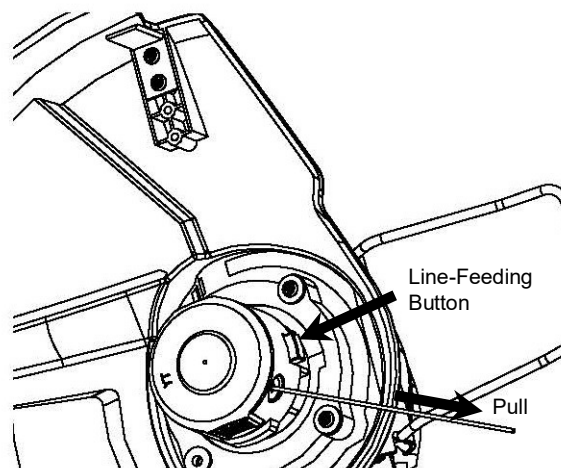
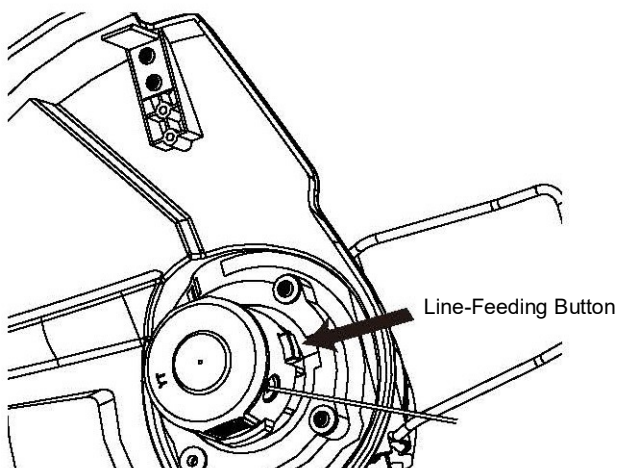
WARNING: Do not trim near electrical wires.

LINE FEEDING

Your trimmer uses .065" (1.65mm) diameter nylon line to cut grass and weeds quickly and easily. In time, the tip of the nylon line will become worn and the auto feed mechanism will automatically feed and trim a fresh length of line. The cutting line will wear faster if the cutting is done along sidewalks or other abrasive surfaces or heavier weeds are being cut. The line will extend approximately 1/4 in. with each stop and start of the switch trigger until the line reaches the length of the grass deflector blade. **Do not bump unit on ground** in attempt to feed line or for any other purpose.

If your trimmer line hits sharp or abrasive objects, such as stones, metal pieces, or concrete, the trimmer line can be cut too short to continue trimming. In this case, you can manually extend the line:

1. REMOVE THE BATTERY PACK.
2. Press the line-feeding button with one hand while pulling the line out with the other.
3. Press the button repeatedly to release line to the proper length. Each press of the button will release approximately 1/4 inch of line. (Note: Release only enough line to extend just beyond the blade. If too much line is released, the blade will be unable to cut it to the correct working length and it may become tangled on the rotating shaft.)
4. Install the battery pack.
5. Restart the trimmer and return to normal operation.



OPERATING

REPLACING SPOOL / CLEARING JAMS AND TANGLED LINES

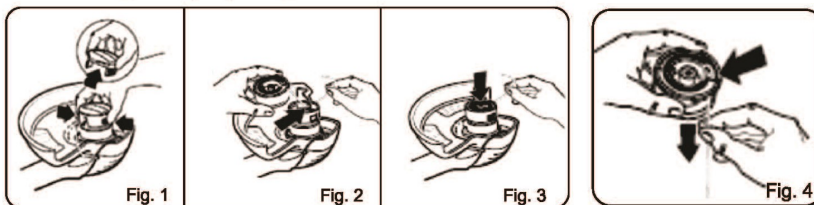
From time to time, especially when cutting thick or stocky weeds, the line feeding hub may become clogged with sap or other material and the line will become jammed as a result. To clear the jam, follow these steps.

- Turn off the trimmer and remove the battery.
- Press the release tabs on the line spool retainer and remove the cover by pulling it straight off.
- Lift the spool of nylon line out of the hub and clear any broken line or cutting debris from the spool area.
- In case of jams and tangled line, unwrap about one foot (30cm) of line to ensure that it is undamaged. If it is OK, rewind it and insert the line ends through the eyelets in the spool hub. Pull the line through the hole to maintain tension while placing the spool down in to the hub with the notched side exposed.
- Press the spool cover down GENTLY and rotate it until you feel it drop into place. (When in place, the spool will freely turn a few degrees left and right.)
- Snap the spool cover back on, insert the battery and turn the tool on. In a few seconds or less you'll hear the line being cut automatically to the proper length.

REWINDING SPOOL FROM BULK LINE (USE ONLY .065" DIAMETER LINE)

Bulk line for your trimmer/edger is available at extra cost from your local dealer. To install bulk line, follow these steps:

- Turn off the trimmer and remove the battery.
- Press the release tabs on the line spool cover as shown in Fig. 1, and remove the cover by pulling it straight off. Remove the spool from the tool and remove and discard all line on the spool.
- Insert one end of the bulk line into the hole in the spool as shown in Fig. 2.
- Hold the line in the hole and pull the rest of the line through the slot in the spool as shown in Fig. 3.
- Snugly and evenly wind the bulk line onto the spool in the direction of the arrow until it is nearly full.
- Insert the line end through the eyelet in the spool hub as should in Fig. 4. Pull the line through the hole to maintain tension while placing the spool down into the hub with the notched side exposed.
- Press the spool down GENTLY and rotate it until you feel it drop into place. (When in place, the spool will turn a few degrees left and right freely.)
- Snap the spool cover back on, insert the battery and turn the tool on. In a few seconds you'll hear the nylon line being cut automatically to the proper length.

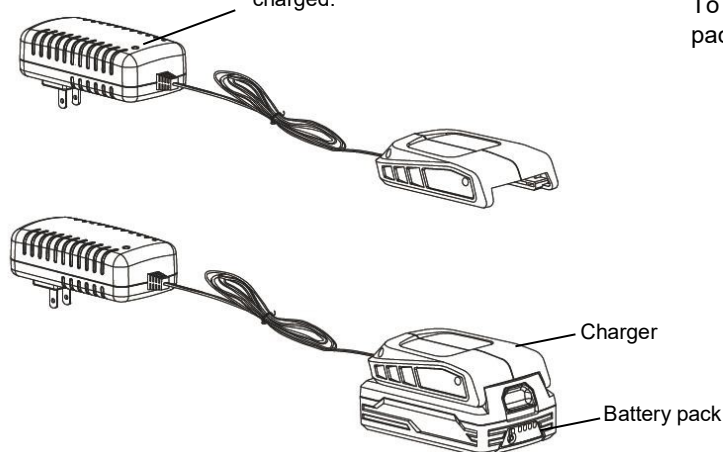


CHARGING THE BATTERY PACK

SEE CHARGER MANUAL FOR COMPLETE INSTRUCTIONS

Charger and Battery pack

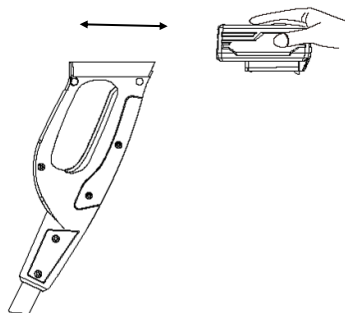
Constant Red = Battery is charging
Constant Green = Battery is fully charged.



INSTALLING AND REMOVING BATTERY PACK FROM THE UNIT

Slide the battery pack into your tool (see picture). Ensure the battery is securely connected to tool.

To remove battery, depress release button and slide battery pack out of tool.



CHARGING THE BATTERY PACK

Charge the battery pack only with the charger provided.
Allow at least 60 minutes of charge time before initial use of the pole saw.

Make sure the power supply is normal household voltage, 120volts, 60Hz, AC only.

The battery charger should be operated in temperatures between 32 and 100 degrees F.

The battery should be charged in a cool, dry place.

2 to 3 initial charging/discharging cycles may be required to achieve maximum run time/capacity.

Do not attempt to open the charger or the unit. There are no customer serviceable parts inside. Call the customer service help line at 1-800-313-5111 for assistance.

DO NOT incinerate battery packs even if they are severely damaged or completely worn out. They can explode in a fire causing injury.

Use the battery charger indoors only.

Disconnect charger from the power supply when not in use to prevent damage to the charger during a power surge.

When fully charged, the battery can be safely stored in temperatures down to -4° degrees F for a period of up to

four weeks, before requiring charging.

Fully charge battery pack every 90 days.

If over a period of time the battery pack quickly runs down after a full 60 minutes charging period, a replacement battery pack is needed.

To prevent permanent damage to the battery, never store in a discharged condition.

WINTER STORAGE—Fully recharge before storage and then again every 90 days.

Since the battery will not develop a memory, it does not have to be fully discharged before recharging.

A small leakage of liquid from the battery cells may occur under extreme usage, charging or temperature conditions. This does not indicate a failure. However, if the outer seal is broken and this leakage gets on your skin.

- a. Wash quickly with soap and water.
- b. Neutralize with a mild acid such as lemon juice or vinegar.
- c. If the battery liquid gets in your eyes, flush them with clean water for a minimum of 10 minutes and seek immediate medical attention.

BATTERY DISPOSAL

Remove the battery pack from the string trimmer. Cover the terminals with heavy duty adhesive tape. Do not attempt to destroy or disassemble battery pack or remove any components. This product contains lithium-ion batteries which must be recycled or disposed of properly. Local, state or federal laws may prohibit disposal of these batteries in ordinary trash.



The RBRC seal on the li-ion battery pack indicates that the costs to recycle the battery pack at the end of its useful life has already been paid by The Great States Corporation American Lawn Mower Company. It is illegal to place spent li-ion batteries in the local municipal solid waste or in the trash. RBRC in cooperation with The Great States Corporation American Lawn Mower Company has provided an environmentally friendly and easy way to recycle spent li-ion batteries. Just contact your local recycling center or call 1-800-8BATTERY for information on where to drop off the spent battery.

TROUBLESHOOTING

Problem	Possible Cause	Possible Solution
-Unit does not Run	-Battery not making contact -Tripper switch not operational -Battery not installed properly -Battery not charged	-Check battery is fully inserted -Check that lock off button is fully forward prior to moving trigger -Check battery installation -Check battery charging requirements
-Line won't feed	-Line tangled in spool	-Unwrap 24" of line and re-wind
-Line fails to cut off	-Line cutter in guard is damaged or missing	-Replace guard
-Battery will not charge	-Battery not inserted into charger -Charger not plugged in -Surrounding air temperature too hot or too cold	-Insert battery into charger until red LED appears -Plug charger into a working outlet -Check current at receptacle by plugging in a lamp or other appliance -Check to see if receptacle is connected to a light switch which turns power off when you turn out the lights -Move charger and tool to a surrounding air temperature of about 32 degree F (0 degree C) or below 100 degree F (+37.8 degree c)

CALL US FIRST !!

Call us first with questions about operating or maintaining your string trimmer at 1.800.313.5111 between 8:00 a.m. – 5:00 p.m. Eastern Standard Time, or send emails to earthwise@reelin.com.

MAINTENANCE

⚠ CAUTION: Do not at any time let brake fluids, gasoline, petroleum based products, penetrating oils, etc., come in contact with plastic parts. They contain chemicals that can damage, weaken or destroy plastic.

Make sure the battery is detached from the unit, then use only mild soap and a damp cloth to clean the tool. Never let any liquid get inside the tool; never immerse any part of the tool into a liquid.

Fertilizers and other garden chemicals contain agents which greatly accelerate the corrosion of metals. Do not store the tool on or adjacent to fertilizers or chemicals.

⚠ IMPORTANT: To assure product SAFETY and RELIABILITY, repairs, maintenance and adjustment should be performed by a qualified individual using only identical replacement parts.

If you drop the trimmer, carefully inspect it for damage. If the guard is bent or cracked, handles broken or if you see any other condition that may affect the trimmer's operation, it must be repaired before putting it back into use. Call our customer service help line at 1-800-313-5111 for assistance.

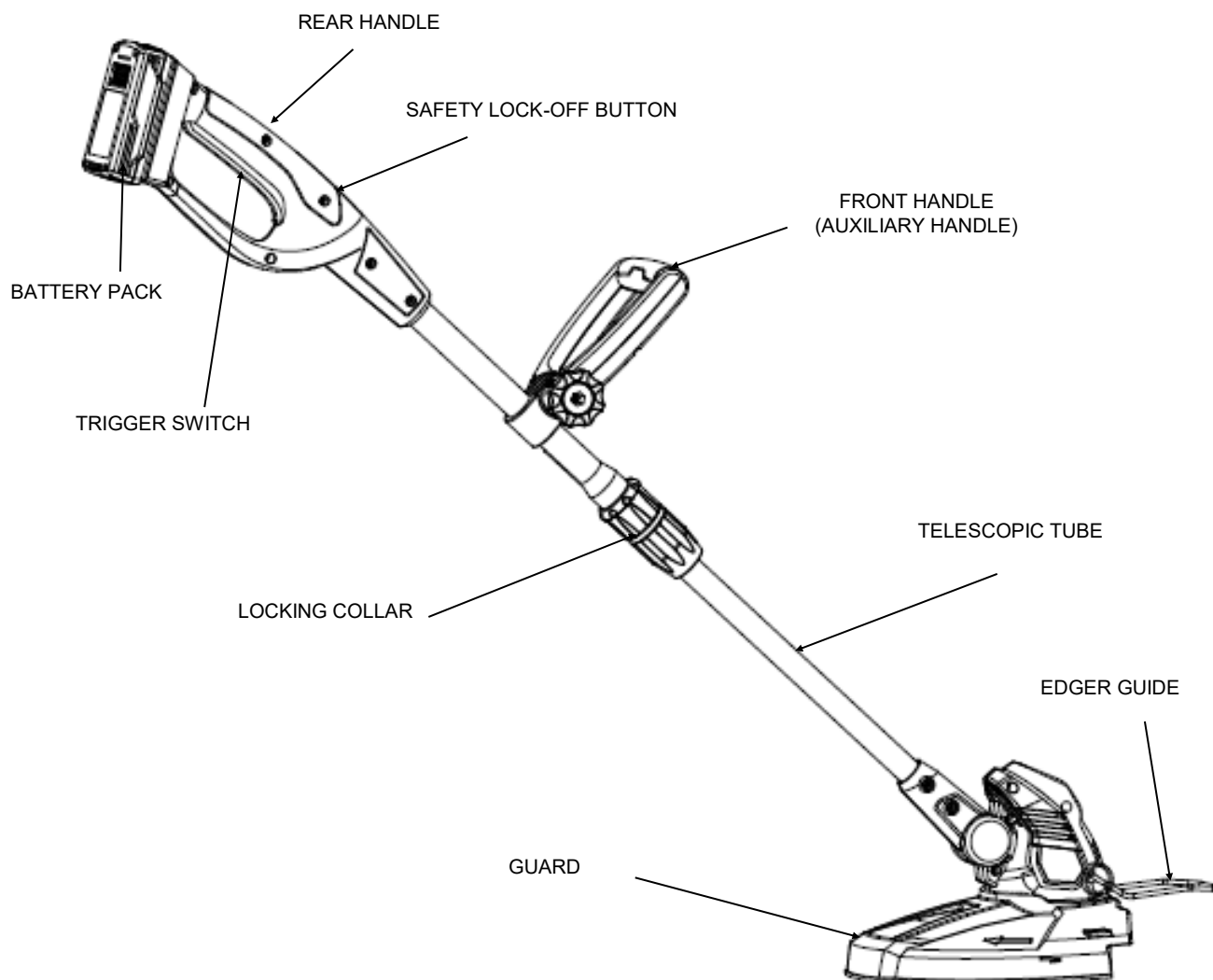
FEATURES

PRODUCT SPECIFICATIONS

LST02212MC

Input.....	20V, DC Only
Battery.....	20V 2.0 Ah Lithium-ion
Speed	8500 RPM (10")...7600RPM (12")
Cutting Width.....	10 or 12 in.
Weight	4.72 lb. (2.14kg)

0.065 Single Line - Automatic Feed - Edging Function - 3 Position Adjustable Head





OPERATOR'S MANUAL

CORDLESS 20 VOLT STRING TRIMMER LITHIUM-ION BATTERY PACK

WARRANTY POLICY

Two (2) year limited warranty on Earthwise 20 volt outdoor power equipment.

Earthwise warrants to the original owner that each new product and service part is free from defects in materials and workmanship and agrees to repair or replace any defective product or part for the warranty period as stated above from the original date of purchase except for the conditions and circumstances listed below:

This warranty applies only to the original purchaser at retail and may not be transferred.

Warranty applies if the product is used for personal, household or family use. Warranty is void if product is used for commercial, industrial or rental purposes.

Warranty does not include repairs necessary due to operator's abuse or negligence (including overloading the product beyond capacity or immersion in water), or the failure to assemble, operate, maintain or store the product according to the instructions in the operator's manual.

This warranty is not transferable and only applies to product sold directly from an authorized retailer. This warranty does not apply to any product, new or used, purchased through unauthorized third-party channels.

ANY INCIDENTAL, INDIRECT OR CONSEQUENTIAL LOSS, DAMAGE, OR EXPENSE THAT MAY RESULT FROM ANY DEFECT, FAILURE OR MALFUNCTION OF THE PRODUCT IS NOT COVERED BY THE WARRANTY. Some states do not allow the exclusion or limitation on how long an implied warranty lasts, so the above limitation may not apply to you.

Proof of purchase, original dated sales receipt, must accompany all warranty claims.

Products sold damaged or incomplete, sold "as is", or sold as reconditioned are not covered under the warranty.

Damage or liability caused by shipping, improper handling, improper assembly, incorrect voltage, improper wiring, improper maintenance, improper modification or the use of accessories and/or attachments not specifically recommended is not covered by this warranty.

Expendable items that become worn during normal use are not covered by the warranty.

Warranty does not cover damage caused by cold, heat, rain, excessive humidity, corrosive environments and materials, or other contaminants.

Warranty does not include installation, assembly or normal adjustments explained in the operator's manual.

The expense of delivering the product to the vendor and the expense of returning the product or replacement parts to the owner is not covered by the warranty.

The warranty does not cover normal deterioration of the exterior finish, including but not limited to scratches, dents, paint chips or any corrosion or discoloration caused by heat, abrasive and chemical cleaners.



The Great States Corporation
American Lawn Mower Company
830 Webster Street
Shelbyville, IN 46176
Phone 1-800-313-5111
www.earthwisetools.com

In a continued commitment to improve quality, the Manufacturer reserves the right to make component changes or design changes when necessary.