



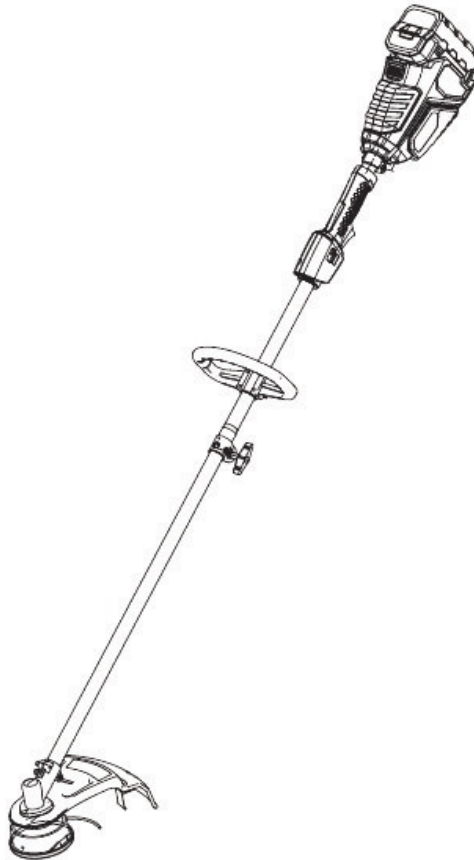
# OPERATOR'S MANUAL

## CORDLESS STRING TRIMMER 58 VOLT LITHIUM BRUSHLESS MOTOR

This product is covered by U.S. patents and other international patents

Copyright. All Rights Reserved.

LST05815



CA Compliant charger included, Model No. CHL80058

Your string trimmer has been engineered and manufactured to our high standard for dependability, ease of operation, and operator safety. Properly cared for, it will give you years of rugged, trouble-free performance.



**WARNING:** To reduce the risk of injury, the user must read and understand the operator's manual before using this product.

**BATTERY MUST BE CHARGED BEFORE FIRST USE.**

Thank you for your purchase.

**DO NOT RETURN THIS PRODUCT TO THE STORE. OPERATING, ASSEMBLY, PART, SERVICE QUESTIONS?  
Call 1-800-313-5111 BETWEEN 8:00AM-5:00PM EST FOR ASSISTANCE.**

---

**SAVE THIS MANUAL FOR FUTURE REFERENCE**

---

## ⚠ IMPORTANT SAFETY WARNINGS ⚠

### TO REDUCE RISK OF INJURY:

Before any use, be sure everyone using this tool reads and understands all safety instructions and other information contained in this manual.

- ⚠ **CAUTION:** Wear appropriate personal hearing protection during use. Under some conditions and duration of use, noise from this product may contribute to hearing loss.

Save these instructions and review frequently prior to use and in instructing others.

- ⚠ **WARNING:** When using electric gardening appliances, basic safety precautions should always be followed to reduce risk of fire, electric shock, and personal injury, including the following:

### READ ALL INSTRUCTIONS

## GENERAL SAFETY

**KEEP CHILDREN AWAY** - All visitors, children and pets should stay at a safe distance from the work area.

**DRESS PROPERLY** – Don't wear loose clothing or jewelry. Wear protective hair covering to contain long hair. They can be caught in moving parts. Use of rubber gloves and substantial footwear is recommended when working outdoors. Always wear long pants while operating this string trimmer.

**USE SAFETY GLASSES** –Wear safety glasses with side shields or goggles that are marked to comply with ANSI Z87.1 standard when operating this product. Use face or dust mask if operation is dusty.

**USE RIGHT APPLIANCE** – Do not use appliance for any job except that for which it is intended.

**REMOVE THE BATTERY FROM THE STRING TRIMMER** when not in use or when servicing or cleaning. Do not leave unattended.

**CHECK DAMAGED PARTS** – Before further use of the string trimmer, a guard or other part that is damaged should be carefully checked to determine that it will operate properly and perform its intended function. Check for alignment of moving parts, binding of moving parts, breakage of parts, mounting and any other condition that may affect its operation. A guard or other part that is damaged should be properly repaired or replaced. Call our customer service help line at 1-800-313-5111 for assistance.

**LIGHTING** - Only operate trimmer in daylight or good artificial light.

**DON'T OVERREACH** – Keep proper footing and balance at all times.

- ⚠ **WARNING:** Do Not use the string trimmer with any type of accessory or attachment. Such usage might be hazardous.

**AVOID DANGEROUS ENVIRONMENTS** – Don't use trimmer in rain, damp or wet locations. Do not operate trimmer in gaseous or explosive atmospheres. Motors in these tools normally spark, and the sparks might ignite fumes.

**AVOID UNINTENTIONAL STARTING** – Be sure switch trigger is in the locked or off position before inserting battery pack. Carrying tools with your finger on the switch trigger or inserting the battery pack into a tool with the switch on invites accidents.

- ⚠ **DANGER:** Risk of cut. Keep hands away from lines. Keep both hands on handles when power is on.
- ⚠ **DANGER:** Don't use tool if switch trigger does not turn it on or off. Call Customer Service for assistance.
- ⚠ **DANGER:** Do not dispose of the batteries in a fire. The cell may explode. Check with local codes for possible special disposal instructions.
- ⚠ **DANGER:** Do not open or mutilate the batteries. Released electrolyte is corrosive and may cause damage to the eyes or skin. It may be toxic if swallowed.

**DO NOT ATTEMPT** to remove cut material or hold material to be cut when lines are moving. Make sure trimmer switch is off when clearing jammed material from guard. Do not grasp the guard or lines when picking up or holding the trimmer.

- ⚠ **CAUTION:** Lines coast after turned off.

**DON'T FORCE STRING TRIMMER** – It will do the job better and with less likelihood of a risk of injury at the rate for which it was designed.

**STAY ALERT** – Watch what you are doing. Use common sense. Do not operate string trimmer when you are tired or under the influence of medications, drugs or alcohol.

**STORE IDLE STRING TRIMMER INDOORS** – When not in use, your string trimmer should be stored indoors in a dry and high or locked-up place, out of reach of children.

- ⚠ **WARNING:** Do not operate the equipment while barefoot or when wearing sandals or similar lightweight footwear. Wear protective footwear that will protect your feet and improve your footing on slippery surfaces.

- ⚠ **WARNING:** Use only identical manufacturer's replacement parts. Use of any other parts may create a hazard or cause product damage.

- ⚠ **WARNING:** Use only the manufacturer's replacement string in the cutting head when using a string trimmer attachment. Do not use any other cutting attachment, for example, metal wire, rope, or the like. To install any other brand of cutting head to the string trimmer attachment can result in serious personal injury.

**MAINTAIN TRIMMER WITH CARE** – Keep guard and handles clean for best performance and to reduce the risk of injury. Keep handles dry and free from oil and grease.

- ⚠ **WARNING:** California Proposition 65: This product contains chemicals known to the State of California to cause cancer, birth defects or other reproductive harm.

- ⚠ **WARNING:** Some dust created by this product could contain chemicals known to the State of California to cause cancer and birth defects or other reproductive harm. Some examples of these chemicals are:
- chemicals in fertilizers
  - compounds in insecticides, herbicides and pesticides
  - arsenic and chromium from chemically treated lumber
- Your risk from exposure to these chemicals varies, depending on how often you do this type of work. To reduce your exposure to these chemicals, wear approved safety equipment such as dust masks that are specially designed to filter out microscopic particles.

- ⚠ **CAUTION:** Use only the following type and size battery(ies): BL85820, BL85840.

- ⚠ **CAUTION:** Exercise care in handling batteries in order not to short the battery with conducting materials such as rings, bracelets, and keys. The battery or conductor may overheat and cause burns.

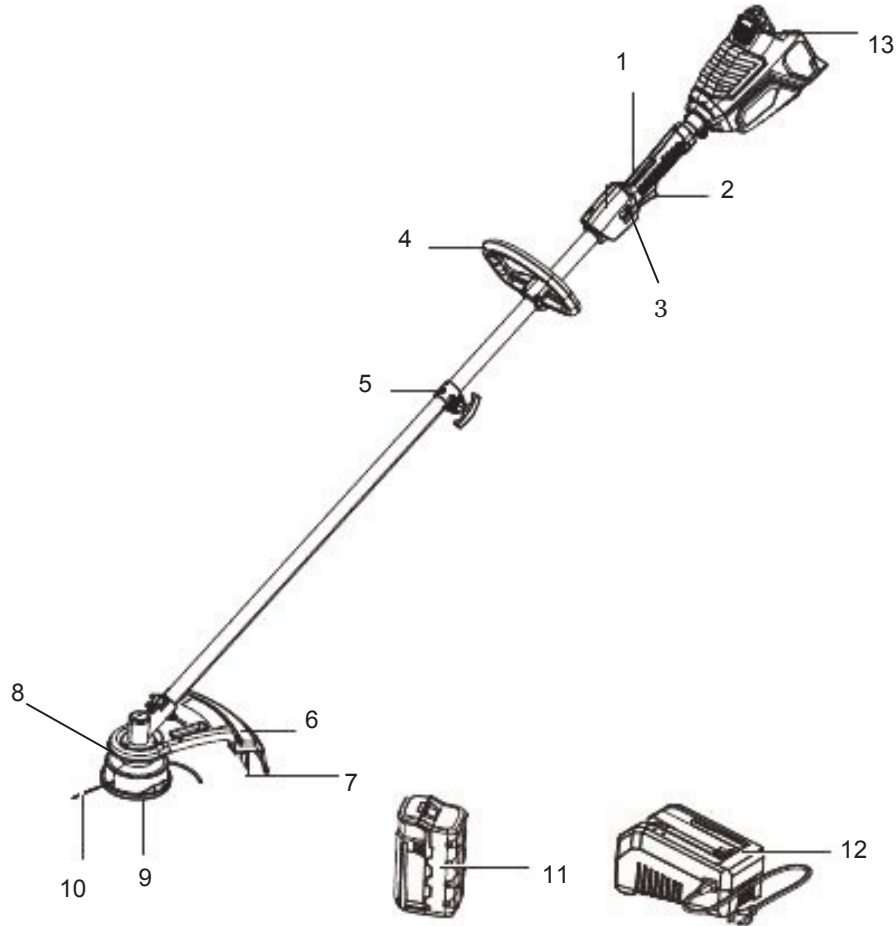
# FEATURES

## PRODUCT SPECIFICATIONS

**LST05815**

Input ..... 58V, DC only  
 Speed ..... 5100/6000 RPM  
 Cutting Width ..... 13 or 15 in.  
 Weight ..... w/ 2 Ah battery 11lbs, w/ 4Ah battery 12.6lb

.080 Dual Twisted Line - Bump Feed



| No. | Description        | No. | Description            |
|-----|--------------------|-----|------------------------|
| 1   | Lock out button    | 8   | Steel Spacer           |
| 2   | Switch trigger     | 9   | Spool knob             |
| 3   | Two Speed Button   | 10  | String                 |
| 4   | Auxiliary handle   | 11  | Battery                |
| 5   | Connection Assy.   | 12  | Charger                |
| 6   | Guard              | 13  | Battery release button |
| 7   | Line cutting blade |     |                        |





# ASSEMBLY

## UNPACKING

This product requires some assembly.

## PACKING LIST

- Power Head
- String Trimmer Attachment
- Safety Guard
- Charger and Battery Pack
- Spool Assembly
- Auxiliary Handle
- Hardware Bag, containing parts as below:

| Image   | Name         | Size        | Quantity |
|---|--------------|-------------|----------|
|  | Bolt         | M5.0*0.8*35 | 4 PCS    |
|  | Steel Spacer | N/A         | 1 PC     |
|  | Socket Screw | M5.0*0.8*12 | 3 PCS    |
|  | Wrench       | T25&+       | 1 PC     |

**WARNING:** Do not install battery until assembly is complete. Failure to comply could result in accidental starting and possible serious personal injury.

**WARNING:** If any parts are damaged or missing do not operate this product until the parts are replaced. Failure to heed this warning could result in serious personal injury.

Carefully remove the product and any accessories from the box. Make sure that all items listed in the packing list are included.

Inspect the product carefully to make sure no breakage or damage occurred during shipping.

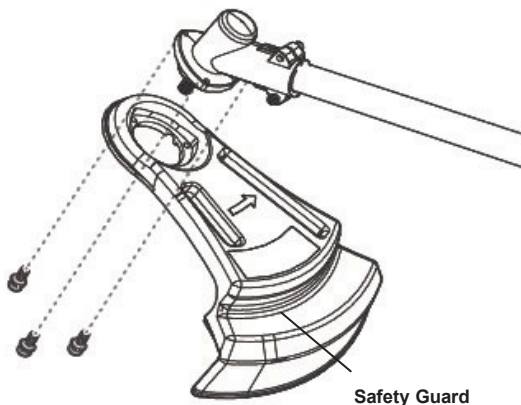
Do not discard the packing material until you have carefully inspected and satisfactorily operated the product.

If any parts are damaged or missing, please call 1-800-313-5111 for assistance.

## ATTACHING THE GUARD

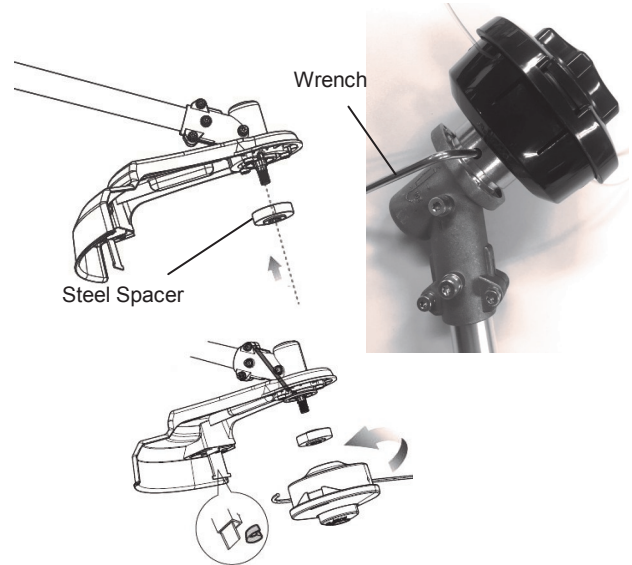
Assemble the guard as shown below by positioning it onto the trimmer attachment. Using a Phillips screw driver, secure the guard by installing three (3) screws into the die cast head. Remove blade cover.

**WARNING:** Do not operate the trimmer without the guard attached.



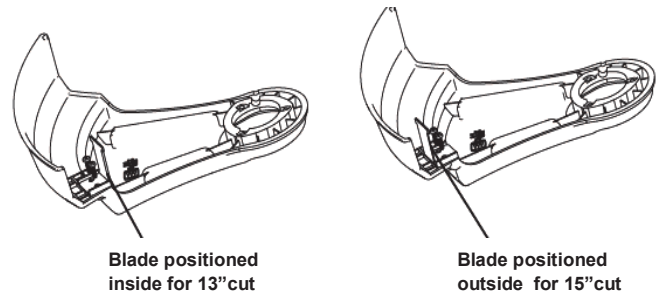
## INSTALLING THE STRING SPOOL

Ensure battery pack is removed. Place the steel spacer onto the cutting head shaft. Align the hole in the spacer with the notched area of the casting. Insert the wrench provided through the hole in the spacer and casting to secure the spacer while installing the spool. Twist the spool onto the bolt in a counter clockwise direction. Make sure the spool is firmly connected.



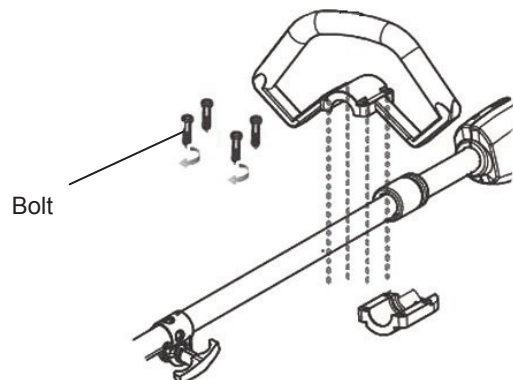
## CUTTING WIDTH ADJUSTMENT

Cutting width can be adjusted to 13" or 15" by positioning the line cutting blade as shown.



## ATTACHING THE AUXILIARY HANDLE

Install the auxiliary handle and bottom bracket around the shaft of the power head, at a comfortable distance from the switch trigger. Insert the four M5.0\*0.8\*35 bolts into each the four holes. Using the combo tool provided, tighten the bolts securely so the handle is stationary on the shaft.



## ASSEMBLY

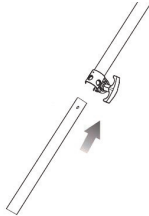
### INSTALLING STRING TRIMMER ATTACHMENT TO POWER HEAD

The attachment connects to the power head by means of a coupler device.

- Remove the battery pack.
- Loosen the wingnut on the coupler of the power head shaft.
- Pull the retaining pin located on the power head shaft and rotate 1/4 turn. Rotating allows the pin to lock out of the shaft even when released.
- Align the hole in the attachment shaft with the retaining pin on the power head shaft and slide the two shafts together.
- Rotate the retaining pin 1/4 turn to allow the pin to fully seat through the hole in the attachment shaft.

**NOTE:** If the pin does not release completely in the positioning hole, the shafts are not locked into place. Slightly rotate from side to side until the pin is locked into place.

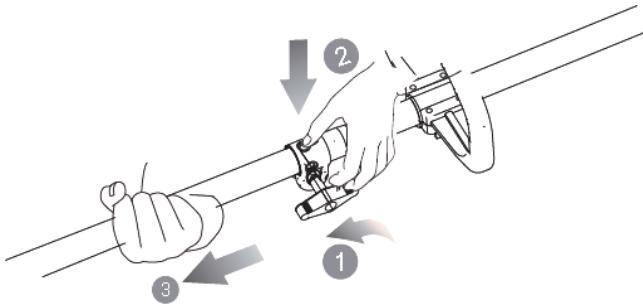
- Tighten the wingnut securely.



**WARNING:** Be certain the wingnut is fully tightened before operating equipment; check it periodically for tightness during use to avoid serious personal injury.

### Removing the Attachment From the Power Head

- Stop the motor and remove the battery pack.
- Loosen the wingnut.
- Pull the retaining pin and twist the shafts to remove and separate ends.



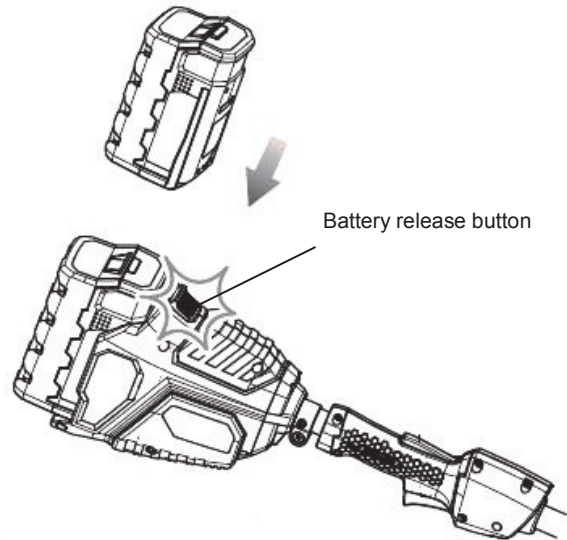
### INSTALLING/REMOVING BATTERY PACK

#### To install battery pack:

- Align grooves on battery pack with raised ribs in the tool's battery port and place the battery pack in the tool.
- WARNING:** Make sure the latch on the tool snaps in place and the battery pack is fully seated and secure in the battery port before beginning operation. Failure to securely seat the battery pack could cause the battery pack to fall out, resulting in serious personal injury.

#### To remove battery pack:

- Press the battery latch button on the tool and pull the battery pack out of the battery port.
- WARNING:** To avoid serious personal injury, always remove the battery pack and keep hands clear of the trigger lock-out when carrying or transporting the tool.



## OPERATING

### TO TURN THE TOOL ON

Select the desired operating speed (Hi or Low). Press and hold the trigger lock out button at the top of the front handle and squeeze the switch trigger with your fingers.

### TO TURN THE TOOL OFF

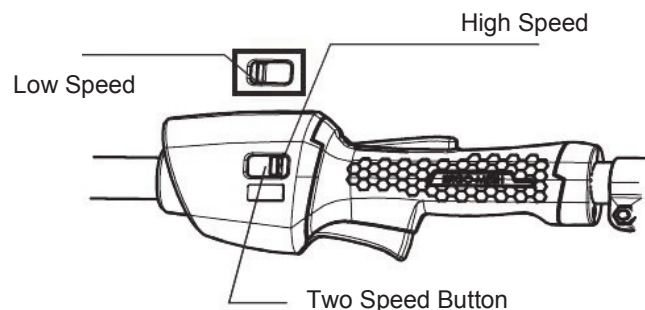
Release the switch trigger.

Before you start the unit, make sure the trimmer is not contacting any object.

**WARNING:** Stones, pieces of metal and other objects can be thrown out at high speed by the line. The unit and guard are designed to reduce the danger.

**WARNING:** To guard against injury, observe the following:  
Read instruction manual before using, save instruction manual.  
Keep hands away from lines.  
Keep hands on handles. Don't overreach.

If you strike or become entangled with a foreign object, stop tool immediately, check for damage and have any damage repaired before further operation is attempted. Do not operate with a broken hub or spool.



# OPERATING

## CUTTING INSTRUCTIONS

**⚠ CAUTION:** Lines coasts after turn off.  
Do not use under wet conditions.

**⚠ CAUTION:** Inspect area to be trimmed and remove any wire, cord, or string-like objects which could become entangled in the rotating line or spool. Be particularly careful to avoid any wire which might be bent outwardly into the path of the tool, such as barbs at the base of a chain link fence.

### OPERATING THE POWER HEAD

Hold the power head with your right hand on the rear handle and your left hand on the front handle. Keep a firm grip with both hands while in operation. Power head should be held at a comfortable position with the rear handle about hip height.

If debris becomes wrapped around the attachment, RELEASE THE SWITCH TRIGGER, remove the battery pack, and remove the debris.

### Proper Cutting Stance

Weight should be balanced with both feet on solid ground.

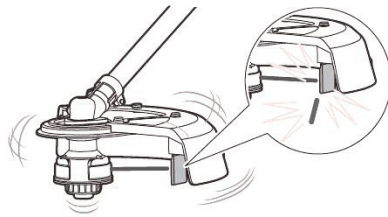
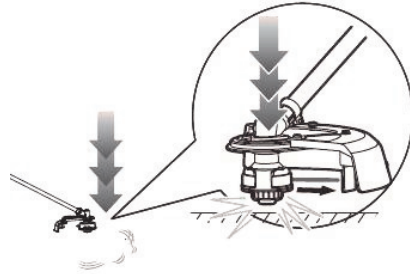
### Basic Cutting Procedure

Slowly swing trimmer side-to-side as shown.



### LINE FEEDING/ BUMP FEEDING

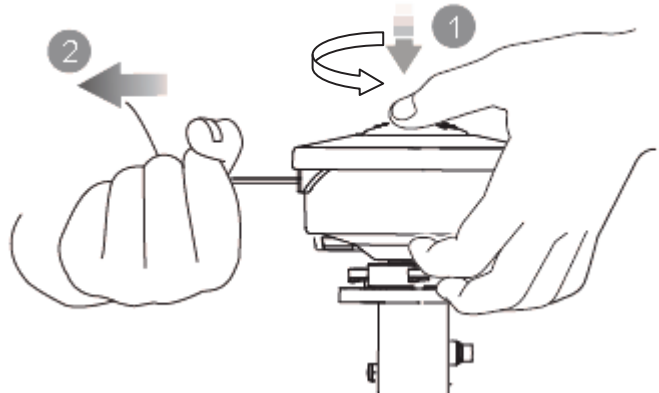
Your trimmer uses .080" diameter twisted nylon line to cut grass and weeds quickly and easily. In time, the tip of the nylon line will become worn. To release line, position cutting head parallel to the ground and bump the head 2 or 3 times on the ground when the trimmer is running. When enough line is released, you will hear the sound of the blade cutting the line. The cutting line will wear faster if the cutting is done along sidewalks or other abrasive surfaces or heavier weeds are being cut.



### MANUALLY EXTENDED LINE

If your trimmer line hits sharp or abrasive objects, such as stones, metal pieces, or concrete, the trimmer line can be cut too short to continue trimming. In this case, you can manually extend the line:

1. REMOVE THE BATTERY PACK.
2. Push the spool knob in and rotate in a counter clockwise direction. Pull the lines out after every quarter turn to achieve the proper length. (Note: Release only enough line to extend just beyond the blade. If too much line is released, the blade will be unable to cut it to the correct working length and it may become tangled on the rotating shaft.)
3. Install the battery pack.
4. Restart the trimmer and return to normal operation.



**⚠ WARNING:** Do not trim near electrical wires or buildings.

**⚠ WARNING:** Do not allow familiarity with this type of product to make you careless. Remember that a careless fraction of a second is sufficient to inflict serious injury.

Do not operate a string trimmer in a tree, on a ladder, or on a scaffold; this is extremely dangerous.

Wear non-slip gloves for maximum grip and protection.

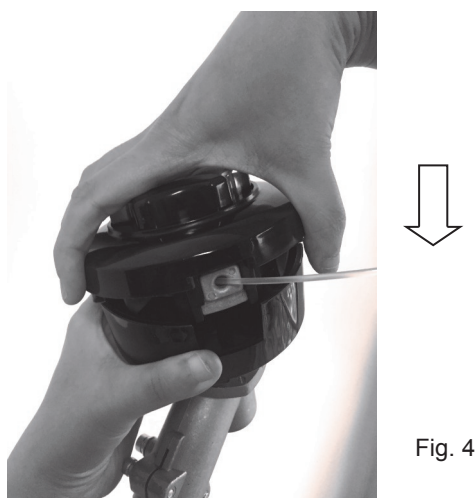
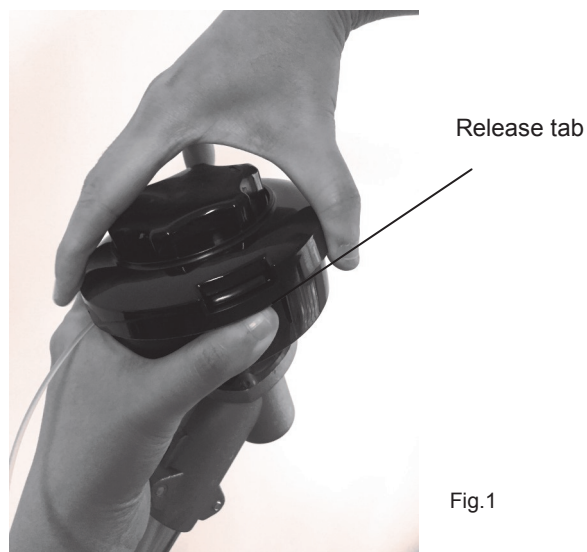
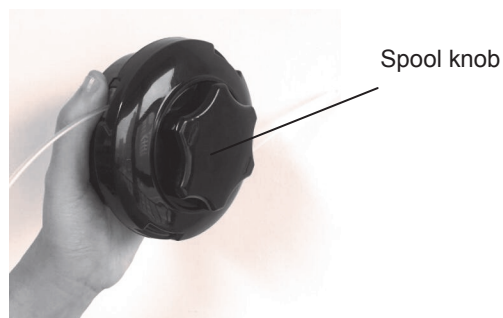
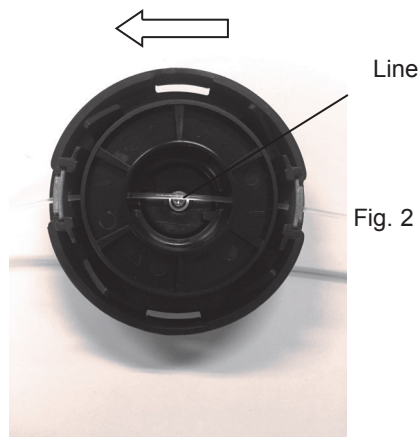
## OPERATING

### REWINDING SPOOL FROM BULK LINE

#### (USE ONLY .080" DIAMETER LINE)

Bulk line for your trimmer is available at extra cost from your local dealer. To install bulk line, follow these steps:

- Turn off the trimmer and remove the battery.
- Cut line to a length of 14.7 feet.
- Press the release tabs on the line spool cover as shown in Fig. 1, and remove the spool by pulling it straight off. Remove and discard all line on the spool.
- Rotate the spool knob so that the 2 holes in the spool hub are aligned with the holes in the 2 metal eyelets.
- Insert the line through all four holes. Pull the line until there is an equal length of the line on each side of the spool. (See Fig. 2)
- Turn the spool knob in a clockwise direction (see arrows on the top of the knob) until the line is wound to the proper cutting length. (See Fig. 3)
- Install the spool back into the spool cover making sure it is firmly locked in place. (See Fig. 4)



# CHARGING THE BATTERY PACK

## SEE CHARGER MANUAL FOR COMPLETE INSTRUCTIONS

Charge the battery pack only with the charger provided.

Allow at least 75 minutes of charge time before initial use of the string trimmer.

Make sure the power supply is normal household voltage, 120volts, 60Hz, AC only.

The battery charger should be operated in temperatures between 32 and 100 degrees F.

The battery should be charged in a cool, dry place.

2 to 3 initial charging/discharging cycles may be required to achieve maximum run time/capacity.

Do not attempt to open the charger or the unit. There are no customer serviceable parts inside. Call the customer service help line at 1-800-313-5111 for assistance.

DO NOT incinerate battery packs even if they are severely damaged or completely worn out. They can explode in a fire causing injury.

Use the battery charger indoors only.

Disconnect charger from the power supply when not in use to prevent damage to the charger during a power surge.

When fully charged, the battery can be safely stored in temperatures down to -4° degrees F for a period of up to

four weeks, before requiring charging.

Fully charge battery pack every 90 days.

If over a period of time the battery pack quickly runs down after a full 75 minutes charging period, a replacement battery pack is needed.

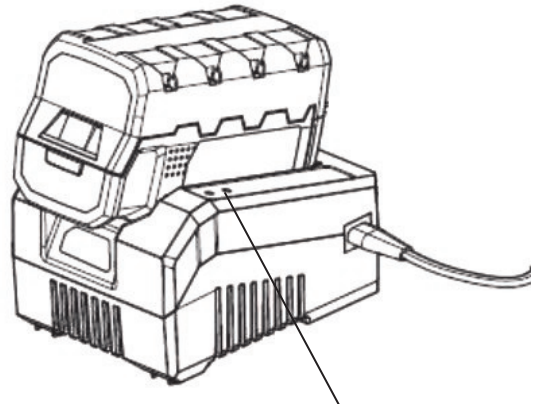
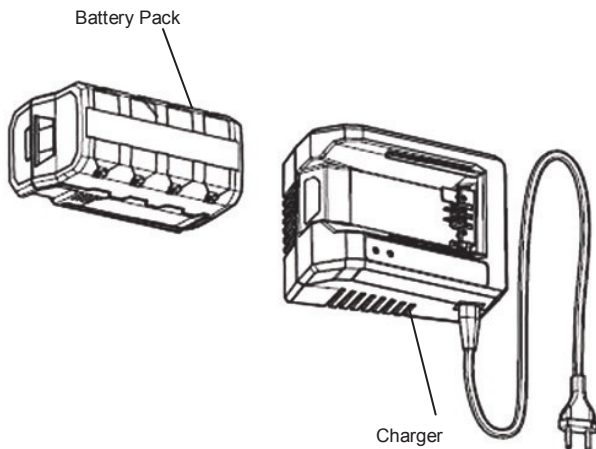
To prevent permanent damage to the battery, never store in a discharged condition.

**WINTER STORAGE**— Fully recharge before storage and then again every 90 days.

Since the battery will not develop a memory, it does not have to be fully discharged before recharging.

A small leakage of liquid from the battery cells may occur under extreme usage, charging or temperature conditions. This does not indicate a failure. However, if the outer seal is broken and this leakage gets on your skin.

- Wash quickly with soap and water.
- Neutralize with a mild acid such as lemon juice or vinegar.
- If the battery liquid gets in your eyes, flush them with clean water for a minimum of 10 minutes and seek immediate medical attention.



Constant Red + Flash Green = Battery is charging

Constant Red + Constant Green = Battery is fully charged.  
"99%" shows on LED screen when fully charged.

## BATTERY DISPOSAL

Remove the battery pack from the string trimmer. Cover the terminals with heavy duty adhesive tape. Do not attempt to destroy or disassemble battery pack or remove any components. This product contains lithium-ion batteries which must be recycled or disposed of properly. Local, state or federal laws may prohibit disposal of these batteries in ordinary trash.



The RBRC seal on the li-ion battery pack indicates that the costs to recycle the battery pack at the end of its useful life has already been paid by The Great States Corporation American Lawn Mower Company. It is illegal to place spent li-ion batteries in the local municipal solid waste or in the trash. RBRC in cooperation with The Great States Corporation American Lawn Mower Company has provided an environmentally friendly and easy way to recycle spent li-ion batteries. Just contact your local recycling center or call 1-800-8BATTERY for information on where to drop off the spent battery.



# MAINTENANCE

**⚠ CAUTION:** Do not at any time let brake fluids, gasoline, petroleum based products, penetrating oils, etc., come in contact with plastic parts. They contain chemicals that can damage, weaken or destroy plastic.

Make sure the battery is detached from the unit, then use only mild soap and a damp cloth to clean the tool. Never let any liquid get inside the tool; never immerse any part of the tool into a liquid.

Fertilizers and other garden chemicals contain agents which greatly accelerate the corrosion of metals Do not store the tool on or adjacent to fertilizers or chemicals.

**⚠ IMPORTANT:** To assure product SAFETY and RELIABILITY, repairs, maintenance and adjustment should be performed by a qualified individual using only identical replacement parts.

If you drop the trimmer, carefully inspect it for damage. If the guard is bent or cracked, handles broken or if you see any other condition that may affect the trimmer's operation, it must be repaired before putting it back into use. Call our customer service help line at 1-800-313-5111 for assistance.

## TROUBLESHOOTING

| Problem                  | Possible Cause  | Possible Solution   |
|--------------------------|---|---|
| -Unit does not Run       | -Battery not making contact<br>-Tripper switch not operational<br>-Battery not installed properly<br>-Battery not charged | -Check battery is fully inserted<br>-Check that lock off button is fully forward prior to moving trigger<br>-Check battery installation<br>-Check battery charging requirements   |
| -Line won't feed         | -Line tangled in spool  | -Unwrap 24" of line and re-wind   |
| -Line fails to cut off   | -Line cutter in guard is damaged or missing   | -Replace guard  |
| -Battery will not charge | -Battery not inserted into charger<br>-Charger not plugged in<br><br>-Surrounding air temperature too hot or too cold     | -Insert battery into charger until red LED appears<br>-Plug charger into a working outlet<br>-Check current at receptacle by plugging in a lamp or other appliance<br>-Check to see if receptacle is connected to a light switch which turns power off when you turn out the lights<br>-Move charger and tool to a surrounding air temperature of about 32 degree F (0 degree C) or below 100 degree F (+37.8 degree c) |

### CALL US FIRST !!

Call us first with questions about operating or maintaining your string trimmer at 1.800.313.5111 between **8:00AM-5:00PM** Eastern Standard Time, or send emails to [earthwise@reelin.com](mailto:earthwise@reelin.com).



## OPERATOR'S MANUAL

### CORDLESS STRING TRIMMER 58 VOLT LITHIUM

#### WARRANTY POLICY

**Five (5) year limited warranty on Earthwise 58 volt outdoor power equipment and two (2) year limited warranty on Earthwise 58 volt battery packs and chargers.**

**Earthwise** warrants to the original owner that each new product and service part is free from defects in materials and workmanship and agrees to repair or replace any defective product or part for the warranty period as stated above from the original date of purchase except for the conditions and circumstances listed below:

This warranty applies only to the original purchaser at retail and may not be transferred.

Warranty applies if the product is used for personal, household or family use. Warranty is void if product is used for commercial, industrial or rental purposes.

Warranty does not include repairs necessary due to operator's abuse or negligence (including overloading the product beyond capacity or immersion in water), or the failure to assemble, operate, maintain or store the product according to the instructions in the operator's manual.

This warranty is not transferable and only applies to product sold directly from an authorized retailer. This warranty does not apply to any product, new or used, purchased through unauthorized third-party channels.

ANY INCIDENTAL, INDIRECT OR CONSEQUENTIAL LOSS, DAMAGE, OR EXPENSE THAT MAY RESULT FROM ANY DEFECT, FAILURE OR MALFUNCTION OF THE PRODUCT IS NOT COVERED BY THE WARRANTY. Some states do not allow the exclusion or limitation on how long an implied warranty lasts, so the above limitation may not apply to you.

Products sold damaged or incomplete, sold "as is", or sold as reconditioned are not covered under the warranty.

Damage or liability caused by shipping, improper handling, improper assembly, incorrect voltage, improper wiring, improper maintenance, improper modification or the use of accessories and/or attachments not specifically recommended is not covered by this warranty.

Expendable items that become worn during normal use are not covered by the warranty.

Warranty does not cover damage caused by cold, heat, rain, excessive humidity, corrosive environments and materials, or other contaminants.

Warranty does not include installation, assembly or normal adjustments explained in the operator's manual.

The expense of delivering the product to the vendor and the expense of returning the product or replacement parts to the owner is not covered by the warranty.

The warranty does not cover normal deterioration of the exterior finish, including but not limited to scratches, dents, paint chips or any corrosion or discoloration caused by heat, abrasive and chemical cleaners.

**Proof of purchase, original dated sales receipt, must accompany all warranty claims.**



The Great States Corporation  
American Lawn Mower Company  
830 Webster Street  
Shelbyville, IN 46176  
Phone 1-800-313-5111  
[www.earthwisetools.com](http://www.earthwisetools.com)

In a continued commitment to improve quality, the Manufacturer reserves the right to make component changes or design changes when necessary.



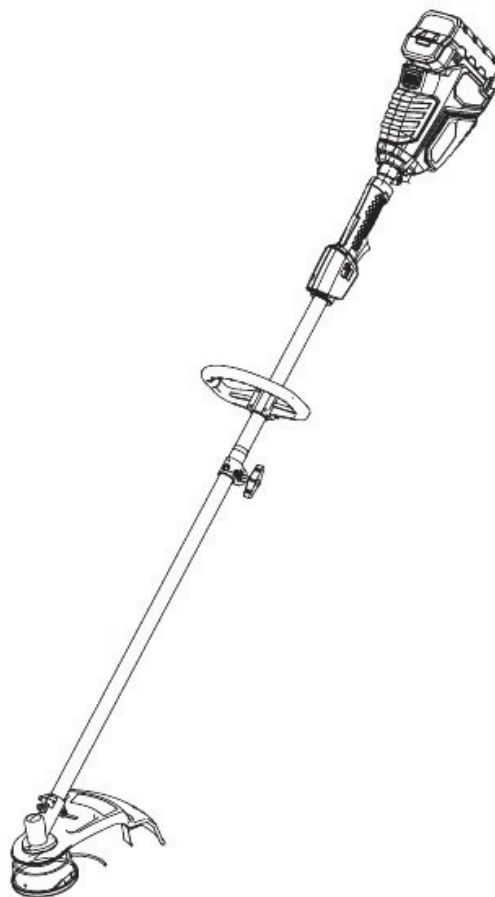
# MANUAL DEL OPERARIO

## DESBROZADORA A BATERÍA DE LITIO DE 58 VOLTIOS

### MOTOR SIN ESCOBILLAS

Este producto está amparado por patentes de EE. UU. y otras patentes internacionales.  
Copyright. Todos los derechos reservados.

LST05815



Cargador apto para CA, Modelo N.º CHL80058.

Su desbrozadora fue diseñada y fabricada de acuerdo con nuestros altos estándares de confiabilidad, facilidad de operación y seguridad para el operario. Si se la trata con cuidado, le otorgará años de óptimo rendimiento y resistencia.



**ADVERTENCIA:** para reducir el riesgo de sufrir alguna lesión, el usuario debe leer y comprender el manual del operario antes de usar este producto.

**DEBE CARGAR LA BATERÍA ANTES DE UTILIZARLA POR PRIMERA VEZ.**

Muchas gracias por su compra.

NO DEVUELVA ESTE PRODUCTO A LA TIENDA. ¿TIENE PREGUNTAS SOBRE EL FUNCIONAMIENTO, EL MONTAJE, LAS PIEZAS O EL MANTENIMIENTO? Llame al 1-800-313-5111 ENTRE LAS 8:00 Y LAS 17:00 H, HORA ESTÁNDAR DEL ESTE, PARA OBTENER ASISTENCIA.

**GUARDE ESTE MANUAL PARA CONSULTAS FUTURAS**

## ⚠️ ADVERTENCIAS DE SEGURIDAD IMPORTANTES ⚠️

### PARA REDUCIR EL RIESGO DE LESIONES:

Antes de poner en uso la herramienta, asegúrese de que todos los usuarios lean y comprendan las instrucciones de seguridad y la demás información incluida en este manual.

- ⚠️ **PRECAUCIÓN:** use protección auditiva apropiada mientras trabaja. En ciertas condiciones y con cierta duración de uso, el ruido generado por este producto puede contribuir a la pérdida de la audición.

Guarde estas instrucciones y revíselas con frecuencia antes de usar la herramienta y capacitar a otros.

- ⚠️ **ADVERTENCIA:** al utilizar aparatos eléctricos para el jardín, se deben respetar siempre las precauciones de seguridad básicas que se detallan a continuación, a fin de reducir riesgos de incendios, descargas eléctricas y lesiones personales.

### LEA TODAS LAS INSTRUCCIONES

## NORMAS GENERALES DE SEGURIDAD

**MANTENGA ALEJADOS A LOS NIÑOS.** Todos los visitantes, niños y mascotas deben mantenerse a una distancia segura de la zona de trabajo.

**USE ROPA ADECUADA.** No use prendas sueltas ni artículos de joyería. Use protección para cubrir y contener el cabello largo, ya que puede quedar atrapado en las piezas móviles. Se recomienda usar guantes de goma y calzado resistente cuando se trabaja al aire libre. Use siempre pantalones largos mientras opera esta desbrozadora.

**USE GAFAS DE SEGURIDAD.** Al trabajar con este producto, use gafas de seguridad con protectores laterales que cumplan con la norma ANSI Z87.1. Si la operación genera polvo, protéjase el rostro con una mascarilla antipolvo.

**USE LA HERRAMIENTA EN FORMA CORRECTA.** No utilice esta herramienta en trabajos para los que no esté indicada.

**EXTRAIGA LA BATERÍA DE LA DESBROZADORA** cuando no esté en uso o durante el mantenimiento o la limpieza. Manténgala bajo vigilancia constante.

**VERIFIQUE LAS PIEZAS DAÑADAS.** Antes de seguir usando la desbrozadora, se deberán revisar los protectores u otras piezas dañadas en forma exhaustiva para determinar si la herramienta funcionará correctamente y realizará el trabajo previsto. Verifique la alineación y las uniones de las piezas móviles, el montaje, las averías y otros factores que puedan afectar el funcionamiento. Un protector o cualquier otra pieza dañada deben ser reemplazados o reparados en forma adecuada. Comuníquese con nuestra línea de ayuda de atención al cliente al 1-800-313-5111 para recibir asistencia.

**ILUMINACIÓN.** Trabaje sólo con luz natural o buena luz artificial.

**NO ADOPTÉ UNA POSTURA INCÓMODA.** Mantenga una base y equilibrio apropiados en todo momento.

- ⚠️ **ADVERTENCIA:** no aplique ninguna clase de accesorio o dispositivo de sujeción a la desbrozadora. Dicha práctica podría resultar peligrosa.

**EVITE AMBIENTES PELIGROSOS.** No utilice esta herramienta en la lluvia ni en lugares húmedos o mojados. Tampoco trabaje en entornos donde existan gases o sustancias explosivas. Por lo general, los motores de estas herramientas producen chispas que podrían inflamar los gases.

**EVITE EL ENCENDIDO ACCIDENTAL.** Asegúrese de que el interruptor esté en la posición de aseguramiento o de apagado antes de instalar el paquete de baterías. Llevar las herramientas con el dedo en el interruptor o instalar el paquete de baterías en la herramienta con el interruptor puesto es causa común de accidentes.

- ⚠️ **PELIGRO:** riesgo de corte. Mantenga las manos alejadas de los hilos. Mantenga ambas manos en los mangos mientras la herramienta está encendida.

- ⚠️ **PELIGRO:** No utilice la herramienta si el interruptor no enciende o no apaga. Comuníquese con nuestra línea de ayuda de atención al cliente al 1-800-313-5111 para recibir

- ⚠️ **PELIGRO:** No deseche las baterías en el fuego. Las baterías pueden estallar. Verifique los códigos de la localidad para conocer posibles instrucciones especiales para desecharlas.

- ⚠️ **PELIGRO:** No desarme el paquete de baterías. El electrolito emitido es corrosivo y puede causar daños en los ojos y en la piel. Puede ser tóxico si se ingiere.

**NO INTENTE** extraer el material cortado ni sostener el material que desea cortar mientras los hilos están en movimiento. Asegúrese de

que el interruptor esté en posición de apagado para luego retirar el material atascado en el protector. No tome la desbrozadora por los hilos al tratar de levantar o sostener la herramienta.

- ⚠️ **PRECAUCIÓN:** los hilos se mueven por inercia después de apagar el motor.

**NO FUERCE LA DESBROZADORA.** Realizará mejor el trabajo con menor probabilidad de lesiones si maneja la desbrozadora a la velocidad para la que fue diseñada.

**PONGA ATENCIÓN.** Observe lo que está haciendo. Use el sentido común. No opere la desbrozadora si está cansado o bajo la influencia de medicamentos, drogas o alcohol.

**GUARDE LA DESBROZADORA BAJO TECHO.** Cuando no esté en uso, la desbrozadora se deberá guardar en un lugar cerrado, seco y elevado y fuera del alcance de los niños.

- ⚠️ **ADVERTENCIA:** No accione el equipo cuando esté descalzo o al llevar puestas sandalias o calzado liviano similar. Use calzado de seguridad que le proteja sus pies y mejore su postura en superficies resbaladizas.

- ⚠️ **ADVERTENCIA:** Sólo utilice piezas de repuesto idénticas y accesorios del fabricante original. El empleo de piezas diferentes puede causar un peligro o dañar el producto.

- ⚠️ **ADVERTENCIA:** En el cabezal de corte use únicamente hilo de repuesto del fabricante original si está usando un accesorio para recortar de eje. No use ningún otro aditamento de corte, por ejemplo, cable metálico, cuerda o producto similar. Instalar cualquier otra marca de hilo de corte en esta recortadora de hilo puede producir lesiones corporales serias.

**MANTENGA LA HERRAMIENTA EN CONDICIONES.** El protector y los mangos deben estar limpios para lograr un óptimo funcionamiento y reducir el riesgo de lesiones. Mantenga los mangos secos y libres de grasa y aceite.

- ⚠️ **ADVERTENCIA:** disposición 65 del estado de California: Este producto contiene químicos reconocidos por el Estado de California como causantes de cáncer, defectos de nacimiento u otros efectos nocivos para el aparato reproductor.

- ⚠️ **ADVERTENCIA:** parte del polvo generado por este producto podría contener químicos reconocidos por el Estado de California como causantes de cáncer y defectos de nacimiento u otros efectos nocivos para el aparato reproductor. Algunos ejemplos de estos productos químicos son:

-químicos presentes en fertilizantes  
-compuestos presentes en insecticidas, herbicidas

y pesticidas

--arsénico y cromo de maderas tratadas

químicamente

El riesgo que usted corre al exponerse a estos químicos varía según la frecuencia con la que realiza este tipo de trabajo. Para reducir la exposición a estos químicos, use equipo de protección aprobado, como mascarillas antipolvo que están especialmente elaboradas para eliminar partículas microscópicas mediante un proceso de filtrado.

- ⚠️ **PRECAUCIÓN:** Utilice únicamente el siguiente tipo y tamaño de la batería (IE es): BL85820, BL85840.

- ⚠️ **PRECAUCIÓN:** Tenga cuidado cuando maneje baterías a fin de no realizar un cortocircuito en la batería con materiales conductores como anillos, brazaletes y llaves. La batería o el conductor pueden recalentarse y provocar quemaduras.

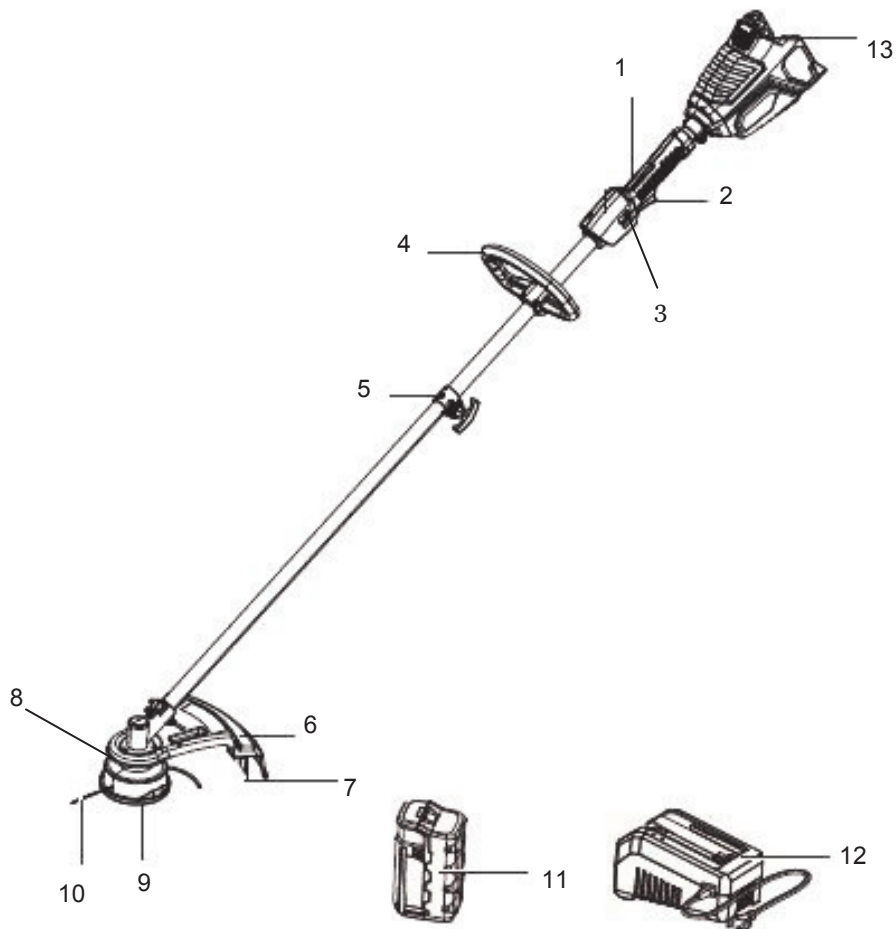
# CARACTERÍSTICAS

## ESPECIFICACIONES DEL PRODUCTO

**LST05815**

Entrada ..... 58 V, CC solamente only  
 Velocidad ..... 5100/6000RPM  
 Ancho de corte ..... 33,0 o 38,1 cm (13 o 15 pulg.)  
 Peso ..... 2Ah 5,0 kg (11 libras), 4Ah 5,7 kg (12.6 libras)

Hilo trenzado dual de 080" - Alimentación por golpe



| N.º | Descripción                   | N.º | Descripción                       |
|-----|-------------------------------|-----|-----------------------------------|
| 1   | Botón de bloqueo de seguridad | 8   | Espaciador de acero               |
| 2   | Interruptor de Gatillo        | 9   | Perilla del carrete               |
| 3   | Botón de dos velocidades      | 10  | Cuerda                            |
| 4   | Mango auxiliar                | 11  | Batería                           |
| 5   | Fijador de bloqueo            | 12  | Cargador                          |
| 6   | Protector de seguridad        | 13  | Botón de liberación de la batería |
| 7   | Cuchilla para cortar el hilo  |     |                                   |





# MONTAJE

## DESEMBALAJE

Este producto requiere algunas operaciones de montaje.

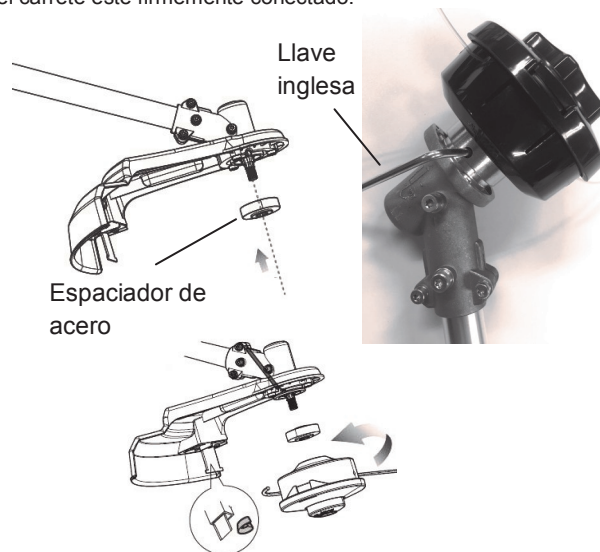
## LISTA DE EMBALAJE

- Cabezal motor
- Accesorio de desbrozadora
- Protector de seguridad
- Cargador y paquete de baterías
- Montaje del carrete
- Mango auxiliar
- Bolsa, contiene las siguientes piezas:

| Imagen  | Nombre              | Tamaño      | Cantidad |
|---|---------------------|-------------|----------|
|  | Tornillo            | M5.0*0.8*35 | 4 PCS    |
|  | Espaciador de acero | N/A         | 1 PC     |
|  | Tornillo Allen      | M5.0*0.8*12 | 3 PCS    |
|  | Llave inglesa       | T25&+       | 1 PC     |

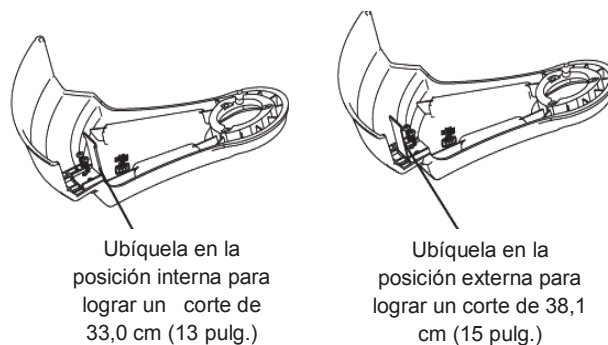
## INSTALACIÓN DEL CARRETE DE HILO

Cerórese de retirar el paquete de baterías. Coloque el espaciador de acero sobre el eje del cabezal de corte. Alinee el orificio en el espaciador con el área de la muesca del molde fundido. Inserte la llave suministrada a través del orificio en el espaciador y el molde fundido para asegurar el espaciador mientras instala el carrete. Gire el carrete sobre el perno en sentido contrario a las agujas del reloj. Asegúrese de que el carrete esté firmemente conectado.



## AJUSTE DEL ANCHO DE CORTE

El ancho de corte puede ajustarse a 33,0 o 38,1 cm (13 o 15 pulg.) ubicando la cuchilla del hilo como se muestra.



**⚠ ADVERTENCIA:** no instale la batería hasta haber completado el montaje. De lo contrario, la máquina podría arrancar accidentalmente y provocar lesiones personales de gravedad.

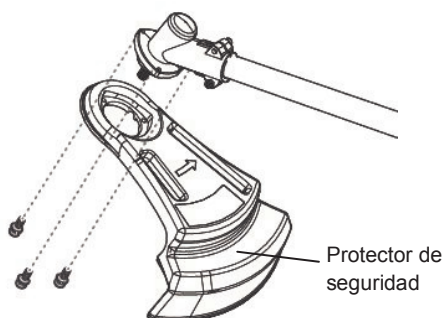
**⚠ ADVERTENCIA:** si alguna pieza falta o está dañada, no utilice este producto hasta reponer la pieza en cuestión. De lo contrario, podría sufrir lesiones corporales serias.

Extraiga el producto y los accesorios de la caja con cuidado. Asegúrese de que estén incluidos todos los elementos detallados en la lista de embalaje. Inspeccione el producto detenidamente para corroborar que no existan roturas ni averías ocurridas durante el envío. No deseche el material de embalaje hasta haber inspeccionado exhaustivamente el producto y comprobado que funciona en forma satisfactoria. Si alguna pieza falta o está dañada, llame al 1-800-313-5111 para obtener asistencia.

## COLOCACIÓN DEL PROTECTOR

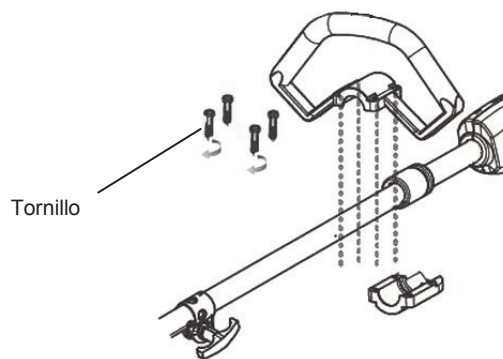
Arme el protector como se muestra a continuación, colocándolo sobre el accesorio de la desbrozadora. Con un destornillador Phillips, asegure el protector instalando tres (3) tornillos en el cabezal de molde fundido. Retire el protector de la cuchilla.

**⚠ ADVERTENCIA:** no utilice la desbrozadora si el protector no está colocado.



## COLOCACIÓN DEL MANGO AUXILIAR

Instale el mango auxiliar y el soporte inferior alrededor del eje del cabezal de potencia, a una distancia cómoda del interruptor del gatillo. Inserte los pernos M5.0\*0.8\*35 en cada uno de los cuatro orificios. Con la herramienta combinada, ajuste los pernos con firmeza de manera que el mango quede fijo en el eje.



## MONTAJE

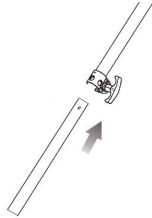
### INSTALACIÓN DEL ACCESORIO DE DESBROZADORA EN EL CABEZAL DE POTENCIA

El aditamento se conecta al cabezal motor mediante un dispositivo acoplador.

- Retire la batería.
- Afloje la tuerca mariposa en el acoplador del eje del cabezal de potencia.
- Tire del pasador de retención ubicado en el eje del cabezal motor y rótelos un 1/4 de vuelta. Esta rotación le permite al pasador desbloquearse del eje aun cuando esté liberado.
- Alinee el orificio del eje del accesorio con el pasador de retención del eje del cabezal motor y deslice ambos ejes juntos.
- Rote el pasador de retención un 1/4 de vuelta para que el pasador esté completamente asentado en el orificio del eje del accesorio.

**NOTA:** Si el pasador no se libera completamente en el orificio de posicionamiento, los ejes no están asegurados en su lugar. Rote ligeramente de un lado al otro hasta que el pasador esté asegurado en su lugar.

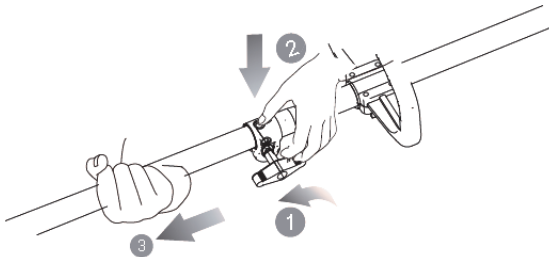
- Apriete firmemente la perilla.



- ⚠ **ADVERTENCIA:** Asegúrese de que esté bien apretada la perilla antes de utilizar el equipo. Verifique periódicamente el apriete de la misma durante el uso para evitar lesiones serias.

### DESMONTAJE DEL ACCESORIO DEL CABEZAL MOTOR

- Apague el motor y retire el paquete de baterías.
- Afloje la perilla.
- Tire del pasador de retención y gire los ejes para quitar y separar los extremos.



### INSTALACIÓN / EXTRACCIÓN DE LA BATERÍA

Para instalar el paquete de baterías:

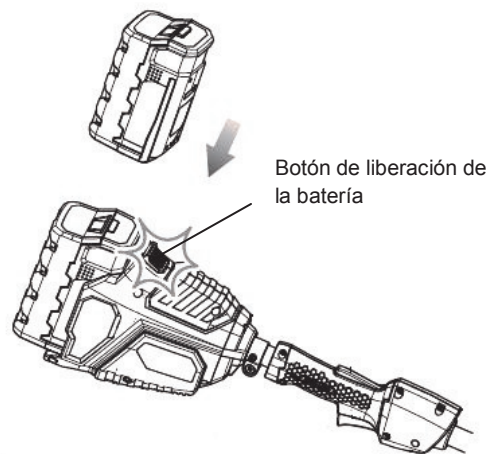
- Alinee la ranura exterior del paquete de baterías con la costilla realzada interior del receptáculo para pilas de la herramienta y coloque el paquete de baterías en la herramienta.

- ⚠ **ADVERTENCIA:** Retire siempre el paquete de baterías de la herramienta antes de instalar las piezas, realizar ajustes, limpiarla o cuando no la utilice. Retirar el paquete de baterías evitará que la unidad se accione accidentalmente y provoque lesiones graves.

Para retirar el paquete de baterías:

- Presione el botón del pestillo de la batería en la herramienta y tire del paquete de baterías hacia fuera mediante el mango.

- ⚠ **ADVERTENCIA:** Asegúrese de que el pestillo de la herramienta esté adecuadamente en su lugar y que el paquete de baterías esté bien colocado y asegurado en el puerto de batería de la herramienta antes de que encenderla. No asentar el paquete de baterías correctamente podría provocar que el paquete de baterías se caiga y cause lesiones personales graves.



## FUNCIONAMIENTO

### ENCENDIDO DE LA HERRAMIENTA

Seleccione la velocidad de funcionamiento deseada (alta o baja). Mantenga presionado el botón de bloqueo del gatillo en la parte superior del mango delantero y apriete el interruptor de gatillo con sus dedos.

### PARA APAGAR LA HERRAMIENTA

Suelte el interruptor de gatillo.

Antes de encender la unidad, asegúrese de que no esté en contacto con ningún objeto.

- ⚠ **ADVERTENCIA:** el hilo puede lanzar piedras, trozos de metal y otros objetos a gran velocidad. La unidad y el protector están diseñados para reducir este peligro.

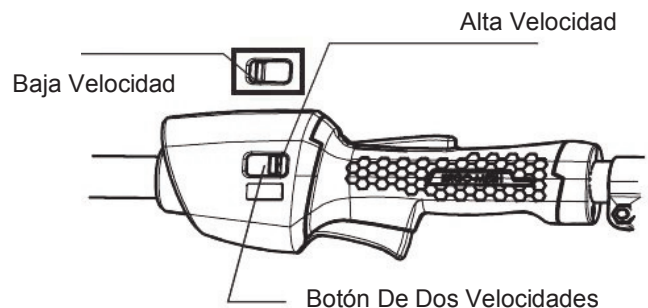
- ⚠ **ADVERTENCIA:** para prevenir lesiones personales, tenga en cuenta las siguientes recomendaciones:

Lea el manual de instrucciones antes de usar el producto y guárdelo para consultas futuras.

Mantenga las manos alejadas de los hilos.

Sostenga la herramienta con ambas manos en los mangos. No adopte una postura incómoda.

Si la herramienta se golpea o se enreda con algún objeto extraño, deténgala de inmediato y verifique si hay daños; en ese caso, hágala reparar antes de usarla nuevamente. No utilice la desbrozadora si el eje o el carrete están rotos.



# FUNCIONAMIENTO

## INSTRUCCIONES DE CORTE

- ⚠ **PRECAUCIÓN:** los hilos se mueven por inercia después de apagar el motor.  
No trabaje en condiciones de humedad.
- ⚠ **PRECAUCIÓN:** inspeccione el área de trabajo y elimine alambres, cables, u objetos similares que pudieran enredarse en el hilo giratorio o en el carrete. Sea particularmente cuidadoso con los alambres que puedan proyectarse hacia afuera e interponerse en el recorrido de la herramienta; por ejemplo, púas en la base de una cerca de alambre.

### MANEJO DE LA CABEZAL MOTOR

Sujete el cabezal motor con la mano derecha en el mango trasero y coloque la mano izquierda en el mango delantero. Sujete firmemente la unidad con ambas manos durante la operación. Se recomienda sujetar el cabezal motor en una posición cómoda, con el mango trasero a la altura de la cadera.

Si se acumulan residuos en el accesorio, SUELTE EL GATILLO DEL INTERRUPTOR, retire el paquete de baterías y quite los residuos.

### Posición de corte correcta

El peso debe estar equilibrado, con ambos pies apoyados en suelo firme.

### Procedimiento básico de corte

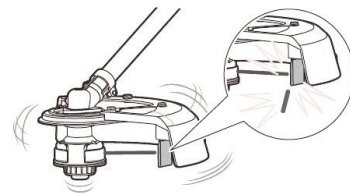
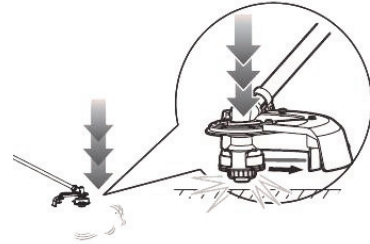
Desplace la desbrozadora de lado a lado lentamente como se muestra en la ilustración.



- ⚠ **ADVERTENCIA:** no corte cerca de cableados eléctricos ni de edificaciones.
- ⚠ **ADVERTENCIA:** no permita que la familiaridad con este tipo de productos termine en negligencia. Recuerde que un segundo de descuido es suficiente para provocar una lesión seria. No opere la desbrozadora en un árbol, en una escalera ni en un andamio; esto es sumamente peligroso. Use guantes antideslizantes para lograr un máximo agarre y una protección adecuada.

### AVANCE DEL HILO/ ALIMENTACIÓN POR GOLPE

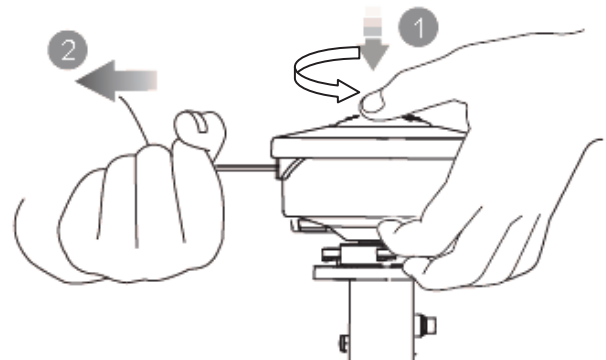
Su desbrozadora usa un hilo de nylon trenzado de 0.80" para cortar el césped y las malezas de manera rápida y sencilla. Con el tiempo, la punta del hilo de nylon se gasta. Para liberar el hilo, coloque el cabezal de corte paralelo al suelo. Golpee el cabezal 2 o 3 veces en el piso cuando la desbrozadora está funcionando. Una vez que haya liberado suficiente hilo, escuchará el sonido de la cuchilla que corta el hilo. El hilo de corte se desgasta con mayor rapidez si el corte se realiza a lo largo de las aceras u otras superficies abrasivas o si se cortan malezas más densas.



### HILO EXTENDIDO MANUALMENTE

Si el hilo de la desbrozadora golpea objetos filosos o abrasivos, como piedras, piezas de metal o concreto, podría cortarse y quedar demasiado chico como para poder seguir cortando. En este caso, puede extender manualmente el hilo:

- quite el paquete de baterías
- Presione la perilla del carrete y rótele en sentido contrario a las agujas del reloj. Tire del hilo después de cada cuatro vueltas hasta alcanzar la longitud deseada. (Nota: Libere solamente la cantidad de hilo suficiente para extenderlo justo pasando la hoja. Si libera demasiado hilo, la hoja no podrá cortarlo con el largo correcto para su funcionamiento y podría enredarse en el eje giratorio.)
- Instale el paquete de baterías.
- Vuelva a encender la desbrozadora y vuelva a utilizarlo normalmente.





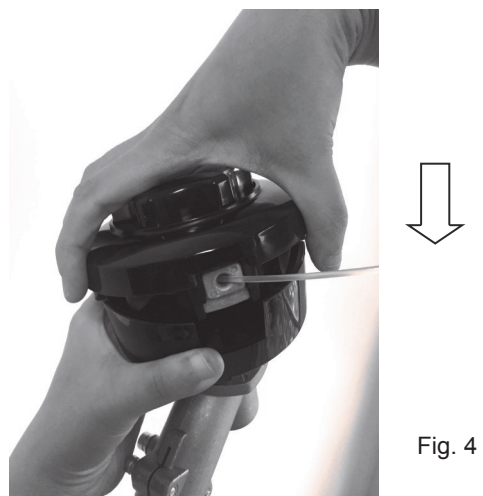
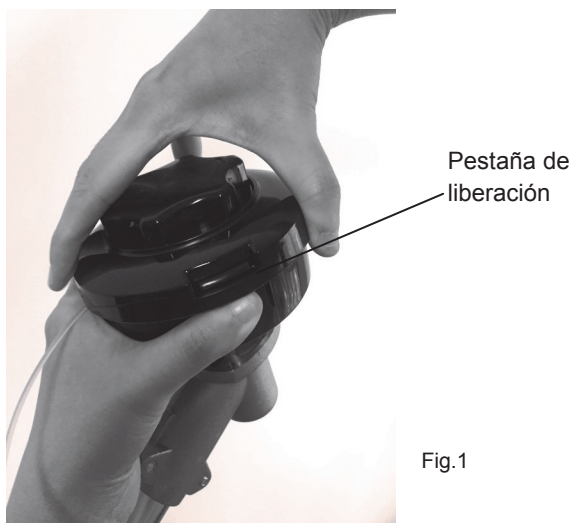
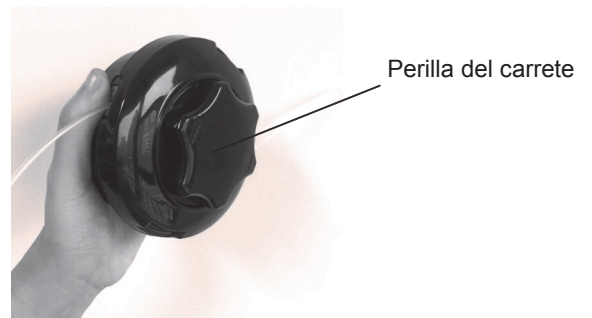
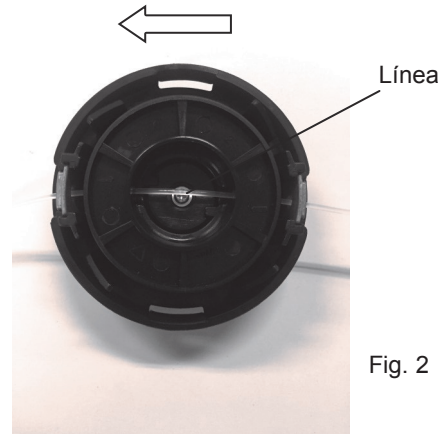
## FUNCIONAMIENTO

### REBOBINADO DEL HILO A GRANDEL EN EL CARRETE (USE SÓLO HILO DE 2,00 MM [0,080 PULG.] DE DIÁMETRO)

El distribuidor o centro de servicio local ofrece hilo a granel para su desbrozadora/bordeadora con un costo adicional.

Para instalarlo, siga estos pasos:

- Apague la desbrozadora y extraiga la batería.
- Corte el hilo a una longitud de 4,5 m (14,7 pies).
- Presione las lengüetas de desbloqueo del carrete de hilo tal como se muestra en la Fig 1, y tire del carrete para retirarlo. Retire y deseche todo el hilo del carrete.
- Rote la perilla del carrete de manera que los dos orificios del eje del carrete estén alineados con los orificios de los 2 ojales de metal.
- Inserte el hilo a través de los cuatro orificios. Tire del hilo hasta que su longitud sea igual a cada lado del carrete. (Ver Fig. 2)
- Gire la perilla del carrete en sentido contrario a las agujas del reloj (vea las flechas en la parte superior de la perilla) hasta que el hilo se bobine en la longitud de corte adecuada. (Ver Fig. 3)
- Vuelva a instalar el carrete en la cubierta del carrete, asegurándose de que esté bien trabado en el lugar. (Ver Fig. 4)



# CARGA DEL PAQUETE DE BATERÍAS

## PROCEDIMIENTO DE CARGA. CONSULTE LAS INSTRUCCIONES COMPLETAS EN EL MANUAL DEL CARGADOR

La batería de 24 voltios que se suministra está sellada, no requiere mantenimiento y es a prueba de derrames.

Cargue el paquete de baterías únicamente con el cargador provisto.

Deje la batería cargando al menos 75 minutos antes de usar la motosierra por primera vez.

Asegúrese de que el voltaje del suministro eléctrico sea el doméstico normal: 120 voltios, 60 Hz, CA únicamente.

El cargador de baterías debe funcionar en temperaturas que oscilen entre los 0 y 37,8 °C (32 y 100 °F).

La batería debe cargarse en un lugar fresco y seco.

Es posible que se necesiten de dos a tres ciclos de carga/descarga iniciales para obtener la máxima capacidad o tiempo de funcionamiento.

No intente abrir el cargador ni la unidad, ya que en su interior no existen piezas que el usuario pueda reparar. Comuníquese con la línea de ayuda de atención al cliente al 1-800-313-5111 para recibir asistencia.

NO incinere los paquetes de baterías, aunque estén muy dañados o totalmente agotados, porque pueden estallar y provocar lesiones.

Utilice el cargador de baterías sólo bajo techo.

Desconecte el cargador del suministro eléctrico cuando no esté en uso para evitar daños en caso de que se produzca un pico de tensión.

Cuando la batería está cargada por completo, se puede almacenar de forma segura en temperaturas de hasta -20 °C (-4 °F) durante un período de hasta cuatro semanas antes de que requiera una nueva carga. Cargue el paquete de baterías completamente cada 90 días.

Si transcurrido un tiempo determinado, el paquete de baterías se agota rápidamente después de un período de carga de 75 minutos, es necesario un cambio de batería.

Para prevenir un daño permanente a la batería, nunca la almacene descargada.

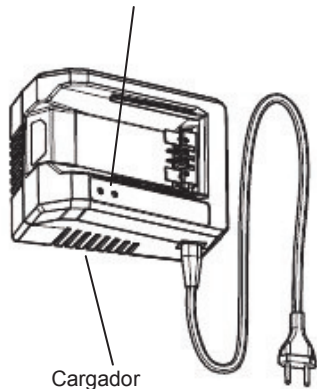
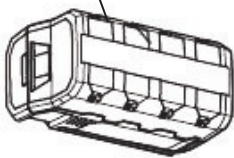
**ALMACENAMIENTO EN INVIERNO.** Recargue la batería completamente antes de guardarla y repita la operación cada 90 días.

Debido a que la batería no tiene ningún efecto memoria, no es necesario que esté totalmente descargada para volver a cargarla.

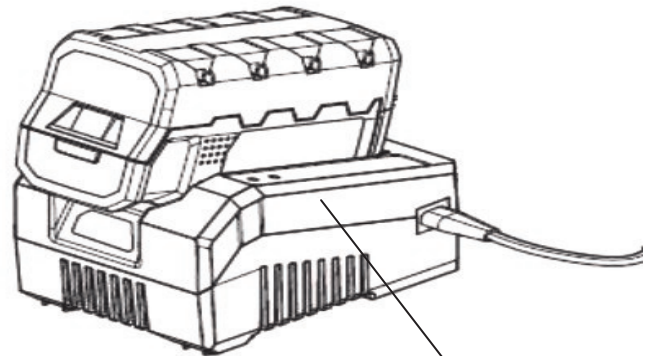
Es posible que ocurra una pequeña pérdida de líquido de las pilas en condiciones de uso, carga o temperaturas extremas. Esto no indica una falla. No obstante, si el sello externo está roto y el líquido entra en contacto con la piel:

- Lávese con agua y jabón de inmediato.
- Neutralice el efecto con un ácido débil como jugo de limón o vinagre.
- Si el líquido de la batería penetra en los ojos, enjuáguese con agua limpia durante un mínimo de 10 minutos y obtenga asistencia médica inmediata.

Paquete de baterías



Cargador



Luz roja constante + Parpadea en verde = La batería es está cargando  
Luz roja constante + Luz verde constante = La batería se cargó por completo

La pantalla LED mostrará "99 %" cuando esté totalmente cargada.

## ELIMINACIÓN DE LA BATERÍA

Extraiga el paquete de baterías de la herramienta. Cubra los terminales con una cinta adhesiva resistente. No trate de destruir ni desarmar el paquete de baterías ni de extraer ninguno de sus componentes. Este producto contiene baterías de iones de litio, que se deben reciclar o desechar adecuadamente. Es posible que las leyes locales, estatales o federales prohíban eliminar estas baterías con los desechos comunes.



El sello RBRC que aparece en el paquete de baterías de iones de litio indica que los costos para reciclarlo al término de su vida útil ya han sido pagados por The Great States Corporation/American Lawn Mower Company. Es ilegal arrojar las baterías de iones de litio gastadas en un depósito municipal de residuos sólidos o en la basura. RBRC, en colaboración con The Great States Corporation/American Lawn Mower Company, ofrece una forma fácil y ecológica de reciclar las baterías de iones de litio gastadas. Simplemente comuníquese con el centro de reciclaje local o llame al 1-800-8-BATTERY para obtener información sobre dónde dejar las baterías gastadas.

## MANTENIMIENTO

**⚠ PRECAUCIÓN:** evite en todo momento que líquidos de frenos, gasolina, productos a base de petróleo, aceites penetrantes, etc. entren en contacto con piezas plásticas. Contienen químicos que pueden dañar, debilitar o destruir el plástico.

Asegúrese de que la batería se haya retirado de la unidad y luego utilice únicamente un jabón suave y un paño húmedo para limpiar la herramienta. No permita que se filtre líquido en el interior de la herramienta ni sumerja ninguna pieza en líquido.

Los fertilizantes y otros productos químicos para el jardín contienen agentes que aceleran la corrosión de los metales en forma considerable. No guarde la herramienta junto a fertilizantes ni productos químicos.

**⚠ IMPORTANTE:** a fin de garantizar la SEGURIDAD y la CONFIABILIDAD, las reparaciones, el mantenimiento y los ajustes deben llevarse a cabo en un centro de servicio autorizado u otra organización de servicio calificada, y siempre utilizando repuestos idénticos.

Si la desbrozadora se ha caído, inspecciónela cuidadosamente para comprobar si sufrió algún daño. Si el protector está doblado o tiene grietas o los mangos están rotos, o si detecta alguna otra condición que pudiera afectar el funcionamiento de la desbrozadora, se deben realizar las reparaciones pertinentes antes de volver a usarla. Comuníquese con nuestra línea de ayuda de atención al cliente al 1-800-313-5111 para recibir asistencia.

## SOLUCIÓN DE PROBLEMAS

| <b>Problema</b>           | <b>Posible causa</b>  | <b>Posible solución</b>   |
|---------------------------|---|---|
| - La unidad no funciona.  | - La batería no hace contacto.<br>- El botón de bloqueo no está en la posición correcta   | - Verifique que la batería esté bien colocada.<br>- Compruebe que el botón de bloqueo se encuentre totalmente hacia adelante antes de accionar el gatillo.  |
| - El hilo no avanza.      | - La batería no está instalada correctamente.   | - Controle la instalación de la batería.  |
| - El hilo no se corta.    | - La batería no está cargada.<br>- El hilo está enredado en el carrete.   | - Revise los requisitos de carga de la batería.<br>- Desenrolle 60,9 cm (24 pulg.) de hilo y rebobine.  |
| - La batería no se carga. | - La cortadora de hilo en el protector falta o está dañada.<br>- La batería no está bien colocada en el cargador.<br><br>- El cargador no está enchufado. | - Reemplace el protector.<br>- Coloque nuevamente la batería en el cargador hasta que aparezca una luz roja en el indicador LED.<br>- Enchufe el cargador en un tomacorriente que funcione.<br>- Compruebe la corriente en el receptáculo; para ello enchufe una lámpara u otro artefacto.<br>- Asegúrese de que el receptáculo no esté conectado a un interruptor de luz que corta el suministro eléctrico cuando usted apaga las luces. |
|                           | - La temperatura del aire en el ambiente es muy baja o muy elevada.   | - Traslade el cargador y la herramienta a un lugar con una temperatura ambiente superior a los 0 °C (32 °F) e inferior a 37,8 °C (100 °F).  |

### ¡LLÁMENOS PRIMERO!

Llámenos primero si tiene preguntas sobre el funcionamiento o el mantenimiento de su desbrozadora al 1-800-313-5111, de 8:00 y a 17:00 h, hora estándar del este, o envíe un correo electrónico a [earthwise@reelin.com](mailto:earthwise@reelin.com).



## MANUAL DEL OPERARIO DESBROZADORA A BATERÍA DE LITIO DE 58 VOLTIOS

### POLÍTICA DE GARANTÍA

**Garantía limitada de cinco (5) años para el equipo eléctrico para exteriores Earthwise de 58 voltios y dos (2) años de garantía limitada para los paquetes de baterías y cargadores Earthwise de 58 voltios.**

**Earthwise** garantiza al propietario original que cada producto nuevo y pieza de repuesto está libre de defectos en el material y la mano de obra, y acepta reparar o reemplazar cualquier producto o pieza defectuosa durante el periodo de garantía según lo establecido anteriormente a partir de la fecha de compra original excepto en las condiciones y circunstancias que se indican a continuación:

La garantía se aplica solo al comprador original al menudeo y no puede transferirse.

La garantía se aplica si el producto está destinado para uso personal, doméstico o familiar. La garantía queda anulada si el producto se usa con fines comerciales, industriales o de alquiler.

La garantía no incluye reparaciones necesarias debido a abuso o negligencia por parte del operador (incluida la sobrecarga del producto que supere la capacidad o inmersión en el agua), o un error al montar, operar, mantener o almacenar el producto de acuerdo con las instrucciones del manual del operador.

Esta garantía no es transferible y solo se aplica a productos vendidos directamente por un distribuidor minorista autorizado. Esta garantía no se aplica a cualquier producto, nuevo o usado, adquirido a través de canales de terceros no autorizados.

CUALQUIER PÉRDIDA ACCIDENTAL, INDIRECTA O RESULTANTE, DAÑO O GASTO QUE PUEDA DERIVAR DE CUALQUIER DEFECTO, FALLA O MALFUNCIONAMIENTO DEL PRODUCTO NO ESTÁ CUBIERTO POR LA GARANTÍA. En algunos estados no se permite la exclusión o limitación sobre la duración de las garantías implícitas, en cuyo caso la limitación anterior no podría aplicarse.

Los productos que se venden dañados o incompletos, que se venden "tal como están" o reacondicionados no están cubiertos por esta garantía.

Los daños o inconvenientes causados por envío, manipulación inadecuada, montaje incorrecto, voltaje o cableado incorrecto, mantenimiento deficiente, modificaciones inadecuadas o el uso de accesorios o dispositivos de sujeción no recomendados específicamente no están cubiertos por esta garantía.

Elementos consumibles que se desgastan con el uso normal cubierto por la garantía.

La garantía no cubre los daños causados por el frío, el calor, la lluvia, la humedad excesiva, ambientes y materiales corrosivos u otros contaminantes.

La garantía no incluye instalación, montaje o ajustes normales tal como se explican en el manual del operador.

Los gastos de entrega del producto al proveedor y los gastos de devolución del producto o las piezas de repuesto al propietario no están cubiertos por esta garantía.

La garantía no cubre el deterioro normal del acabado exterior, que incluye pero no se limita a rayones, abolladuras, cascarillas de pintura o cualquier corrosión o decoloración ocasionada por el calor, limpiadores abrasivos o químicos.

**Todos los reclamos de garantía deben estar acompañados por el comprobante de compra, el recibo de compra original con fecha.**



The Great States Corporation  
American Lawn Mower Company  
830 Webster Street  
Shelbyville, IN 46176  
Teléfono: 1-800-313-5111  
www.earthwisetools.com

Con el compromiso constante de mejorar la calidad, el fabricante se reserva el derecho de modificar los componentes o diseñar cambios cuando lo considere necesario.



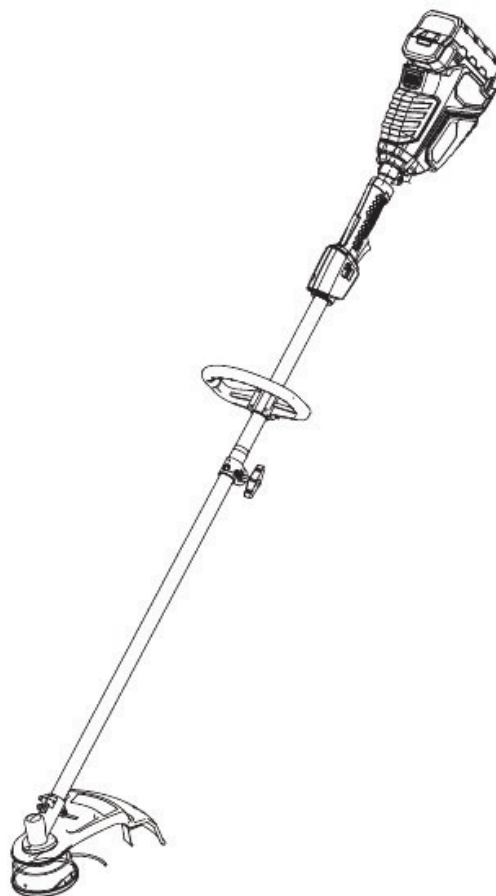
# MANUEL DE L'UTILISATEUR

## TONDEUSE À FIL AUTONOME AU LITHIUM DE 58 VOLTS

### MOTEUR SANS BALAIS

Ce produit est protégé par des brevets américains et d'autres brevets internationaux  
Droit d'auteur. Tous droits réservés.

LST05815



Chargeur conforme CA inclus, modèle no CHL80058

Votre tondeuse à fil a été conçue et fabriquée selon notre norme élevée de fiabilité, de facilité d'utilisation et de sécurité de l'utilisateur. Correctement entretenue, elle vous procurera des années de service intensif et sans souci.



**AVERTISSEMENT :** Afin d'éviter de se blesser, l'utilisateur doit lire et comprendre le manuel de l'utilisateur avant d'utiliser ce produit.

**LA BATTERIE DOIT ÊTRE CHARGÉE AVANT LA PREMIÈRE UTILISATION.**

Merci pour votre achat.

NE RENVOYEZ PAS CE PRODUIT AU MAGASIN. AVEZ-VOUS DES QUESTIONS CONCERNANT LE FONCTIONNEMENT, L'ASSEMBLAGE, LES PIÈCES OU LA RÉPARATION DU PRODUIT? COMPOSEZ LE 1-800-313-5111 DE 8 h 00 à 17 h 00, HNE, POUR OBTENIR DE L'AIDE.

**CONSERVEZ CE MANUEL POUR POUVOIR LE CONSULTER ULTÉRIEUREMENT**

## ⚠ AVERTISSEMENTS DE SÉCURITÉ IMPORTANTS ⚠

### POUR RÉDUIRE LE RISQUE DE BLESSURES :

Avant toute utilisation, assurez-vous que toute personne utilisant cet outil a lu et compris toutes les consignes de sécurité et les autres renseignements contenus dans ce manuel.

⚠ **MISE EN GARDE** : Portez des protections auditives appropriées pendant l'utilisation. Dans certaines conditions, ou en cas d'utilisation prolongée, le bruit émis par ce produit peut contribuer à une perte auditive.

Conservez ces instructions et relisez-les souvent avant d'utiliser le produit et lorsque vous apprenez son emploi à d'autres personnes.

⚠ **AVERTISSEMENT** : Lors de l'utilisation d'outils électriques de jardinage, les consignes de sécurité de base doivent toujours être suivies afin d'éviter les incendies, les chocs électriques et les blessures, notamment :

### LIRE TOUTES LES INSTRUCTIONS

## SÉCURITÉ GÉNÉRALE

**GARDER HORS DE PORTÉE DES ENFANTS** – Tous les visiteurs, enfants et animaux domestiques doivent se tenir au-delà du périmètre de sécurité de la zone de travail.

**S'HABILLER DE FAÇON APPROPRIÉE** – Ne portez pas des vêtements amples ou des bijoux. Portez une protection des cheveux pour contenir les cheveux longs. Ceux-ci risquent en effet d'être happés par les pièces en mouvement. L'utilisation de gants en caoutchouc et de chaussures robustes est recommandée pour les travaux à l'extérieur. Portez toujours des pantalons longs lors de l'utilisation de cette tondeuse à fil.

**PORTER DES LUNETTES DE SÉCURITÉ** – Lors de l'utilisation de ce produit, portez des lunettes de sécurité avec des écrans latéraux portant une marque de conformité à la norme ANSI Z87.1. Portez un masque facial ou antipoussières en présence de poussières.

**UTILISER LE BON OUTIL** – N'utilisez pas l'outil pour une tâche pour laquelle il n'a pas été conçu.

**RETIRER LA BATTERIE DE LA TONDEUSE À FIL** quand elle n'est pas utilisée ou lors de l'entretien ou du nettoyage. Ne la laissez pas sans surveillance.

**VÉRIFIER LES PIÈCES ENDOMMAGÉES** – Avant de poursuivre l'utilisation de la tondeuse à fil, toute protection ou autre pièce qui est endommagée doit être vérifiée avec précaution afin de vérifier qu'elle fonctionnera correctement et remplira sa fonction prévue. Vérifiez que les pièces mobiles sont alignées, qu'elles ne sont pas coincées, qu'aucune pièce n'est cassée, et inspectez la qualité du montage et toute autre condition pouvant affecter le fonctionnement de l'outil. Une pièce de protection ou autre qui est endommagée doit être réparée ou remplacée de manière adéquate. Appelez notre service clientèle au 1-800-313-5111 pour obtenir de l'aide.

**ÉCLAIRAGE** – N'utilisez la tondeuse à fil qu'à la lumière du jour ou sous un bon éclairage artificiel.

**NE PAS ESSAYER DE COUPER TROP LOIN** – Conservez toujours une assise correcte et un bon équilibre.

⚠ **AVERTISSEMENT** : N'utilisez pas la tondeuse à fil avec n'importe quel type d'accessoire ou d'outil. Une telle utilisation pourrait être dangereuse.

**ÉVITER LES ENVIRONNEMENTS DANGEREUX** – N'utilisez pas la tondeuse à fil sous la pluie ou dans les endroits humides ou mouillés. N'utilisez pas la tondeuse à fil dans les atmosphères gazeuses ou explosives. Les moteurs de ces outils émettent normalement des étincelles, qui pourraient enflammer les vapeurs.

**ÉVITER UNE MISE EN MARCHÉ ACCIDENTELLE** – S'assurer que la gâchette est verrouillée en position d'arrêt avant d'insérer le bloc piles. Le transport d'outils avec le doigt sur le commutateur ou l'insertion du bloc piles avec le commutateur en position marche est une invite aux accidents.

⚠ **DANGER** : Risque de coupure. N'approchez pas les mains des fils. Gardez les deux mains sur les poignées quand l'outil est en marche.

⚠ **DANGER** : Don't use tool if switch trigger does not turn it on or off. Appelez notre service clientèle au 1-800-313-5111 pour obtenir de l'aide.

⚠ **DANGER** : Ne pas jeter les piles au feu. La cellule peut exploser. Vérifier les codes locaux pour connaître toute instruction spéciale relative à l'élimination des piles.

⚠ **DANGER** : Ne pas altérer le bloc piles. L'électrolyte est un produit corrosif pouvant causer des lésions cutanées ou oculaires. Il peut être toxique en cas d'ingestion.

**NE PAS TENTER** d'enlever du matériau coupé, ni de tenir du matériau à couper quand les fils sont activés. Assurez-vous que la tondeuse à fil est hors tension pour enlever le matériau coincé dans les fils. Ne saisissez pas les protections ou les fils quand vous prenez ou tenez la tondeuse à fil.

⚠ **MISE EN GARDE** : Les fils tournent encore après la mise hors tension.

**NE PAS FORCER PAS LA TONDEUSE À FIL** – Elle sera plus efficace et avec un moindre risque de blessures à l'intensité pour laquelle elle a été conçue.

**RESTER VIGILANT** – Regardez ce que vous faites. Faites preuve de bon sens. N'utilisez pas la tondeuse à fil si vous êtes fatigué ou sous l'influence de médicaments, de drogues ou d'alcool.

**RANGER LA TONDEUSE À FIL À L'INTÉRIEUR** – Lors qu'elle n'est pas utilisée, la tondeuse à fil doit être rangée à l'intérieur dans un endroit sec et élevé ou verrouillé, hors de portée des enfants.

⚠ **AVERTISSEMENT** : Ne pas faire fonctionner l'équipement pied-nu ou en portant des sandales ou des chaussures légères similaires. Porter des chaussures de protection qui protègent vos pieds et améliorent votre équilibre sur des surfaces glissantes.

⚠ **AVERTISSEMENT** : Utiliser exclusivement des pièces de rechange et accessoire d'origine. L'usage de toute autre pièce pourrait créer une situation dangereuse ou endommager l'produit.

⚠ **AVERTISSEMENT** : Utiliser exclusivement des lignes de coupe d'origine si l'on d'utiliser l'accessoire taille-bordures. Ne pas utiliser un autre accessoire de coupe, tel que fil métallique, corde, ou autre. L'utilisation d'une tête de coupe d'autre marque sur cette tondeuse à fouet peut entraîner des blessures graves.

### ENTREtenir LA TONDEUSE À FIL AVEC ATTENTION –

Maintenez la protection et les poignées propres pour un rendement optimal et pour réduire le risque de blessures. Maintenez les poignées sèches et exemptes d'huile et de graisse.

⚠ **AVERTISSEMENT** : Proposition 65 de l'État de la Californie : L'État de la Californie considère que certains produits chimiques contenus dans cet appareil sont à l'origine de cancers, de malformations congénitales et d'autres troubles de l'appareil reproducteur.

⚠ **AVERTISSEMENT** : L'État de la Californie considère que certaines poussières créées par ce produit contiennent des produits chimiques qui sont à l'origine de cancers, de malformations congénitales et d'autres troubles de l'appareil reproducteur. Parmi ces produits chimiques, citons :

- les produits chimiques contenus dans les engrais
- les composés contenus dans les insecticides, les herbicides et les pesticides
- l'arsenic et le chrome du bois traité chimiquement

Votre risque d'exposition à ces produits chimiques varie en fonction de la fréquence à laquelle vous effectuez ce type de travail. Afin de réduire l'exposition à ces produits chimiques, portez un équipement de sécurité homologué, comme un masque antipoussières spécialement conçu pour filtrer les particules microscopiques.

⚠ **MISE EN GARDE** : Utiliser uniquement le type suivant et la batterie de taille (IE est): BL85820, BL85840.

⚠ **MISE EN GARDE** : Manipuler les piles avec soin pour éviter des courts circuits avec des objets conducteurs comme des anneaux, des bracelets et des clés. La pile ou l'objet conducteur peuvent surchauffer et causer des brûlures.

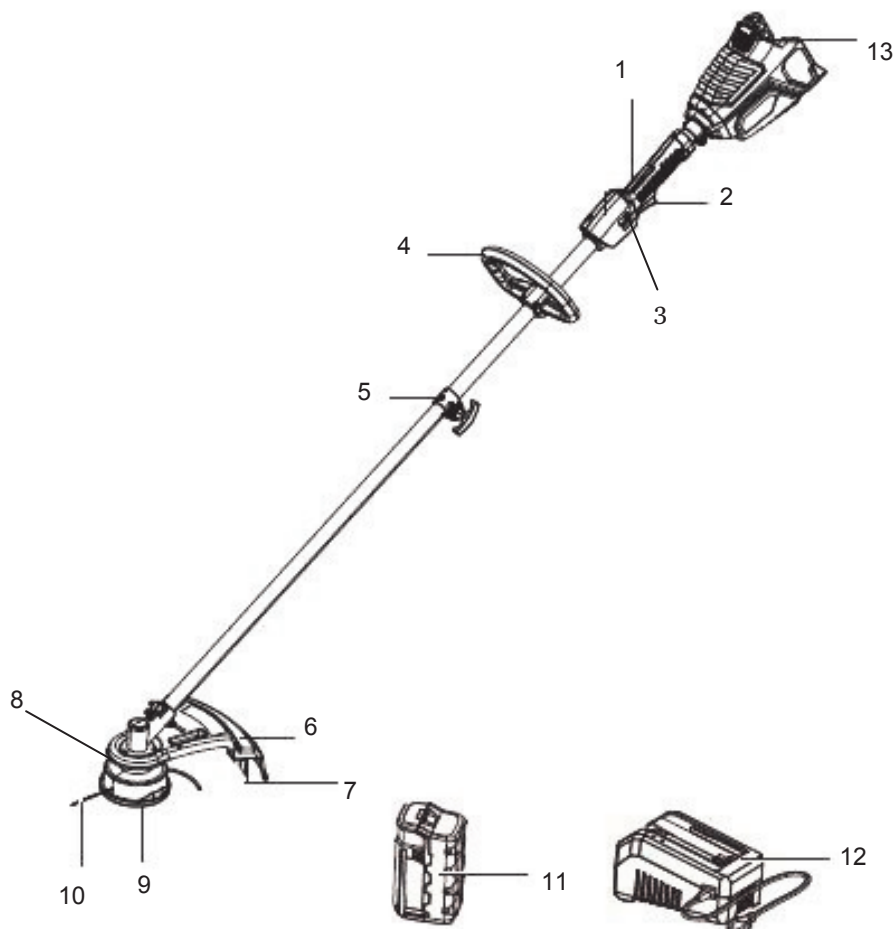
# CARACTÉRISTIQUES

## SPÉCIFICATIONS DU PRODUIT

**LST05815**

Entrée .....58 V, CC uniquement  
 Vitesse .....5100/6500RPM  
 Largeur de coupe .....33,0 ou 38,1 cm (13 ou 15 po)  
 Poids .....2Ah 5,0 kg (11 lb), 4Ah 5,7 kg (12.6 lb)

2,03 mm (0,08 po) fil double enroulé - Alimentation par coup



| N° | Description (Numéro de pièce)      | N° | Description (Numéro de pièce) |
|----|------------------------------------|----|-------------------------------|
| 1  | Bouton de verrouillage de sécurité | 8  | Espaceur en acier             |
| 2  | Contacteur                         | 9  | Bouton de dévidoir            |
| 3  | Bouton à deux vitesses             | 10 | Chaîne                        |
| 4  | Poignée auxiliaire                 | 11 | Batterie                      |
| 5  | Pince de blocage                   | 12 | Chargeur                      |
| 6  | Carter de protection               | 13 | Bouton de déverrouillage      |
| 7  | Lame de coupe du fil               |    |                               |





# ASSEMBLAGE

## DÉBALLAGE

Ce produit requiert un assemblage.

## LISTE DU CONTENU

- Bloc moteur
- Pièce de tondeuse à fil
- Carter de protection
- Chargeur et bloc-batterie
- Assemblage de dévidoir
- Poignée auxiliaire
- Sac de quincaillerie, contenant les pièces ci-dessous :

| Image   | Nom               | Taille      | Quantité |
|---|-------------------|-------------|----------|
|  | Boulon            | M5.0*0.8*35 | 4 PCS    |
|  | Espaceur en acier | N/A         | 1 PC     |
|  | Vis creuse        | M5.0*0.8*12 | 3 PCS    |
|  | Clé               | T25&+       | 1 PC     |

**AVERTISSEMENT** : N'installez pas la batterie tant que l'assemblage n'est pas terminé. Le non-respect de cette consigne peut entraîner un démarrage accidentel et éventuellement des blessures graves.

**AVERTISSEMENT** : Si des pièces sont endommagées ou manquantes, n'utilisez pas ce produit tant qu'elles ne sont pas remplacées. Le non-respect de cette consigne peut entraîner des blessures graves.

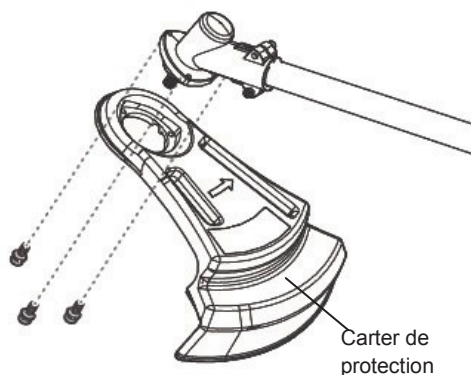
Enlevez avec précaution le produit et les accessoires du carton. Assurez-vous que tous les éléments figurant dans la liste du contenu sont inclus. Inspectez soigneusement le produit pour vous assurer que rien n'a été cassé ou endommagé pendant le transport. Inspectez soigneusement le produit pour vous assurer que rien n'a été cassé ou endommagé pendant le transport. Ne jetez pas le matériau d'emballage tant que vous n'avez pas soigneusement inspecté et utilisé le produit de façon satisfaisante.

Si des pièces sont endommagées ou manquantes, veuillez appeler le 1-800-313-5111 pour obtenir de l'aide.

## FIXATION DU CARTER DE PROTECTION

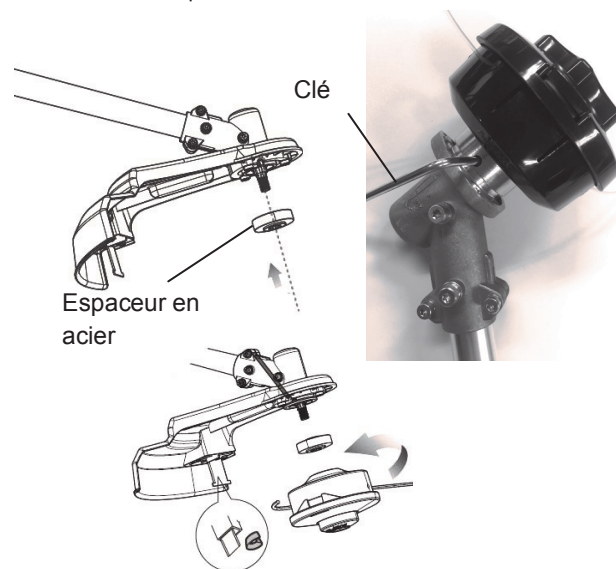
Assemblez le carter de protection comme indiqué ci-dessous en l'insérant sur la fente de la tête du boîtier du moteur. Avec un tournevis Phillips, fixez la seule (1) vis dans le carter de protection et le boîtier du moteur. Retirez la protection de lame.

**AVERTISSEMENT** : N'utilisez pas la tondeuse à fil sans le carter de protection fixé.



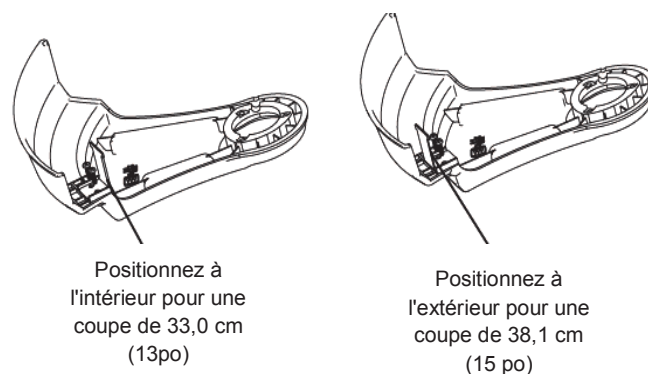
## INSTALLER LE DÉVIDOIR À FIL

Assurez-vous que le bloc-batterie est enlevé. Placez l'espaceur en acier sur l'axe de la tête de coupe. Alignez le trou dans l'espaceur avec la zone entaillée du bâti. Insérez la clé fournie dans le trou de l'espaceur et du bâti pour fixer l'espaceur tout en installant le dévidoir. Tournez le dévidoir sur le boulon dans le sens antihoraire. Assurez-vous que le dévidoir est fermement posé.



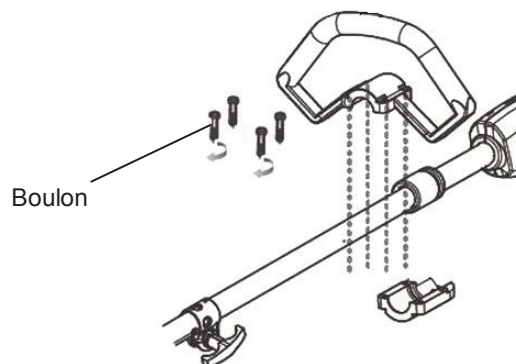
## RÉGLAGE DE LA LARGEUR DE COUPE

La largeur de coupe peut être réglée à 33,0 ou 38,1 cm (13 ou 15 po) en positionnant la lame de la tondeuse à fil comme illustrée.



## FIXER LA POIGNÉE AUXILIAIRE

Installez la poignée auxiliaire et le support du bas autour de l'axe de la tête d'alimentation, à une distance confortable de l'interrupteur de gâchette. Insérez les boulons M5.0\*0.8\*35 dans chacun des quatre trous. À l'aide de l'outil combiné fourni, serrez les boulons fermement afin que la poignée soit stationnaire sur l'axe.





# ASSEMBLAGE

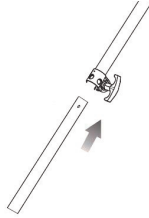
## INSTALLER LA PIÈCE DE TONDEUSE À FIL SUR LA TÊTE D'ALIMENTATION

L'accessoire se raccorde au bloc-moteur à l'aide d'un dispositif de couplage.

- Retirer le bloc-piles.
- Desserrez l'écrou papillon du coupleur sur l'axe de la tête d'alimentation.
- Tirer la clavette d'arrêt située sur l'arbre de l'ensemble moteur et tourner sur 1/4 de tour. Cette rotation permet de bloquer la clavette à l'extérieur de l'arbre même lorsqu'elle est retirée.
- Aligner le trou de l'arbre avec la clavette d'arrêt de l'arbre de l'ensemble moteur et insérer les deux arbres l'un dans l'autre.
- Tourner la clavette d'arrêt sur 1/4 de tour pour asseoir complètement la clavette dans le trou de l'arbre.

**NOTE :** Une clavette qui ne s'engage pas complètement dans le trou de positionnement signifie que les arbres ne sont pas fixés correctement en place. Tourner légèrement d'un côté à l'autre jusqu'à ce que la clavette cesse de bouger.

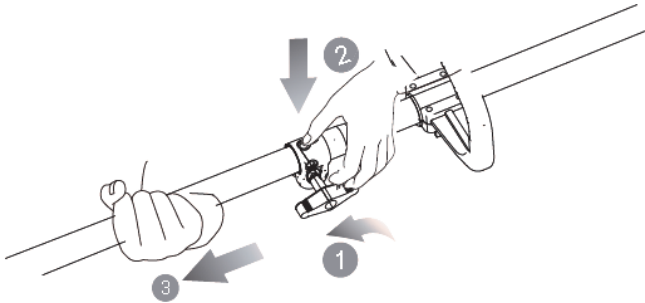
- Serrer le bouton fermement.



**AVERTISSEMENT :** S'assurer que le bouton est bien serré avant d'utiliser l'outil et le vérifier de temps à autre pour éviter le risque de blessures graves.

## RETRAIT DE L'ACCESSOIRE DU BLOC MOTEUR

- Arrêter le moteur et retirer le bloc-piles.
- Desserrez le bouton.
- Tirer la clavette d'arrêt et faire pivoter les arbres afin de séparer et retirer les extrémités.



## INSTALLER ET RETIRER LE BLOC-BATTERIE DE L'APPAREIL

### Installer le bloc-piles :

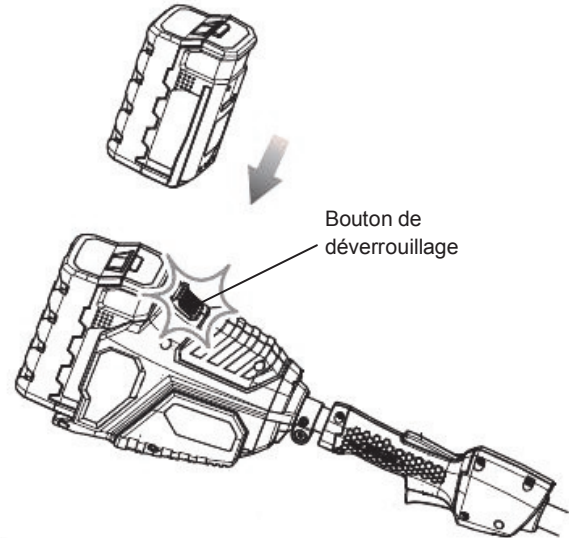
- Aligner la rainure du bloc-piles sur la nervure en saillie du logement d'outil et placer la pile dans l'outil.

**AVERTISSEMENT :** S'assurer que le loquet de l'outil s'enclenche et que le bloc-piles est installé et fixé correctement au l'outil avant de commencer le travail. Ne pas installer et fixer correctement le bloc-piles peut provoquer la chute de ce dernier et occasionner des blessures graves.

### Retirer le bloc-piles :

- Appuyer sur le taquet de la pile situé sur l'outil et pousser le bloc-piles vers l'extérieur en utilisant la poignée.

**AVERTISSEMENT :** Pour éviter des blessures graves, toujours retirer le bloc-piles et tenir à distance de mains le gâchette avec verrou en portant l'outil.



# UTILISATION

## MISE EN MARCHÉ DE L'OUTIL

Choisissez la vitesse d'opération désirée (Élevée ou Basse). Maintenez appuyé le bouton de déverrouillage de l'interrupteur au haut de la poignée avant et comprimez l'interrupteur de gâchette avec vos doigts.

## POUR ARRÊTER L'OUTIL

Relâchez l'interrupteur de gâchette.

Avant de mettre l'outil en marche, assurez-vous que la tondeuse à fil ne touche aucun d'objet.

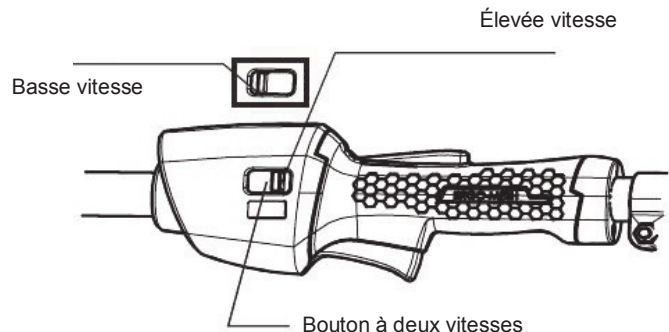
**AVERTISSEMENT :** Des pierres, des morceaux de métal ou d'autres objets peuvent être projetés à grande vitesse par le fil. L'outil et le carter de protection sont conçus afin de réduire le danger.

**AVERTISSEMENT :** Respectez les consignes suivantes pour éviter de vous blesser :

Lisez le manuel d'instructions avant toute utilisation et conservez-le. N'approchez pas les mains des fils.

Gardez les mains sur les poignées. N'essayez pas de couper trop loin.

Si vous heurtez ou happez un objet étranger, arrêtez immédiatement l'outil, vérifiez s'il est endommagé et faites-le réparer s'il le faut avant de l'utiliser à nouveau. Ne l'utilisez pas avec un moyeu ou un dévidoir brisé.



# UTILISATION

## INSTRUCTIONS DE COUPE

⚠ **MISE EN GARDE** : Les fils tournent encore après la mise hors tension.  
N'utilisez pas l'outil dans des conditions mouillées.

⚠ **MISE EN GARDE** : Inspectez la zone à couper et enlevez tout fil de fer, câble ou objet filaire pouvant s'emmêler dans le fil ou le dévidoir en rotation. Faites particulièrement attention d'éviter tout fil de fer pouvant être tordu vers l'extérieur dans la trajectoire de l'outil, comme le fil barbelé à la base d'une clôture à mailles en losange.

### UTILISATION DU BLOC MOTEUR

Tenir le bloc moteur avec la main droite sur la poignée arrière et la main gauche sur la poignée avant. Garder une prise ferme sur les deux poignées pendant le fonctionnement. Le bloc-moteur doit être tenu dans une position confortable, la poignée arrière se trouvant à peu près à hauteur de la taille.

Si des débris s'enroulent autour de l'accessoire, RELÂCHER LA GÂCHETTE, retirer le bloc-piles et retirer les débris.

### Position correcte pour la coupe

Votre poids doit être équilibré, avec les deux pieds sur un sol ferme.

### Procédure de coupe de base

Balancer doucement la tondeuse de gauche à droite, comme illustré.

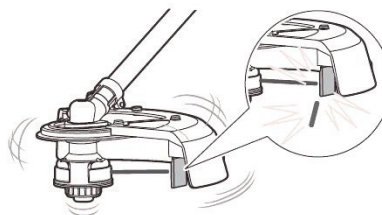
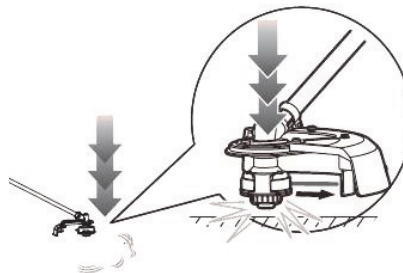


⚠ **AVERTISSEMENT** : Ne coupez pas à proximité de câbles ou de bâtiments.

⚠ **AVERTISSEMENT** : L'utilisation répétée de ce produit ne doit pas vous rendre imprudent. N'oubliez pas qu'une fraction de seconde d'inattention suffit pour infliger des blessures graves. N'utilisez pas la tondeuse à fil dans un arbre, sur une échelle ou sur un échafaudage, car ceci est extrêmement dangereux. Portez des gants non glissants pour une tenue et une protection maximales.

### AVANCE DU FIL / ALIMENTATION PAR COUP

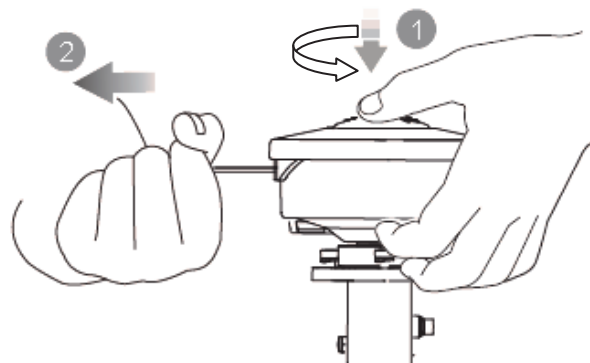
Votre tondeuse à fil utilise du fil de nylon enroulé d'un diamètre de 2,03 mm (0,08 po) pour couper la pelouse et les mauvaises herbes rapidement et facilement. Le temps venu, la pointe du fil de nylon s'usera. Pour libérer du fil, positionnez la tête de coupe de façon parallèle au sol et cognez la tête 2 à 3 fois contre le sol lorsque la tondeuse fonctionne. Lorsqu'assez de fil est libéré, vous entendrez le son de la lame coupant le fil. Le fil de coupe s'usera plus rapidement si la coupe est effectuée le long des trottoirs ou d'autres surfaces abrasives, ou si des mauvaises herbes plus robustes sont coupées.



### FIL ÉTENDU MANUELLEMENT

Si le fil de la tondeuse heurte des objets tranchants ou abrasifs, comme des pierres, des pièces de métal ou du béton, il risque d'être rogné trop court pour poursuivre la coupe. Dans ce cas, vous pouvez l'allonger à la main :

- RETIREZ LE BLOC-BATTERIE.
- Rentez le bouton du dévidoir et tournez-le dans le sens antihoraire. Sortez le fil après chaque quart de tour pour atteindre la longueur adéquate. (Remarque : ne faites sortir que la quantité de fil lui permettant de dépasser à peine de la lame. En cas d'une sortie excédentaire de fil, la lame ne pourra pas le couper à la longueur utile correcte et celui-ci risque de s'enchevêtrer sur l'axe de rotation.)
- Installez le bloc-batterie.
- Redémarrez la tondeuse et reprenez votre travail normal.

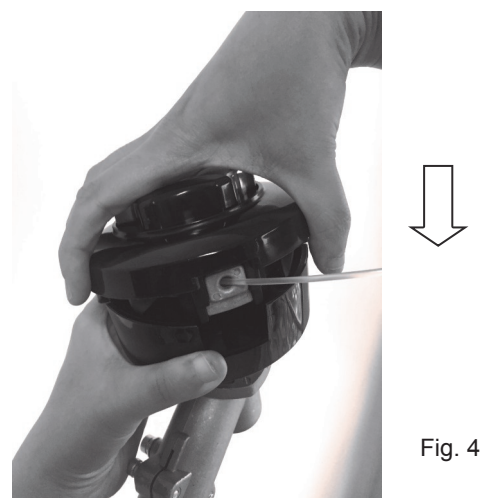
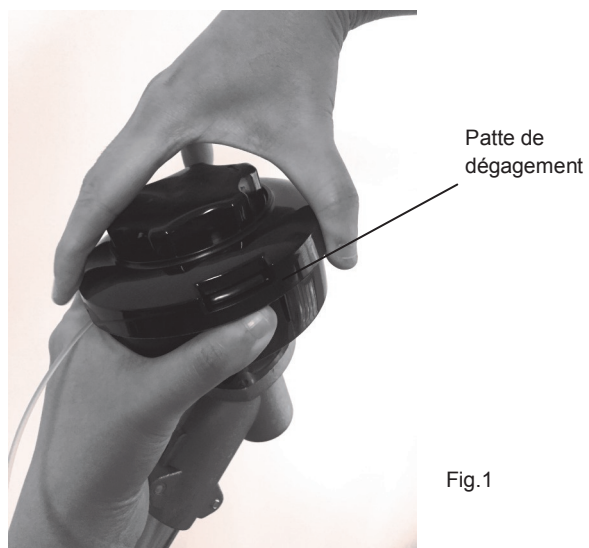
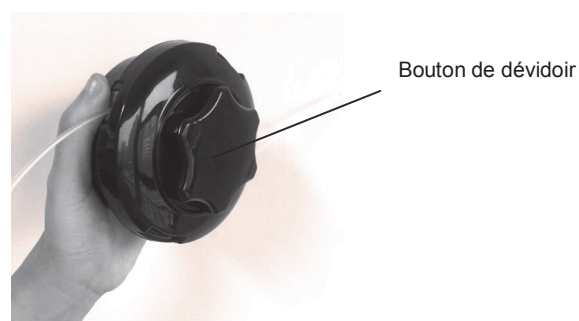
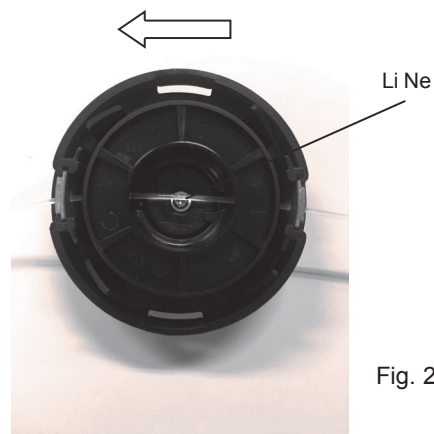


## UTILISATION

### REBOBINER LE DÉVIDOIR DU FIL EN VRAC (UTILISEZ SEULEMENT DU FIL D'UN DIAMÈTRE DE 2,00 MM (0,080po) )

Du fil en vrac conçu pour votre tondeuse/coupe-bordure et sans frais supplémentaire est disponible auprès de votre fournisseur local ou votre centre service. Pour installer, suivez les instructions suivantes :

- Éteignez la tondeuse et retirez la batterie.
- Coupez le fil à une longueur de 4,5 m (14,7 pi).
- Appuyez sur les onglets de dégagement du couvercle du dévidoir, comme illustré à la Fig. 1, puis retirez le dévidoir en le tirant tout droit. Enlevez et jetez tout le fil sur le dévidoir.
- Tournez le bouton du dévidoir afin que les 2 trous dans le moyeu du dévidoir soient alignés avec les trous des deux œillets métalliques.
- Insérez complètement le fil dans les quatre trous. Tirez le fil jusqu'à ce qu'il y ait une longueur égale de fil de chaque côté du dévidoir. (Voir la Fig. 2)
- Tournez le bouton de dévidoir dans le sens horaire (voir les flèches sur le haut du bouton) jusqu'à tirer le fil à la longueur de coupe adéquate. (Voir la Fig. 3)
- Réinstallez le dévidoir dans le protège-dévidoir en s'assurant qu'il est fermement verrouillé en place. (Voir la Fig. 4)



# CHARGER LE BLOC-BATTERIE

## POUR RECHARGER - VOIR LE MANUEL DU CHARGEUR POUR LES INSTRUCTIONS COMPLÈTES

La batterie de 24 V fournie est étanche, sans entretien requis et sans risque de fuites.

Ne chargez le bloc-batterie qu'avec le chargeur fourni.

Attendez au moins 75 minutes de charge avant la première utilisation de l'outil.

Assurez-vous que l'alimentation est d'une tension domestique normale : 120 V, 60 Hz, CA uniquement.

Le chargeur de batteries doit être utilisé à des températures entre 0 et 37,8 °C (32 et 100 °F).

La batterie doit être chargée dans un endroit frais et sec.

2 à 3 cycles initiaux de charge/décharge peuvent être nécessaires pour obtenir la durée/capacité maximum.

Ne tentez pas d'ouvrir le chargeur ou l'appareil. Ils ne contiennent pas de pièces réparables par le client. Appelez le service clientèle au 1-800-313-5111 pour obtenir de l'aide.

NE brûlez PAS les blocs-batteries, même si ces derniers sont sévèrement endommagés ou complètement usés. Ils peuvent exploser dans un feu et provoquer des blessures.

N'utilisez le chargeur de batterie qu'à l'intérieur.

Déconnectez le chargeur de l'alimentation quand il n'est pas utilisé afin d'éviter de l'endommager en cas de surtensions.

Lorsqu'elles sont entièrement chargées, les batteries peuvent être stockées de façon sûre à des températures pouvant atteindre -40 °C (-40 °F) pendant quatre semaines avant de devoir être rechargées. Chargez complètement le bloc-batterie tous les 90 jours.

Si, avec le temps, le bloc-batterie s'épuise rapidement après une période complète de charge de 75 minutes, vous devrez le remplacer.

Pour éviter des dégâts permanents de la batterie, ne la stockez jamais lorsqu'elle est déchargée.

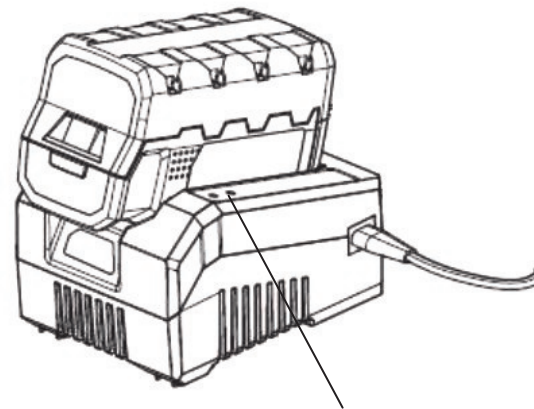
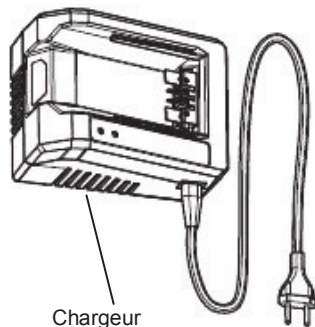
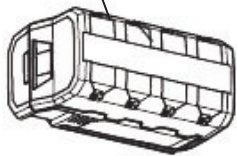
REMISAGE POUR L'HIVER - Effectuez une recharge complète avant le remisage et ensuite tous les 90 jours.

La batterie ne développant pas de mémoire, il n'est pas nécessaire qu'elle soit entièrement déchargée avant de la recharger.

Une faible fuite de liquide des compartiments de batterie peut se produire dans des conditions extrêmes d'utilisation, de charge ou de températures. Ceci n'est pas le signe d'une défaillance. Toutefois, si le joint extérieur est rompu et que cette fuite atteint votre peau :

- Lavez rapidement avec du savon et de l'eau.
- Neutralisez avec un acide doux, comme du jus de citron ou du vinaigre.
- c. Si du liquide de batterie atteint les yeux, rincez-les avec de l'eau propre pendant un minimum de 10 minutes et appelez immédiatement un médecin.

Bloc-Batterie



Rouge fixe + Clignote vert = Batterie en charge.  
Rouge fixe + Vert fixe = Batterie entièrement chargée.

« 99 % » s'affiche sur l'écran LED lorsque la charge est complète.

## MISE AU REBUT DE LA BATTERIE

Retirez le bloc-batterie de la tondeuse à fil. Couvrez les bornes avec du ruban adhésif résistant. Ne tentez pas de détruire ou de démonter le bloc-batterie ou d'enlever des composants. Ce produit contient des batteries au lithium-ion qui doivent être recyclées ou éliminées de façon appropriée. Les lois locales, provinciales ou fédérales peuvent interdire l'élimination de ces batteries dans les déchets ménagers.



Le sceau RBRC sur le bloc-batterie au lithium-ion indique que les coûts du recyclage du bloc-batterie à la fin de sa durée de vie utile ont déjà été payés par la société The Great States Corporation/American Lawn Mower Company. Il est illégal de placer des batteries lithium-ion usagées dans les ordures domestiques de la localité ou dans les poubelles. RBRC, en coopération avec la société The Great States Corporation/American Lawn Mower Company, fournit un moyen facile et écologique de recycler les batteries lithium-ion usagées. Il suffit de communiquer avec votre centre de recyclage local ou d'appeler le 1-800-8BATTERY pour savoir où déposer la batterie usagée.

# MAINTENANCE

**⚠ MISE EN GARDE** : Ne laissez jamais de liquide de frein, d'essence, de produits à base de pétrole, d'huiles pénétrantes, etc. entrer en contact avec les pièces en plastique. Ces substances contiennent des produits chimiques pouvant endommager, affaiblir ou détruire le plastique.

Assurez-vous que la batterie soit retirée de l'appareil, n'utilisez ensuite que du savon doux et un chiffon mouillé pour nettoyer l'outil. Ne laissez jamais de liquide entrer dans l'outil; n'immergez jamais une partie de l'outil dans du liquide.

Les engrais et autres produits chimiques de jardinage contiennent des agents qui accélèrent fortement la corrosion des métaux. Ne rangez pas l'outil sur ou à côté d'engrais ou de produits chimiques.

**⚠ IMPORTANT** : Pour garantir la SÉCURITÉ et la FIABILITÉ du produit, les réparations, la maintenance et le réglage doivent être effectués par un centre de réparation agréé ou un autre organisme de réparation qualifié qui utilise toujours des pièces de rechange identiques.

Si la tondeuse à fil tombe, vérifiez avec soin si elle est endommagée. Si le carter est tordu ou fendu, les poignées cassées ou si vous constatez d'autres problèmes pouvant affecter le fonctionnement de la tondeuse à fil, la pièce doit être réparée avant de réutiliser la tondeuse. Appelez notre service clientèle au 1-800-313-5111 pour obtenir de l'aide.

## DÉPANNAGE

| Problème                       | Cause possible  | Solution possible   |
|--------------------------------|---|---|
| - L'appareil ne fonctionne pas | - La batterie ne fait pas contact<br>- Le déverrouillage n'est pas activé à fond<br>- La batterie n'est pas correctement installée<br>- La batterie n'est pas chargée | - Vérifier que la batterie soit insérée à fond<br>- Vérifier que le déverrouillage soit à fond vers l'avant avant d'activer la gâchette<br>- Vérifier l'installation de la batterie<br>- Vérifier les exigences de charge de la batterie  |
| - Le fil n'avance pas          | - Le fil est enchevêtré dans le dévidoir  | - Dérouler 60,9 cm (24 po) de fil et le rembobiner  |
| - Impossible de couper le fil  | - Le coupe-fil du carter de protection est endommagé ou manquant  | - Remplacer le carter de protection   |
| - La batterie ne se charge pas | - La batterie n'est pas insérée dans le chargeur<br>- Le chargeur n'est pas branché<br><br>- La température de l'air ambiant est trop élevée ou trop basse            | - Insérer la batterie dans le chargeur jusqu'à ce que la DEL rouge s'allume<br>- Brancher le chargeur sur une prise opérationnelle<br>- Vérifier le courant à la prise en branchant une lampe ou un autre appareil<br>- Vérifier si la prise est connectée à un interrupteur d'éclairage qui coupe l'alimentation quand vous éteignez la lumière<br>- Placer le chargeur et l'appareil dans un endroit où la température ambiante est supérieure à 0 °C (32 °F) ou inférieure à +37,8 °C (100 °F) |

## APPELEZ-NOUS D'ABORD!!

Appelez-nous d'abord pour toute question concernant le fonctionnement ou la maintenance de votre tondeuse à fil au 1-800-313-5111 entre 8 h 00 et 17 h 00, HNE, ou envoyez vos courriels à [earthwise@reelin.com](mailto:earthwise@reelin.com).



## MANUEL DE L'UTILISATEUR TONDEUSE À FIL AUTONOME AU LITHIUM DE 58 VOLTS

### POLITIQUE DE GARANTIE

**Garantie limitée de cinq (5) ans sur l'équipement électrique d'extérieur Earthwise de 58 volts et garantie limitée de deux (2) ans sur les chargeurs et les blocs-batteries Earthwise de 58 volts.**

Earthwise garantit au propriétaire d'origine que tout nouveau produit et toute nouvelle pièce de remplacement est exempt (e) de défaut de matériau et de fabrication et s'engage en vertu de la présente garantie à réparer ou à remplacer tout produit défectueux ou toute pièce défectueuse à compter de la date d'achat d'origine pendant la période de garantie à l'exception des conditions et des circonstances indiquées ci-dessous.

Cette garantie s'applique seulement à l'acheteur d'origine dans un magasin de ventes au détail et ne peut être transférée.

La garantie s'applique si le produit est utilisé pour usage personnel, domestique ou familial. La garantie est nulle si le produit est utilisé à des fins commerciales, industrielles ou locatives.

La garantie n'inclut pas les réparations nécessaires à cause de la négligence ou de l'abus de l'opérateur (y compris la surcharge du produit au-delà de sa capacité ou son immersion dans l'eau), ou l'échec à assembler, opérer, entretenir ou entreposer le produit selon les instructions dans le manuel de l'opérateur.

Cette garantie n'est pas transférable et s'applique seulement au produit vendu directement d'un fournisseur autorisé. Cette garantie ne s'applique pas à tout produit, neuf ou usagé, acheté par le biais de canaux tiers non-autorisés.

TOUT DOMMAGE, PERTE OU FRAIS CONSÉCUTIF, INDIRECT OU CONSÉQUENT QUI POURRAIT RÉSULTER D'UN DÉFAUT, D'UNE DÉFAILLANCE OU D'UN DYS FONCTIONNEMENT DU PRODUIT N'EST PAS COUVERT PAR LA GARANTIE. Certains États ne permettent pas l'exclusion ou la limitation de la durée d'une garantie implicite. Les restrictions ci-dessus peuvent donc ne pas s'appliquer.

Les produits vendus endommagés ou incomplets, vendus « tels quels », ou vendus remis en état, ne sont pas couverts par cette garantie.

Les dommages ou responsabilités provoqués par le transport, une mauvaise manipulation, un mauvais assemblage, une tension ou un câblage incorrect, une mauvaise maintenance, une modification incorrecte ou l'utilisation d'accessoires ou d'outils non spécifiquement recommandés n'est pas couvert par cette garantie.

Les items consommables qui s'usent lors d'une utilisation normale ne sont pas couverts par la garantie.

La garantie ne couvre pas la détérioration normale de la finition extérieure, y compris, sans s'y limiter, aux égratignures, aux éclats de peinture entaillée ou à toute corrosion ou décoloration causée par la chaleur, les abrasifs et les nettoyants chimiques.

La garantie n'inclut pas l'installation, l'assemblage ou les réglages normaux expliqués dans le manuel de l'utilisateur.

Les frais de livraison du produit au vendeur ou les frais de retourner le produit ou les pièces de rechange au propriétaire ne sont pas couverts par la garantie.

La garantie ne couvre pas la détérioration normale de la finition extérieure, y compris, sans s'y limiter, aux égratignures, aux éclats de peinture entaillée ou à toute corrosion ou décoloration causée par la chaleur, les abrasifs et les nettoyants chimiques.

**Une preuve d'achat, original du reçu de vente daté, doit accompagner toute réclamation de garantie.**



The Great States Corporation  
American Lawn Mower Company  
830 Webster Street  
Shelbyville, IN 46176 États-Unis  
Téléphone 1-800-313-5111  
[www.earthwisetools.com](http://www.earthwisetools.com)

Dans le cadre d'un engagement permanent d'amélioration de la qualité, le fabricant se réserve le droit de modifier des pièces ou la conception de ce produit.