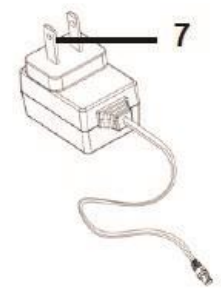
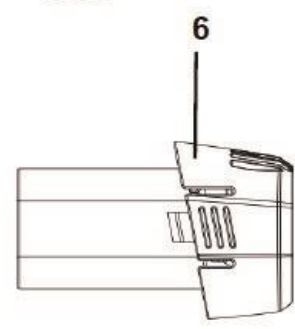
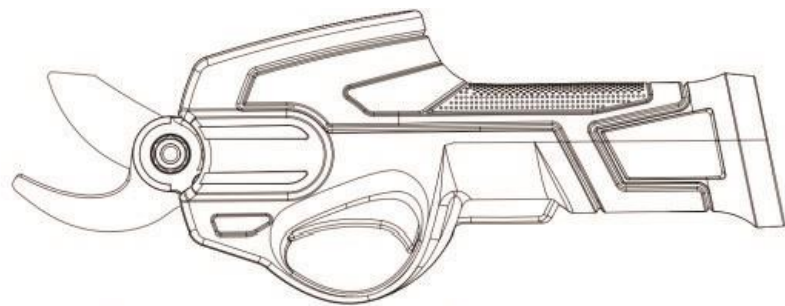
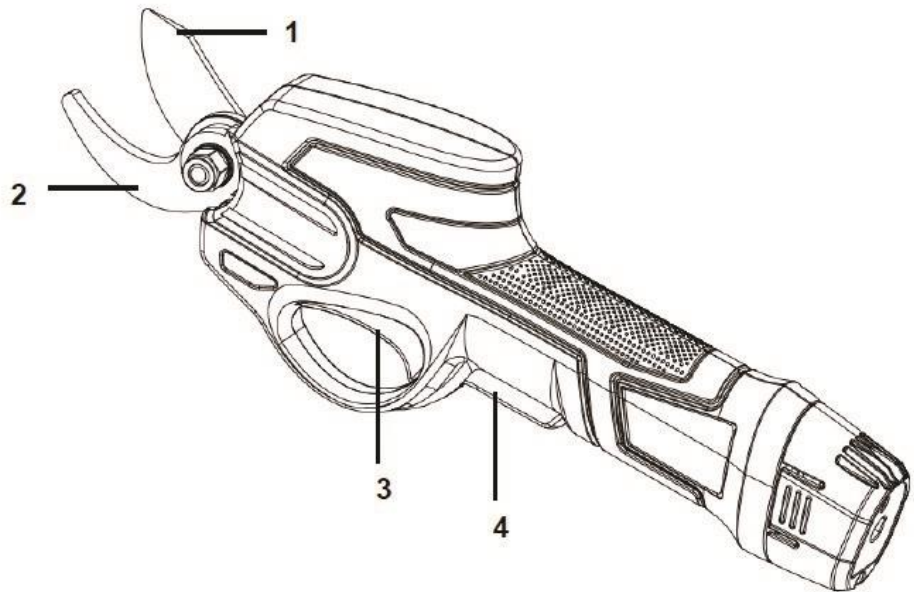


PARTS LIST



4
M
o
d
e
l
P

GENERAL INSTRUCTIONS

PACKING LIST

- Pruner
- Blade Guard
- Battery Charger
- Battery
- Owner's Manual

UNPACKING

Carefully remove the product from the box. Make sure that all items listed in the packing list are included. Inspect all items carefully to make sure no breakage or damage occurred during shipping.

Do not discard the packing material until you have carefully inspected and satisfactorily operated the tool.

WARNING: If any parts are damaged or missing please do not operate this product until the parts are replaced. Failure to heed this warning could result in serious personal injury. Call our customer service help line at 1-800-618-7474 for assistance.

BEFORE STARTING THE EQUIPMENT

INSTALLING THE BATTERY

Press the both side of the battery pack as shown in Fig.1 and push the battery pack into the mount provided. When the battery pack is positioned as in Fig. 2, make sure that the battery pack is locked in place! To remove the battery pack, proceed in reverse



4. The red LED charging indicator lights up to tell you that the battery pack is on charge. The battery is fully charged when the red LED is no longer lit, and green LED lights up.
 - During the charging process, it is normal for the battery pack to warm up.
 - Only charge the battery between 0°-37.8°C (32° - 100°F).
After prolonged use, allow the battery to cool down before recharging.
To ensure that the battery pack provides long service, you should take care to recharge it promptly. You must recharge the battery pack when you notice that the power of the cordless pruner drops. Never fully discharge the battery pack. This will cause battery damage.

STARTING AND STOPPING

Starting:

1. Push the safety lock button and press the on/off trigger switch at the same time.
2. Release the safety lock button.

Stopping:

1. Release the on/off trigger switch.