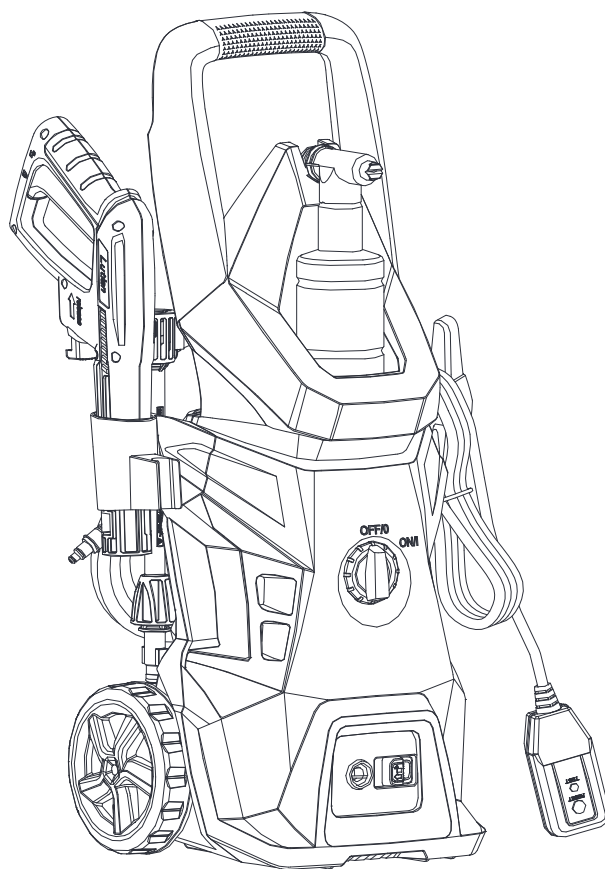




OWNER'S MANUAL ELECTRIC PRESSURE WASHER

Copyright All Rights Reserved.

Model PW190002



This product has been engineered and manufactured to our high standard for dependability, ease of operation, and operator safety. Properly cared for, it will give you years of rugged, trouble-free performance.



WARNING: To reduce the risk of injury, the user must read and understand the owner's manual before using this product.

Thank you for your purchase.

DO NOT RETURN THIS PRODUCT TO THE STORE. OPERATING, ASSEMBLY, PARTS, SERVICE QUESTIONS? GO TO AMERICANLAWNMOWER.COM OR CALL 1-800-633-1501. BETWEEN 8 AM – 5 PM EST, MONDAY-FRIDAY FOR ASSISTANCE.

SAVE THIS MANUAL FOR FUTURE REFERENCE



IMPORTANT SAFETY WARNINGS



TO REDUCE RISK OF INJURY: Before any use be sure everyone using this product reads and understands all safety instructions and other information contained in this manual.



CAUTION: Wear appropriate personal hearing protection during use. Under some conditions and duration of use, noise from this product may contribute to hearing loss.

Save these instructions and review frequently prior to use and in instructing others.



WARNING: When using electric appliances, basic safety precautions should always be followed to reduce risk of fire, electric shock, and personal injury, including the following:

READ ALL INSTRUCTIONS

GENERAL SAFETY

CHECK FOR DAMAGED PARTS - Before further use of the product, any part that is damaged should be carefully checked to determine that it will operate properly and perform its intended function. Check for alignment of moving parts, binding of moving parts, breakage of parts, mounting and any other condition that may affect its operation. Any part that is damaged should be properly repaired or replaced. For assistance call our customer service help line at 1-800-633-1501.

AVOID DANGEROUS ENVIRONMENTS - Do not operate in gaseous or explosive atmospheres. Motors in these products normally spark, and the sparks might ignite fumes.

KEEP CHILDREN AWAY - All visitors, children and pets should stay at a safe distance from the work area.

DRESS PROPERLY- Don't wear loose clothing or jewelry and wear protective hair covering to contain long hair. They can be caught in moving parts.

Wear safe, sturdy, nonskid footwear. Maintain good footing at all times, especially on slopes.

USE SAFETY GLASSES - Wear safety glasses with side shields or goggles that are marked to comply with ANSI Z87.1 standard when operating this product.



DOUBLE INSULATION – The pressure washer has double insulation. This means that all external metal parts are insulated from the electrical supply. This is achieved by introducing an insulation layer between electrical and mechanical parts. The double insulation guarantees you the greatest possible safety.



WARNING: Use outdoor extension cords marked SW-A, SOW-A, STW-A, STOW-A, SJW-A, SJTW-A, or SJTOWA. These cords are rated for outdoor use and reduce the risk of electric shock.

POLARIZED PLUGS-To reduce the risk of electric shock, this product has a polarized plug. Polarized connections will fit together only one way. Make sure that the receptacle end of the extension cord has large and small blade slot widths. If the plug does not fit fully into the extension cord, reverse the plug. If it still does not fit, obtain a suitable extension cord. If the extension cord does not fit fully into the outlet, contact a qualified electrician to install the proper outlet. Do not change the plug on the tool or the extension cord in any way.

EXTENSION CORD. Make sure your extension cord is in good condition. When using an extension cord be sure it is heavy enough to carry the current your product will draw. An undersized extension cord will cause a drop in line voltage resulting in loss of power and overheating. The following table shows the correct size to use depending on cord length and nameplate ampere rating. If in doubt, use the next heavier gage. The smaller the gage number, the heavier the cord.

Volts	Minimum Gage for Cord Sets			
	Total Length of cord in Feet			
120V	0-25	26-50	51-100	101-150
Ampere Rating	American wire Gage			
More Than	Not More Than			
0	6	18	16	14
6	10	18	16	12
10	12	16	14	12
12	16	14	12	Not Recommended

It is possible to tie two extension cords together in a knot to prevent them from becoming disconnected during use. Make the knot as shown, then connect the plug end of the power cord into the receptacle end of the extension cord. This method can also be used to tie two extension cords together.



Use one of the plug-receptacle retaining straps or connectors described in this manual.



WARNING: Keep all connections dry and off the ground. Do not touch plug with wet hands. Be aware of the extension cord while operating the pressure washer. Be careful not to trip on the cord.

To avoid personal injury and/or damage to property and to maximize your power washing experience, carefully follow all of the safety tips, instructions, warnings and safeguards and become familiar with all of the controls. Be sure you know how to quickly bleed off the pressure from all parts of your power washer, and how to turn off the power washer.

This power washer conforms to CSA and other safety and consumer standards. Do not modify or rebuild any part of your power washer.

GENERAL SAFETY

Do not use your power washer when you are under the influence of alcohol or drugs. Use this power tool carefully and only when you are alert.

Watch your balance and footing while using your power washer. Surfaces become slippery when wet and are extra slippery when using a detergent or cleaner.

Never operate the power washer in bare feet, sandals, or open-toed shoes.

When using the power washer near children make sure they are closely supervised by an adult to avoid injury. Never let a child use the power washer.

When you press the power switch to turn off the power washer, water pressure may remain in the system. To discharge the pressure, point the spray gun in a safe direction and pull the trigger.

Never spray flammable liquids.

Never use the power washer in areas that contain combustible dust, liquids or vapors.

Keep operating area clear of all persons.

Do not overreach or stand on unstable support. Keep good footing and balance at all times.

Follow the maintenance instructions specified in the manual.

Avoid contact of the pressure hose with sharp objects and examine the hose regularly. Replace if damaged. Due to the high pressure involved, it cannot be repaired if cut or damaged.

Power washer detergents are available at your local hardware store.

Protect eyes, lungs, and skin from exposure to detergent. Dish or laundry soap is too thick and will clog the nozzle of your detergent tank.



WARNING – Risk of Injection or Injury– Do Not Direct Discharge Stream At Persons.



WARNING: If Connection Is Made To A Potable Water System, The System Shall Be Protected Against Backflow.

Never use hot water with your power washer. It will overheat and damage the high pressure pump.

IMPORTANT: Store the power washer indoors to prevent the water in the unit from expanding under freezing conditions. When the water freezes and expands, your power washer will be damaged and become inoperable. After disconnecting the water supply and before disconnecting the high pressure hose, turn the pressure washer on for 2-3 seconds, and turn the unit off immediately.

Never leave the power washer unattended while it is powered “on”.

Always turn the water supply “on” before turning the power washer power to “on”. Running the pump dry will cause damage to the internal components.

Never use a water supply to your power washer that exceeds 150 psi maximum.

Keep fingers, hands, feet and any part of your body clear of the stream of high pressure water. The powerful spray can cause blindness or blast holes in the skin. It can break a window if you are too close when you pull the trigger on the spray gun.

Always wear eye protection to prevent injury to eyes when operating the power washer.

To avoid mishaps or injury, always use the trigger safety lock when not using the power washer even if the spraying stops for a moment.

The power washer is equipped with a Ground Fault Circuit Interrupter (GFCI) built into the power cord plug which greatly reduces the chance of electric shock while the unit is in use. If replacement Of the plug or cord Is needed, use only identical replacement Parts.

Point the spray gun in a safe direction when beginning a power washing session.

When first using the spray gun, hold the spray gun and lance with two hands when pulling the trigger until you get used to the “kick back” from the spray gun (one hand to pull the trigger and the other to stabilize the gun assembly).

Never disconnect the high pressure hose from the power washer while the system is pressurized.

Never permanently engage the trigger mechanisms on the spray gun.

Never operate the power washer unless all components are properly and securely connected.

Never allow the power washer pump to run for more than one minute, after you have contain combustible dust, liquids or vapors. turned off the water supply. This can cause the motor and pump to overheat and fail.

Never use lances or other parts that have not been supplied with your power washer.

Never spray any electrical outlet with your power washer.



WARNING: California Proposition 65:

This product contains chemicals known to the State of California to cause cancer, birth defects or other reproductive harm.



WARNING: Cancer and Reproductive Harm - www.P65Warnings.ca.gov.

PRODUCT SPECIFICATIONS

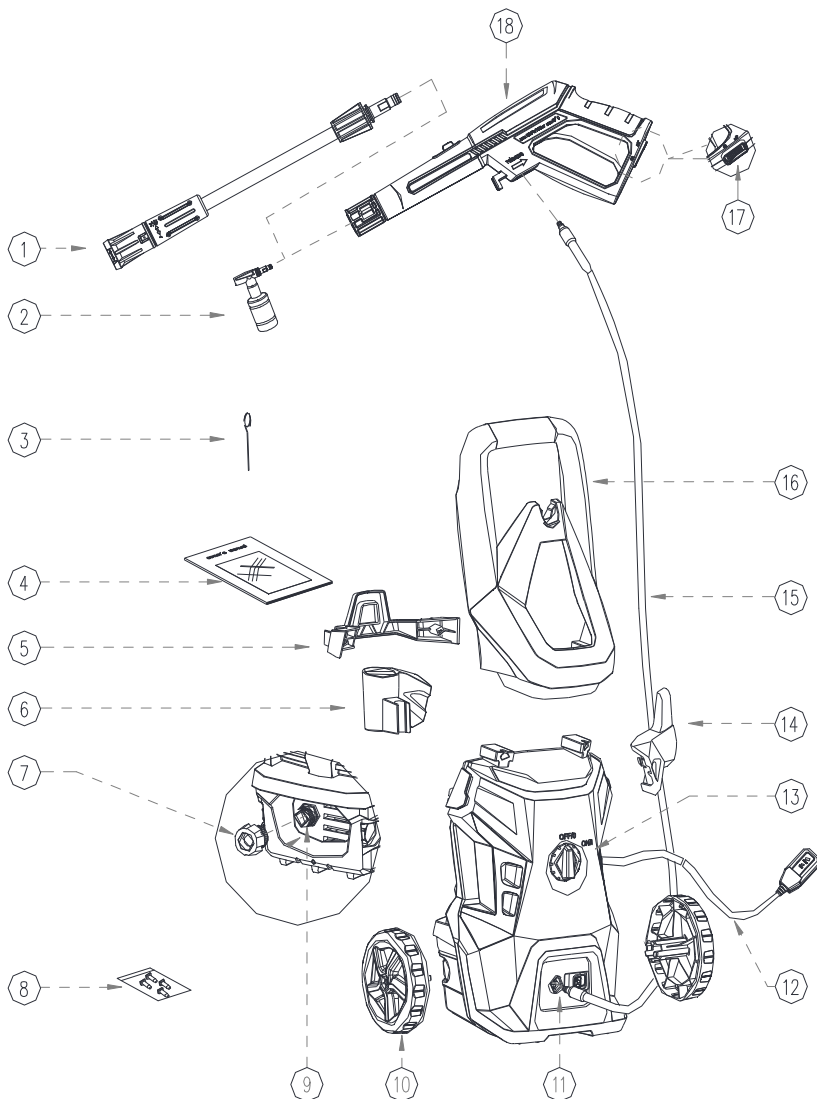
Model: PW190002

Input: 120V~60HZ, 13A
 Rated pressure: 1500 PSI
 Weight: 17.2 lbs

Max. water inlet pressure: 170 PSI
 Max. pressure: 1900 PSI
 Rated flow: 1.45 GPM

PARTS LIST

No.	Description	No.	Description	No.	Description	No.	Description
1	Adjustable nozzle	6	Gun holder	11	Water outlet pipe	16	Handle
2	Detergent bottle	7	Water inlet connector	12	Power cord with GFCI	17	Lock-off switch
3	Cleaning pin	8	Screw package	13	ON/OFF switch	18	Gun
4	Owner's manual	9	Water inlet pipe	14	Power cable hook		
5	Accessories holder	10	Wheel	15	High pressure hose		



ASSEMBLY

UNPACKING

This product requires assembly.

Carefully remove everything from the box. Make sure that all items listed in the packing list are included.

Inspect all items carefully to make sure no breakage or damage occurred during shipping.

Do not discard the packing material until you have carefully inspected and satisfactorily operated the pressure washer.

PACKING LIST

- Pressure Washer
- Gun & Lance with Adjustable Nozzle
- Detergent Bottle
- Gun Holder, Power Cable Hook and Connector
- Owner's Manual (with nozzle cleaning pin attached & Hardware Bag)
- Accessory Holder
- Wheels
- Handle

TO SET UP PRESSURE WASHER (Fig 1 - Fig 7)

- Install gun holder and power cord hook onto the pressure washer by following the arrow direction as shown below.
- Align the wheels on each side with the slots on the unit, and push them inwards to lock the wheels in place.
- Line up the holes on accessory holder with holes on the unit. And use a screwdriver to secure two provided screws by turning clockwise. (Fig. 1)

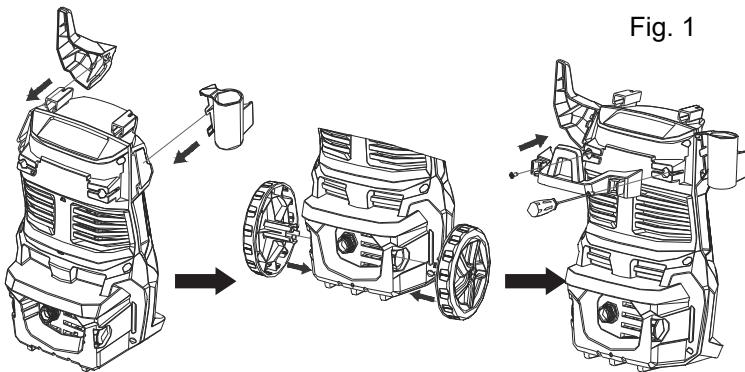


Fig. 1

- Screw the handle tightly onto the main body.(Fig. 2)

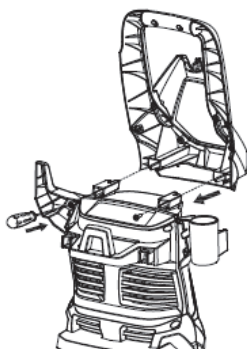


Fig. 2

- Attach the high pressure hose to the pressure water outlet of the machine. (Fig. 3)

NOTE: Push button to remove the hose.

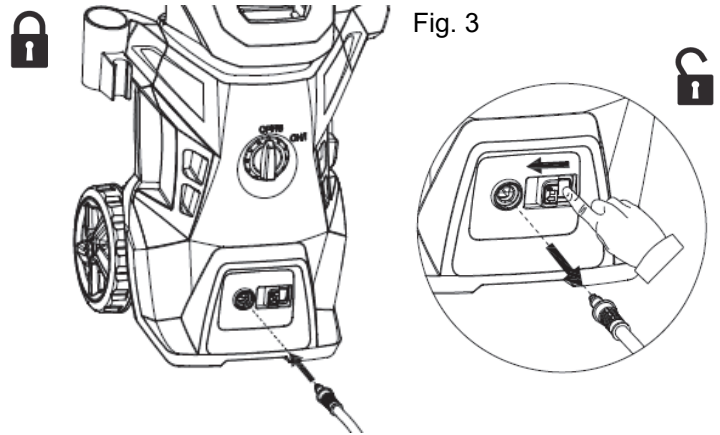
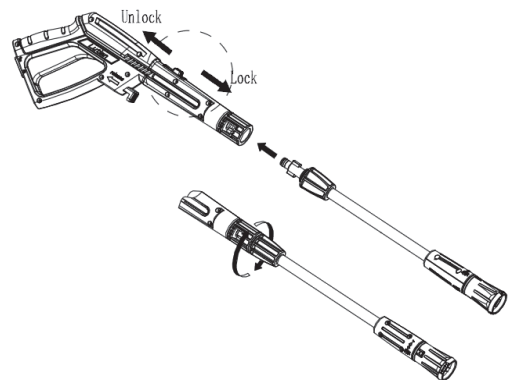


Fig. 3

- Insert High/Low pressure spray lance into gun, push them together and at the same time twist clockwise to lock in place.
- Remove the connected gun and spray lance by twisting it counter-clockwise, and then pull them apart. (Fig. 4)

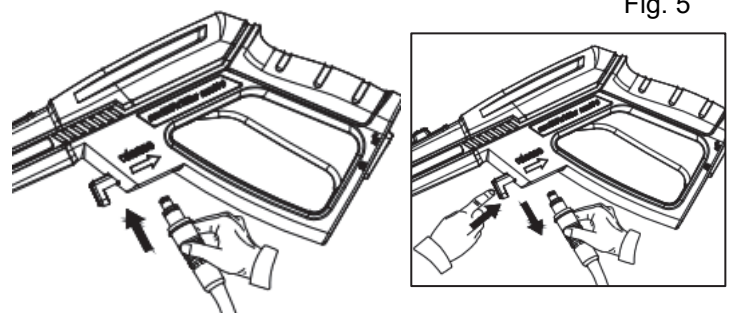
NOTE: The gun sliding button for rotary function should be in lock position before connecting High/Low pressure lance to spray gun, or the High/Low pressure spray lance will rotate meanwhile. Please review " locking " method as shown below.

Fig. 4



- Insert the high pressure hose into gun handle directly and make sure it is firmly connected. Push hose release button and pull downward on hose to disconnect. (Fig. 5)

Fig. 5

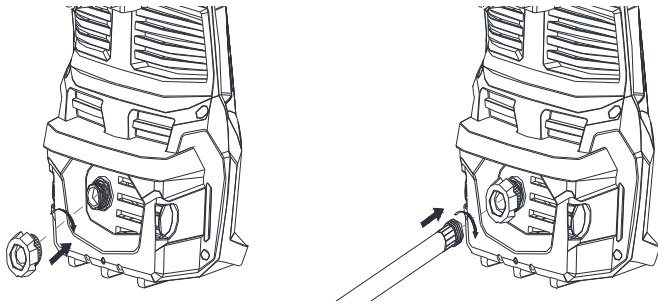


ASSEMBLY

- Securely attach the home garden hose (not supplied) to the water inlet fitting (located at bottom of the unit). Connect the garden hose to water supply. (Fig. 6)

WARNING: The appliance is **INTENDED** to be used at a temperature above 0 degree.

Fig. 6



TO START PRESSURE WASHER (Fig. 7)

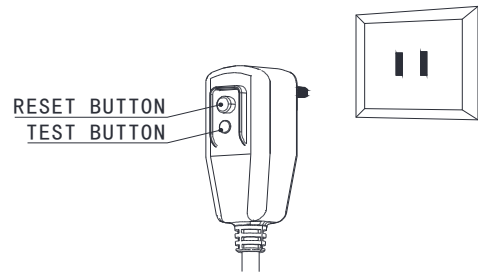
- Plug the pressure washer into the power outlet.
- Press TEST button, power will be cut and indicator will be OFF. Do not use if test fails.

We recommend you to press the test button every time before using pressure washer to ensure the protection works.

- Press the reset button, and the indicator will illuminate, which means you are ready to use.

NOTE: To maintain good function of GFCI, please implement it once a month.

Fig. 7



OPERATING

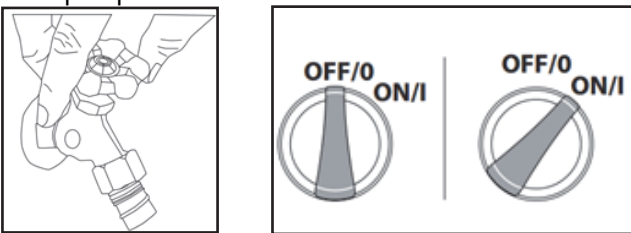
TO WASH WITH WATER

- Turn on the water supply tap.

Connect the washer to the power supply and turn the switch to "ON/I" position. Then press trigger.

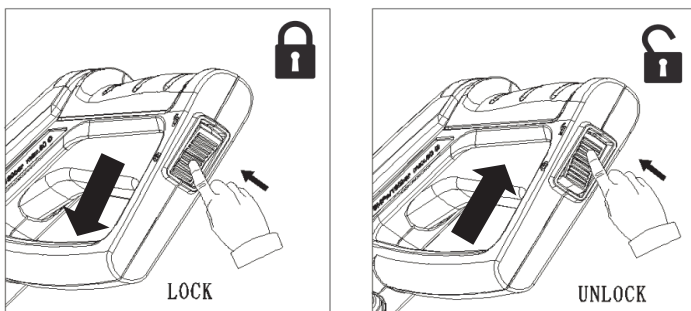
NOTE: Before pressing trigger, make sure lock-off switch is in "unlock" position.

WARNING: Do not start the machine without connecting and turning on the water supply because it may cause damage to high pressure seals and reduce the service life of pump.



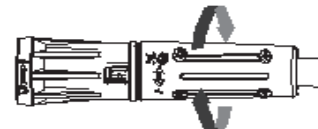
- Release the trigger and turn the switch to "OFF/O" position. Turn off the water supply tap.

NOTE: When not in use, make sure Lock-off switch is in "Lock" position.



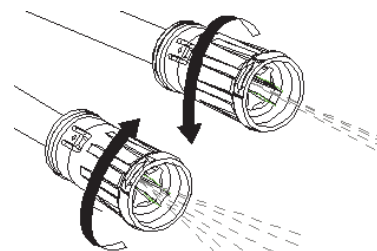
- Adjust the High/Low pressure nozzle setting to high pressure, pull the trigger, and high pressure water flow will come out. You could rotate the High/Low pressure nozzle collar to change it from a fine point spray to a wind fan spray. (Fig. 8 - 10)

Fig. 8 Low pressure setting



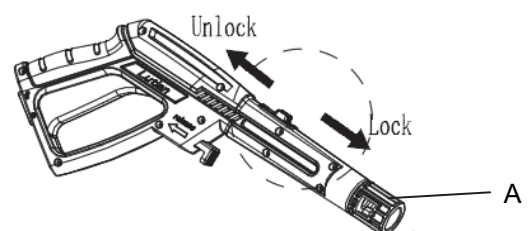
High pressure setting

Fig. 9



At same time, you can push sliding button on the gun to unlock to change fan spray's direction by rotating High/Low pressure nozzle (A).

Fig. 10



OPERATING

The angle of spray is smaller, but the water outlet pressure is higher, and the material of surface to be cleaned should be tough enough to support higher pressure water.

Detail of intended use see items (1) ~ (4) below:

(1) Fine spot spray means delivering a high-pressure. Pencil-point jet stream is used to wash heavy dirty deposits in a small and concentrated area. It is ideal for dissolving stubborn substances, like tar and grease spots on concrete, or for removing caked mud from equipment. It is also used to clean hard-to-reach areas including the facades of 2-story buildings or undersides of lawn mowers and tractors.

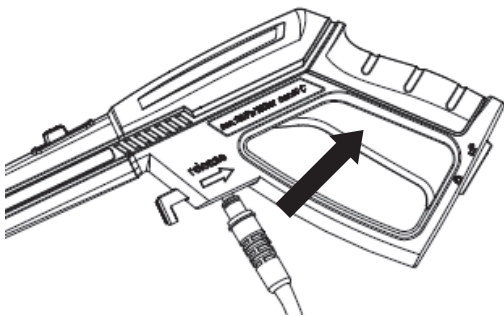
NOTE: Care should be taken when setting nozzle spray to avoid permanently gouging wood or damaging fragile surfaces.

(2) Setting to 15° or so fan spray for intensive cleaning jobs on hard surfaces that can withstand the high-pressure. Applications include stripping paint, removing oil stains, grease, heavy mildew stains, and rust from steel.

(3) Setting to 25° or so fan spray for cleaning home siding, brick patios, wood decks, driveways, sidewalks, cars or furniture.

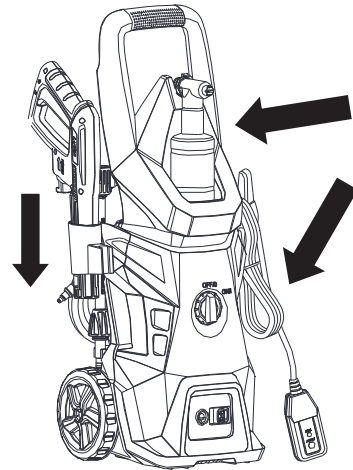
(4) Setting to 40° or so fan spray for cleaning items such as cars, trucks, boats, patio furniture, or lawn equipment.

4. When you finish your clean job turn the switch to "OFF/O" position.
5. Press the "test" button on the GFCI, and unplug the power plug. This must be done each time the unit is in maintenance.
6. Turn off the water supply.
7. After motor and water supply are turned off, trigger spray gun to depressurize system.



8. Lock the trigger and put the spray gun, power cable, detergent bottle and high pressure hose. (Fig 11)

Fig. 11



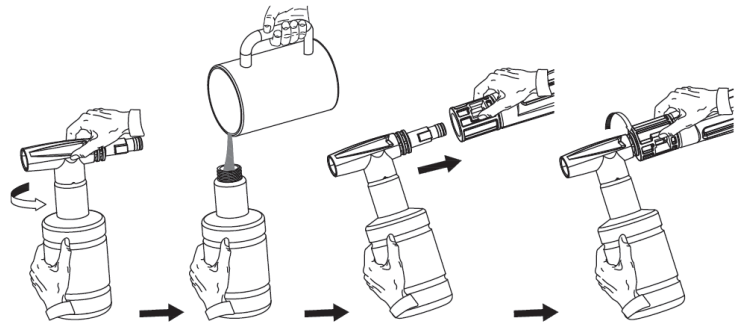
CAUTION: NEVER using pressure washer after water supply is turned off. Serious damage could occur to the pump and /or motor.

WARNING: NEVER disconnect high pressure discharge hose from machine while system is pressurized. To depressurize, turn motor off, turn water supply off and squeeze gun trigger 2-3 times.

9. After each use, wipe all surfaces of the pressure washer with a clean and damp cloth.

TO WASH WITH DETERGENT

1. Fill it with a properly formulated detergent or cleaner with a water ratio according to instructions on the container. Connect nozzle to lance.



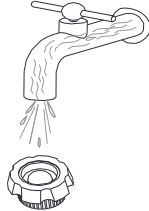
2. Squeeze the trigger, and detergent will come out through the detergent bottle nozzle.
3. Apply detergent so it thoroughly covers cleaning surface.
4. Allow detergent to remain on the surface for a few minutes. This is a good time to use a brush to lightly scrub heavily soiled areas.
5. Change to spray nozzle to rinse detergent from surface.
6. Cleaning up: always draw fresh water through the detergent bottle when done to flush any remaining detergents from the injection system. The bottle could be detached if necessary during this process.

MAINTENANCE

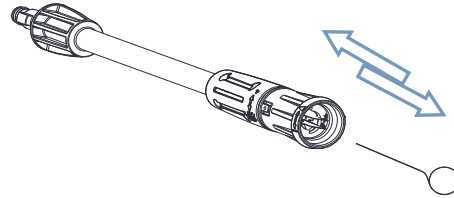
WATER FILTER AND NOZZLE CLEANING INSTRUCTIONS

A clogged or partially clogged water filter or nozzle can cause significant reduction of water pressure coming out of the nozzle and/or cause the unit to pulsate while spraying.

1. The water filter was installed inside the water inlet quick connector, and should be cleaned periodically. Rinse it with clean tap water, and then place it back into the water inlet quick connector .



2. Using the nozzle tip cleaner provided (or an unfold paper clip), insert the pin into the nozzle hole and move back and forth until debris is dislodged. Back flush water through the nozzles using garden hose and highest pressure available (either standard water nozzle or use your thumb over the nozzle to create water pressure for back flush).



TROUBLESHOOTING

Problem	Possible causes	Remedy
Motor does not start	The switch is in the OFF position. Power cord not plugged in. Electrical outlet does not supply adequate power The trigger of the water gun is not engaged. GFCI plug not reset.	Turn switch on. Plug in the power cord. Try another outlet. Engage the trigger of the water gun. Press reset button on GFCI plug.
Motor stops suddenly	Thermal safety switch has tripped due to overheating.	Check the main voltage corresponds to specification.
Unit does not reach high pressure	Water inlet filter is clogged. Not enough inlet water supply. Water supply is restricted. Pump is sucking air from connections or hoses. Valves are clogged or worn out	Check the water inlet filter. Open water source full force. Check garden hose for kinks. Check that all supply connections are tight. Call our customer service help line at 1-800-633-1501 for assistance.
Outlet pressure fluctuates	Pump is sucking air. Water inlet filter is clogged. Not enough water inlet supply. Valves dirty, worn out or stuck. Pump seals are worn out.	Check hoses and connections are air tight. Turn off the machine and purge pump by triggering the gun until you get a steady flow of water. Clean the water inlet filter. Open water source full force. Call our customer service help line at 1-800-633-1501 for assistance.
Water leaking from pump	Pump seals are worn out.	Call our customer service help line at 1-800-633-1501 for assistance.
Detergent is not dispensing	Incorrect nozzle is installed on the lance. Nozzle is clogged with debris.	Install soap dispensing nozzle. Disconnect the spray lance from the gun handle, clean with nozzle cleaning pin and flush with water.
Low pressure	Faucet not fully open or unit is not receiving a full volume of water.	Open the faucet all the way. Check garden hose for kinks. Clean the inlet filter.
Unit will not stop when trigger is released.	Gun is malfunctioning.	Disconnect unit from power source. Call our customer service help line at 1-800-633-1501 for assistance.

PARTS AND SERVICE

SERVICE

For parts or service, please call 1-800-633-1501 or visit us online at americanlawnmower.com. Be sure to provide all relevant information when you call or visit.

REPAIR PARTS

The model number of this tool is found on a plate or label attached to the housing. Please record the serial number in the space provided below.

- NAME OF ITEM Pressure Washer
- MODEL NUMBER PW190002
- SERIAL NUMBER _____

Always mention the model number when ordering kits/items for this tool.

No.	Kit/Item Number	Description	QTY
1	PW190002-ALK	Adjustable Lance Kit	1
2	PW190002-HK	Hose Kit	1
3	PW190002-TLK	Turbo Lance Kit	1
4	PW190002-WK	Wheel Kit	1
5	PW190002-HWK	Hardware Kit	1
6	PW190002/PW20502B-GHC	Garden Hose Connector Kit	1
7	PW190002/PW20502B-FBK	Fix Brush Kit	1
8	PW190002/PW20502B-HBK	Hub Brush Kit	1
9	PW190002/PW20502B-FCK	Foam Cannon Kit	1

CALL US FIRST !!

Call us first with questions about operating or maintaining your product at 1-800-633-1501 between 8:00 a.m. – 5:00 p.m. Eastern Standard Time, or get assistance on americanlawnmower.com.



OWNER'S MANUAL ELECTRIC PRESSURE WASHER

Copyright All Rights Reserved.

WARRANTY POLICY

One (1) year limited warranty on Earthwise outdoor power equipment.

Earthwise warrants to the original owner that each new product and service part is free from defects in materials and workmanship and agrees to repair or replace any defective product or part for the warranty period as stated above from the original date of purchase except for the conditions and circumstances listed below:

This warranty applies only to the original purchaser at retail and may not be transferred.

Warranty applies if the product is used for personal, household or family use. Warranty is void if product is used for commercial, industrial or rental purposes.

Warranty does not include repairs necessary due to operator's abuse or negligence (including overloading the product beyond capacity or immersion in water), or the failure to assemble, operate, maintain or store the product according to the instructions in the owner's manual.

This warranty is not transferable and only applies to product sold directly from an authorized retailer. This warranty does not apply to any product, new or used, purchased through unauthorized third-party channels.

ANY INCIDENTAL, INDIRECT OR CONSEQUENTIAL LOSS, DAMAGE, OR EXPENSE THAT MAY RESULT FROM ANY DEFECT, FAILURE OR MALFUNCTION OF THE PRODUCT IS NOT COVERED BY THE WARRANTY. Some states do not allow the exclusion or limitation on how long an implied warranty lasts, so the above limitation may not apply to you.

Proof of purchase, original dated sales receipt, must accompany all warranty claims.

Products sold damaged or incomplete, sold "as is", or sold as reconditioned are not covered under the warranty.

Damage or liability caused by shipping, improper handling, improper assembly, incorrect voltage, improper wiring, improper maintenance, improper modification or the use of accessories and/or attachments not specifically recommended is not covered by this warranty.

Expendable items that become worn during normal use are not covered by the warranty.

Warranty does not cover damage caused by cold, heat, rain, excessive humidity, corrosive environments and materials, or other contaminants.

Warranty does not include installation, assembly or normal adjustments explained in the owner's manual.

The expense of delivering the product to the vendor and the expense of returning the product or replacement parts to the owner is not covered by the warranty.

The warranty does not cover normal deterioration of the exterior finish, including but not limited to scratches, dents, paint chips or any corrosion or discoloration caused by heat, abrasive and chemical cleaners.



American Lawn Mower Company
The Great States Corporation
7444 Shadeland Station Way,
Indianapolis, IN 46256
Phone 1-800-633-1501
www.americanlawnmower.com

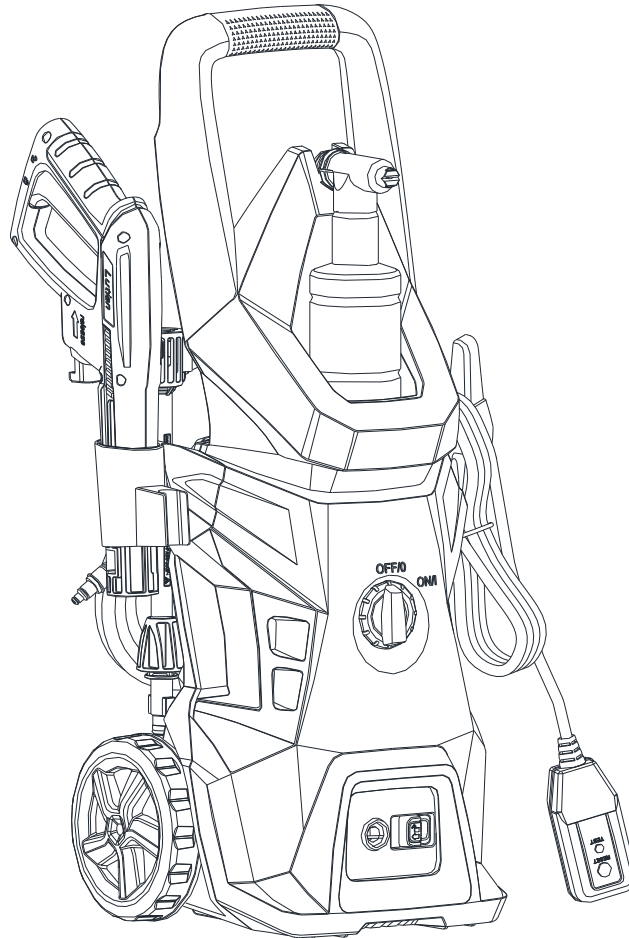
In a continued commitment to improve quality, the Manufacturer reserves the right to make component changes or design changes when necessary.



MANUAL DEL PROPIETARIO LAVADORA A PRESION ELECTRICA

Todos los derechos reservados.

Modelo PW190002



Este producto ha sido diseñado y fabricado según nuestros altos estándares para brindar confiabilidad, facilidad de operación y seguridad para el operador. Si se cuida adecuadamente, le brindará años de rendimiento resistente y sin problemas.



ADVERTENCIA: Para reducir el riesgo de lesiones, el usuario debe leer y comprender el manual del propietario antes de usar este producto.

Gracias por su compra.

NO DEVUELVA ESTE PRODUCTO A LA TIENDA. FUNCIONAMIENTO, MONTAJE, PIEZAS, PREGUNTAS DE SERVICIO? VAYA A AMERICANLAWNMOWER.COM O LLAME AL 1-800-633-1501. ENTRE LAS 8 AM Y LAS 5 PM EST, DE LUNES A VIERNES PARA OBTENER AYUDA.

GUARDE ESTE MANUAL PARA FUTURAS CONSULTAS



ADVERTENCIAS DE SEGURIDAD IMPORTANTES



- PARA REDUCIR EL RIESGO DE LESIONES:** Antes de utilizar este producto, cerciórese de que todos los usuarios lean y comprendan las instrucciones de seguridad y la demás información incluida en este manual.
- PRECAUCIÓN:** Use protección auditiva apropiada mientras trabaja. En ciertas condiciones y con cierta duración de uso, el ruido generado por este producto puede contribuir a la pérdida de la audición.
- Guarde estas instrucciones y revíselas con frecuencia antes de usar la herramienta y para impartirlas a otros.
- ADVERTENCIA:** Al utilizar aparatos eléctricos, se recomienda respetar siempre las precauciones de seguridad básicas que se detallan a continuación, a fin de reducir riesgos de incendios, descargas eléctricas y lesiones personales.

LEA TODAS LAS INSTRUCCIONES

NORMAS GENERALES DE SEGURIDAD

CONTROLE SI HAY PIEZAS DAÑADAS. Antes de seguir usando el producto, se deberán revisar las piezas dañadas en forma exhaustiva para determinar si la herramienta funcionará correctamente y realizará el trabajo previsto. Compruebe la alineación y las uniones de las piezas móviles, el montaje, averías de componentes y otros factores que puedan afectar el funcionamiento. Se debe reparar o reemplazar cualquier pieza dañada en forma adecuada. Para recibir asistencia, comuníquese con nuestra línea de ayuda de atención al cliente al 1-800-633-1501.

EVITE AMBIENTES PELIGROSOS. No trabaje en entornos donde existan gases o sustancias explosivas. Por lo general, los motores de estos productos producen chispas que podrían inflamar los gases.

MANTENGA ALEJADOS A LOS NIÑOS. Todos los visitantes, niños y mascotas deben mantenerse a una distancia segura de la zona de trabajo.

USE ROPA ADECUADA. No use prendas sueltas ni artículos de joyería. Use protección para cubrir y sujetar el cabello largo, ya que puede quedar atrapado en las piezas móviles.

Use calzado seguro, resistente y antideslizante. En todo momento mantenga una buena base de apoyo, especialmente en pendientes.

USE GAFAS DE SEGURIDAD. Al trabajar con este producto, use gafas de seguridad con protectores laterales que cumplan con la norma ANSI Z87.1.

- DOBLE AISLAMIENTO.** La hidrolimpiadora tiene doble aislamiento. Esto significa que todas las partes metálicas externas están aisladas del suministro eléctrico. Esto se logra mediante la introducción de una capa de aislamiento entre las partes eléctricas y mecánicas. El doble aislamiento le garantiza la mayor seguridad posible.

- ADVERTENCIA:** Use cables de extensión para exteriores rotulados con las siguientes inscripciones: SW-A, SOW-A, STW-A, STOW-A, SJW-A, SJTW-A, o SJTOWA. Estos cables están especificados para usar al aire libre y reducir el riesgo de descarga eléctrica.

ENCHUFES POLARIZADOS. Para reducir el riesgo de descarga eléctrica, este producto tiene un enchufe polarizado. Las conexiones polarizadas encajan de una sola manera. Cerciórese de que el extremo del receptáculo del cable de extensión tenga ranuras de anchos diferentes para los contactos. Invierta el enchufe si no encaja totalmente en el cable de extensión. Si aún así no encaja, consiga un cable de extensión adecuado. Si el cable de extensión no se adapta bien al tomacorriente, llame a un electricista competente para que instale un tomacorriente adecuado. No modifique el enchufe de la herramienta ni el cable de extensión de ningún modo.

CABLE DE EXTENSIÓN. Asegúrese de que el cable de extensión esté en buenas condiciones. Además, compruebe que tenga el grosor suficiente para transportar la corriente que necesitará el producto. Un cable de extensión muy pequeño provocará una disminución en la tensión de la línea y, como resultado, una pérdida de potencia y recalentamiento. La siguiente tabla muestra el tamaño correcto que se debe usar según la longitud del cable y el amperaje de la etiqueta. Ante la duda, utilice el siguiente calibre más grueso. Cuanto más bajo es el número de calibre, más grueso es el cable.

Voltios	Calibre mínimo para los cables			
	Longitud total del cable en pies			
120V	0-25	26-50	51-100	101-150
Amperaje	Más de	No más de	Calibre AWG	
0	- 6	18	16	16 14
6	- 10	18	16	14 12
10	- 12	16	16	14 12
12	- 16	14	12	No se recomienda

Es posible unir dos cables de extensión con un nudo para evitar que se desconecten durante el uso. Realice el nudo como se muestra en la imagen y luego conecte el enchufe del cable de alimentación en el receptáculo del cable de extensión. Utilice una de las correas de sujeción del receptáculo o Conectores descritos en este manual.

- ADVERTENCIA:** Mantenga todas las conexiones secas y alejadas del suelo. No toque el enchufe con las manos mojadas. Tenga presente el cable de extensión mientras opera la sopladora de nieve. Tenga cuidado de no tropezar con el cable y manténgalo siempre alejado de la barrena.



Para evitar lesiones personales y / o daños a la propiedad y para maximizar su experiencia de lavado a presión, siga cuidadosamente todos los consejos de seguridad, instrucciones, advertencias y salvaguardias y familiarícese con todos los controles. Asegúrese de saber cómo purgar rápidamente la presión de todas las partes de su hidrolavadora y cómo apagarla.

Esta hidrolavadora cumple con CSA y otras normas de seguridad y del consumidor. No modifique ni reconstruya ninguna parte de su hidrolavadora.

GENERAL SAFETY

No use su hidrolavadora cuando esté bajo la influencia de alcohol o drogas. Utilice esta herramienta eléctrica con cuidado y solo cuando esté alerta.

Vigile su equilibrio y equilibrio mientras usa su hidrolavadora. Las superficies se vuelven resbaladizas cuando están mojadas y son más resbaladizas cuando se usa un detergente o limpiador.

Nunca opere la hidrolavadora descalzo, con sandalias o con zapatos abiertos.

Cuando utilice la hidrolavadora cerca de niños, asegúrese de que estén supervisados de cerca por un adulto para evitar lesiones. Nunca permita que un niño use la hidrolavadora.

Cuando presiona el interruptor de encendido para apagar la hidrolavadora, la presión del agua puede permanecer en el sistema. Para descargar la presión, apunte la pistola rociadora en una dirección segura y apriete el gatillo.

Nunca rocíe líquidos inflamables.

Nunca use la hidrolavadora en áreas que contengan polvo, líquidos o vapores combustibles.

Mantenga el área de operación libre de personas.


No se estire ni se pare sobre un soporte inestable. Mantenga una buena posición y equilibrio en todo momento.


Siga las instrucciones de mantenimiento especificadas en el manual.

Evite el contacto de la manguera de presión con objetos afilados y examine la manguera con regularidad. Reemplácelo si está dañado. Debido a la alta presión involucrada, no se puede reparar si se corta o se daña.

Los detergentes para lavadoras a presión están disponibles en su ferretería local.

Proteja los ojos, los pulmones y la piel de la exposición al detergente. El jabón para lavar platos o para lavar es demasiado espeso y obstruirá la boquilla del tanque de detergente.

 **ADVERTENCIA** – Riesgo de inyección o lesión – No dirija la corriente de descarga hacia las personas.

 **ADVERTENCIA:** Si la conexión se realiza a un sistema de agua potable, el sistema estará protegido contra reflujo.

Nunca use agua caliente con su hidrolavadora. Se sobrecalentará y dañará la bomba de alta presión.

IMPORTANTE: Guarde la hidrolavadora en interiores para evitar que el agua de la unidad se expanda en condiciones de congelación. Cuando el agua se congela y se expande, su hidrolavadora se dañará y dejará de funcionar. Después de desconectar el suministro de agua y antes de desconectar la manguera de alta presión, encienda la lavadora a presión durante 2-3 segundos y apague la unidad inmediatamente.

Nunca deje la hidrolavadora desatendida mientras esté encendida.

Siempre encienda el suministro de agua antes de encender la lavadora a presión. Hacer funcionar la bomba en seco dañará los componentes internos.

Nunca use un suministro de agua para su hidrolavadora que exceda los 150 psi como máximo.

Mantenga los dedos, manos, pies y cualquier parte de su cuerpo alejados del chorro de agua a alta presión. El poderoso aerosol puede causar ceguera o perforaciones en la piel. Puede romper una ventana si está demasiado cerca cuando aprieta el gatillo de la pistola rociadora.

Utilice siempre protección para los ojos para evitar lesiones en los ojos cuando utilice la hidrolavadora.

Para evitar contratiempos o lesiones, utilice siempre el seguro del gatillo cuando no utilice la hidrolavadora, incluso si la pulverización se detiene por un momento.

La hidrolavadora está equipada con un interruptor de circuito de falla a tierra (GFCI) integrado en el enchufe del cable de alimentación que reduce en gran medida la posibilidad de descarga eléctrica mientras la unidad está en uso. Si es necesario reemplazar el enchufe o el cable, use solo piezas de repuesto idénticas.

Apunte la pistola rociadora en una dirección segura al comenzar una sesión de lavado a presión.

Cuando utilice la pistola rociadora por primera vez, sostenga la pistola rociadora y la lanza con las dos manos cuando apriete el gatillo hasta que se acostumbre al "retroceso" de la pistola rociadora (una mano para apretar el gatillo y la otra para estabilizar el conjunto de la pistola) .

Nunca desconecte la manguera de alta presión de la hidrolavadora mientras el sistema esté presurizado.

Nunca active permanentemente los mecanismos de gatillo de la pistola rociadora.

Nunca opere la hidrolavadora a menos que todos los componentes estén conectados de manera adecuada y segura.

Nunca permita que la bomba de la hidrolimpiadora funcione durante más de un minuto, después de haber contenido polvo, líquidos o vapores combustibles. Cortó el suministro de agua. Esto puede hacer que el motor y la bomba se sobrecalienten y fallen.

Nunca use lanzas u otras piezas que no se hayan suministrado con su hidrolavadora.

Nunca rocíe ningún enchufe eléctrico con su hidrolavadora.



ADVERTENCIA: Proposición 65 de California:

Este producto contiene sustancias químicas reconocidas en el estado de California como causantes de cáncer, defectos de nacimiento u otros daños reproductivos.



ADVERTENCIA: Cáncer y daños reproductivos:
www.P65Warnings.ca.gov.

ESPECIFICACIONES DEL PRODUCTO

Modelo: PW190002

Voltaje del suministro eléctrico: 120V~60HZ, 13A

Max. presión de entrada de agua: 170 PSI

Presión nominal: 1500 PSI

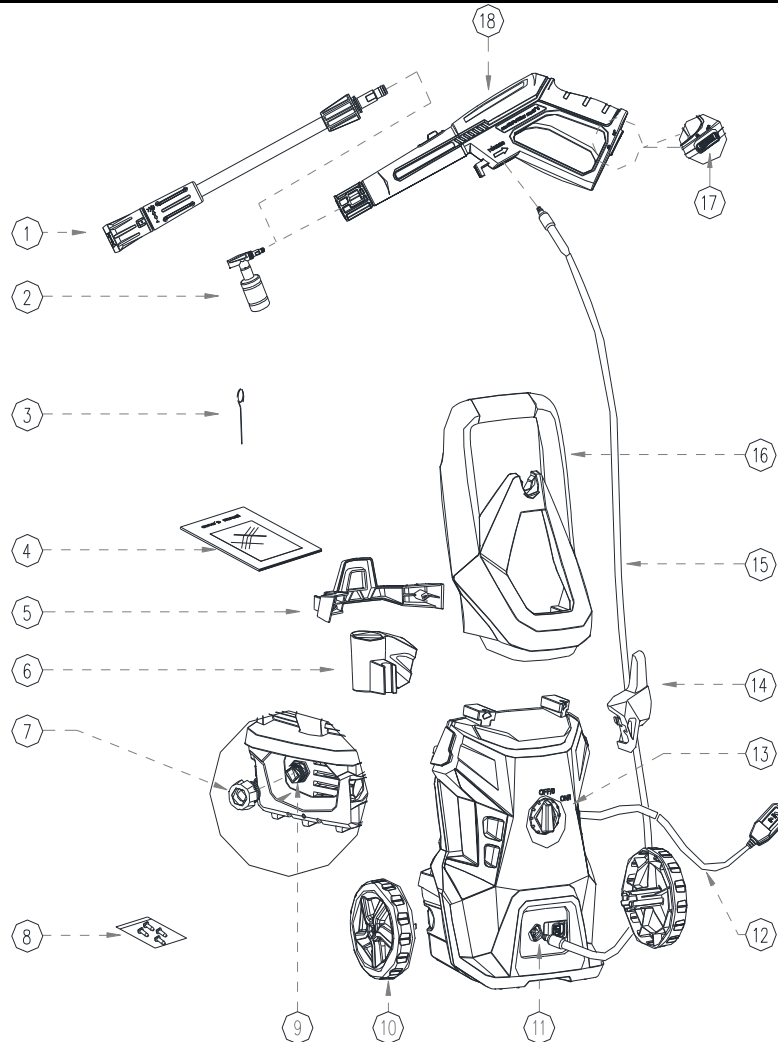
Max. presión: 1900 PSI

Peso: 7.8 kg (17.2 lbs)

Flujo nominal: 1.45 GPM

LISTA DE PARTES

Ref.	Descripción	Ref.	Descripción	Ref.	Descripción	Ref.	Descripción
1	Boquilla ajustable	6	Soporte de pistola	11	Tubo de salida de agua	16	Encargarse de
2	Botella de detergente	7	Conector de entrada de agua	12	Cable de alimentación con GFCI	17	Interruptor de bloqueo
3	Pasador de limpieza	8	Paquete de tornillos	13	Interruptor encendido / apagado	18	Pistola
4	El manual del propietario	9	Tubería de entrada de agua	14	Gancho para cable de alimentación		
5	Soporte de accesorios	10	Rueda	15	Manguera de alta presión		



MONTAJE

DESEMBALAJE

Este producto requiere montaje.

Saque con cuidado todo de la caja. Asegúrese de que se incluyan todos los elementos enumerados en la lista de empaque.

Inspeccione todos los artículos con cuidado para asegurarse de que no se hayan producido roturas o daños durante el envío.

No deseche el material de empaque hasta que haya inspeccionado cuidadosamente y haya operado satisfactoriamente la lavadora a presión.

LISTA DE EMPAQUE

- Lavadora a presión
- Pistola y lanza con boquilla ajustable
- Botella de detergente
- Soporte para pistola y gancho para cable de alimentación
- Manual del propietario (con pasador de limpieza de boquillas adjunto y bolsa de hardware)
- Titular de accesorios
- Ruedas
- Encargarse de

PARA CONFIGURAR LA LAVADORA A PRESIÓN

(Fig. 1 - Fig. 7)

- Instale el soporte de la pistola y el gancho del cable de alimentación en la lavadora a presión siguiendo la dirección de la flecha como se muestra a continuación.
- Alinee las ruedas de cada lado con las ranuras de la unidad y empújelas hacia adentro para bloquear las ruedas en su lugar.
- Line up the holes on accessory holder with holes on the unit. Y use un destornillador para asegurar los dos tornillos provistos girando en el sentido de las agujas del reloj. (Fig. 1)
- Atornille el mango firmemente en el cuerpo principal (Fig. 2)

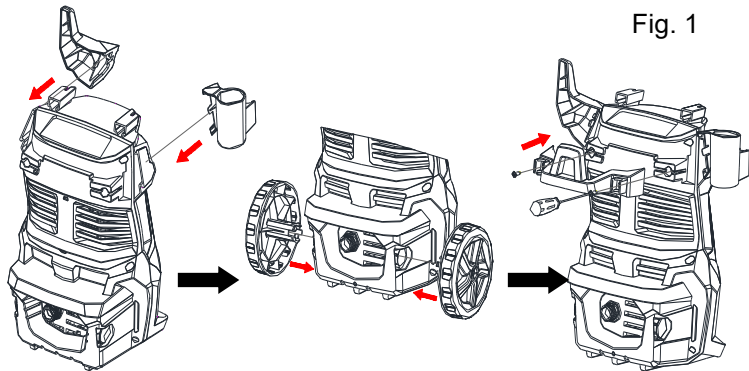


Fig. 1

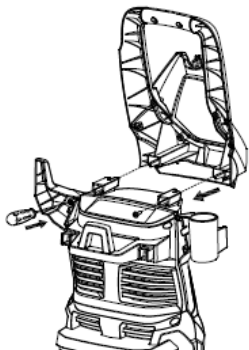


Fig. 2

- Conecte la manguera de alta presión a la salida de agua a presión de la máquina. (Fig. 3)

NOTA: Presione el botón para quitar la manguera

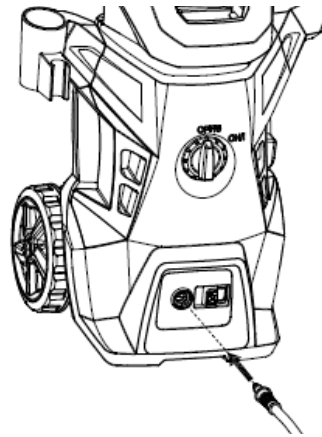
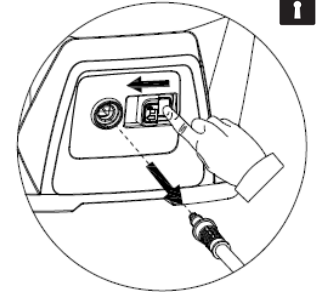


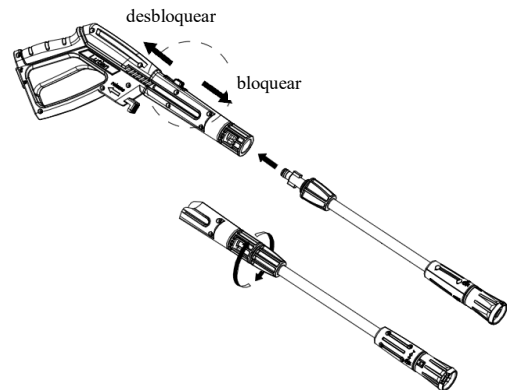
Fig. 3



- Inserte la lanza de pulverización de alta / baja presión en la pistola, júntelos y, al mismo tiempo, gírelos en sentido horario para bloquearlos en su lugar.
- Retire la pistola conectada y la lanza pulverizadora girándola en sentido antihorario y luego sepárelas. (Fig. 4)

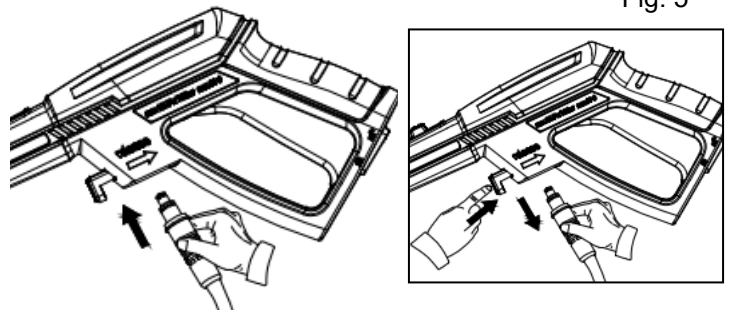
NOTA: El botón deslizante de la pistola para la función giratoria debe estar en la posición de bloqueo antes de conectar la lanza de alta / baja presión a la pistola de pulverización, o la lanza de alta / baja presión girará mientras tanto. Revise el método de "bloqueo" como se muestra a continuación.

Fig. 4



- Inserte la manguera de alta presión en el mango de la pistola directamente y asegúrese de que esté firmemente conectada. Presione el botón de liberación de la manguera y tire de la manguera hacia abajo para desconectarla. (Fig. 5)

Fig. 5

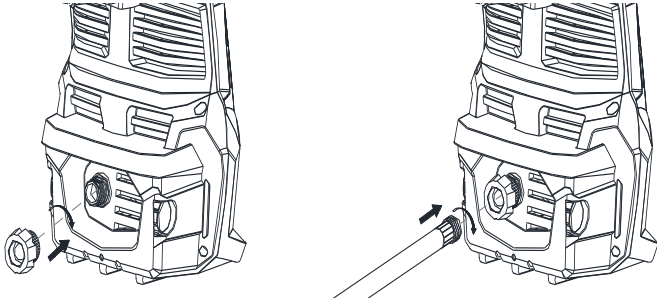


MONTAJE

- Conecte firmemente la manguera de jardín de su casa (no incluida) al accesorio de entrada de agua (ubicado en la parte inferior de la unidad). Conecte la manguera de jardín al suministro de agua. (Fig. 6)

ADVERTENCIA: El aparato está DISEÑADO para ser utilizado a una temperatura superior a 0 grados.

Fig. 6

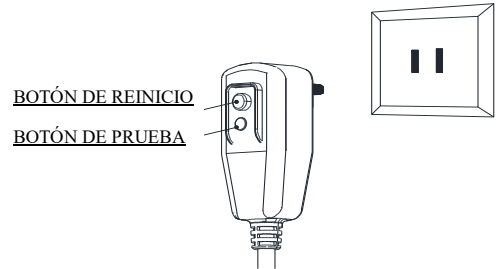


PARA ENCENDER LA LAVADORA A PRESIÓN (Fig.7)

- Enchufe la lavadora a presión en la toma de corriente.
- Presione el botón TEST, se cortará la energía y el indicador se apagará. No lo use si la prueba falla. Le recomendamos que presione el botón de prueba cada vez antes de usar la hidrolavadora para asegurarse de que la protección funcione.
- Presione el botón de reinicio y el indicador se iluminará, lo que significa que está listo para usar.

NOTA: Para mantener un buen funcionamiento de GFCI, impleméntelo una vez al mes.

Fig. 7



OPERANDO

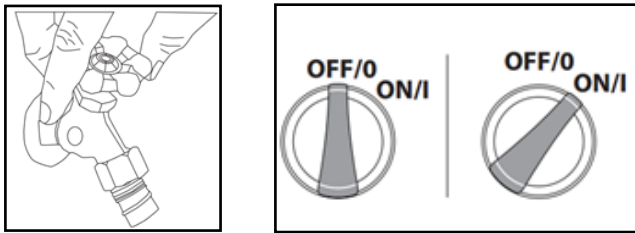
LAVAR CON AGUA

1. Abra el grifo de suministro de agua.

Conecte la lavadora a la fuente de alimentación y gire el interruptor a la posición "ON / I". Luego presione el gatillo.

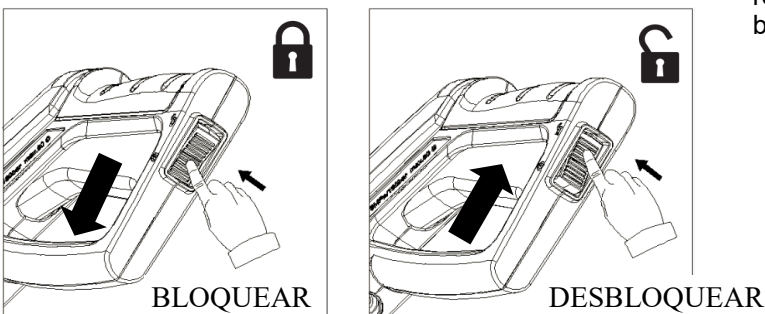
NOTA: Antes de presionar el gatillo, asegúrese de que el interruptor de bloqueo esté en la posición de "desbloqueo".

ADVERTENCIA: No arranque la máquina sin conectar y abrir el suministro de agua porque puede dañar los sellos de alta presión y reducir la vida útil de la bomba.



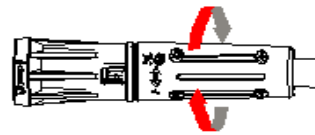
2. Suelte el gatillo y gire el interruptor a la posición "OFF / O". Cierre el grifo de suministro de agua.

NOTA: Cuando no esté en uso, asegúrese de que el interruptor de bloqueo esté en la posición "Bloquear".



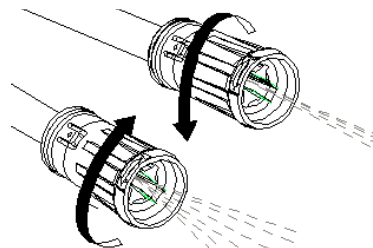
3. Ajuste la configuración de la boquilla de alta / baja presión a alta presión, apriete el gatillo y saldrá un flujo de agua a alta presión. Puede girar el collar de la boquilla de alta / baja presión para cambiarlo de un rociador de punta fina a un rociador de abanico de viento. (Fig. 8-10)

Fig. 8 Ajuste de baja presión



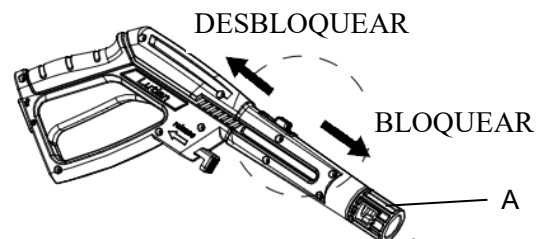
Ajuste de alta presión

Fig. 9



Al mismo tiempo, puede presionar el botón deslizante de la pistola para desbloquear y cambiar la dirección del rociado en abanico girando la boquilla de presión alta / baja (A).

Fig. 10



OPERANDO

El ángulo de rociado es más pequeño, pero la presión de salida del agua es mayor y el material de la superficie a limpiar debe ser lo suficientemente resistente para soportar agua a mayor presión.

Detalles del uso previsto, consulte los elementos (1) ~ (4) a continuación:

(1) Pulverizador de puntos finos significa aplicar una alta presión. La corriente de chorro con punta de lápiz se usa para lavar depósitos sucios pesados en un área pequeña y concentrada. Es ideal para disolver sustancias rebeldes, como manchas de alquitrán y grasa en el hormigón, o para eliminar el barro apelmazado del equipo. También se utiliza para limpiar áreas de difícil acceso, incluidas las fachadas de edificios de 2 pisos o la parte inferior de cortadoras de césped y tractores.

NOTA: Se debe tener cuidado al configurar la boquilla de pulverización para evitar perforar la madera de forma permanente o dañar las superficies frágiles.

(2) Ajuste a 15 ° o menos en abanico para trabajos de limpieza intensivos en superficies duras que puedan soportar la alta presión. Las aplicaciones incluyen remover pintura, remover manchas de aceite, grasa, manchas de moho y óxido del acero.

(3) Ajuste a 25 ° más o menos en abanico para limpiar revestimientos de casas, patios de ladrillo, terrazas de madera, entradas de vehículos, aceras, automóviles o muebles.

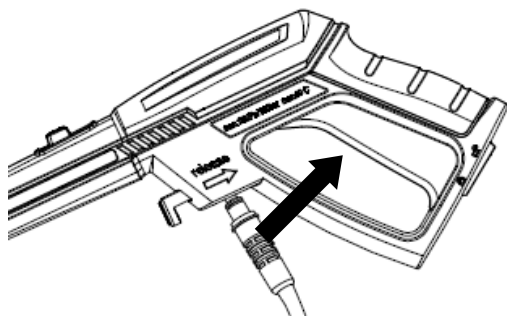
(4) Ajuste a un rociador de ventilador de 40 ° aproximadamente para limpiar artículos como automóviles, camiones, botes, muebles de jardín o equipos de jardinería.

4. Cuando termine su trabajo limpio, gire el interruptor a la posición "OFF / O".

5. Presione el botón "prueba" en el GFCI y desenchufe el cable de alimentación. Esto debe hacerse cada vez que la unidad esté en mantenimiento.

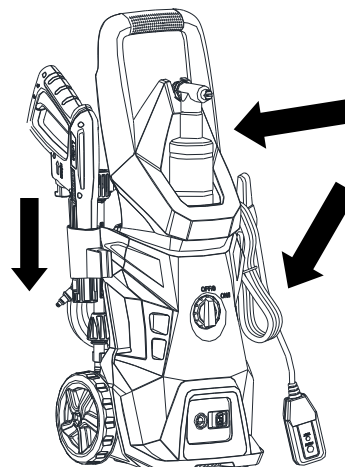
6. Cierre el suministro de agua.

7. Después de apagar el motor y el suministro de agua, dispare la pistola rociadora para despresurizar el sistema.



8. Bloquee el gatillo y coloque la pistola rociadora, el cable de alimentación, la botella de detergente y la manguera de alta presión. (Fig. 11)

Fig. 11



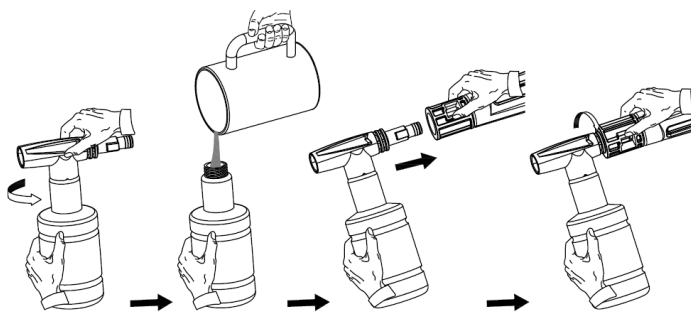
PRECAUCIÓN: NUNCA use la lavadora a presión después de cerrar el suministro de agua. Pueden ocurrir daños graves a la bomba y / o al motor.

ADVERTENCIA: NUNCA desconecte la manguera de descarga de alta presión de la máquina mientras el sistema esté presurizado. Para despresurizar, apague el motor, cierre el suministro de agua y apriete el gatillo de la pistola 2-3 veces.

9. Después de cada uso, limpie todas las superficies de la lavadora a presión con un paño limpio y húmedo.

PARA LAVAR CON DETERGENTE

1. Llénelo con un detergente o limpiador debidamente formulado con una proporción de agua de acuerdo con las instrucciones del recipiente. Conecte la boquilla a la lanza.



2. Apriete el gatillo y el detergente saldrá por la boquilla de la botella de detergente.

3. Aplique detergente para que cubra completamente la superficie de limpieza.

4. Deje que el detergente permanezca en la superficie durante unos minutos. Este es un buen momento para usar un cepillo para restregar ligeramente las áreas muy sucias.

5. Cambie a boquilla rociadora para enjuagar el detergente de la superficie.

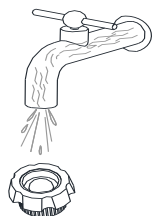
6. Limpieza: siempre extraiga agua fresca a través de la botella de detergente cuando termine para eliminar cualquier resto de detergente del sistema de inyección. La botella podría separarse si es necesario durante este proceso.

MANTENIMIENTO

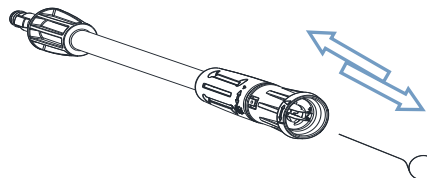
INSTRUCCIONES DE LIMPIEZA DEL FILTRO DE AGUA Y LA BOQUILLA

Un filtro de agua o una boquilla obstruidos o parcialmente obstruidos pueden causar una reducción significativa de la presión del agua que sale de la boquilla y / o hacer que la unidad vibre mientras pulveriza.

1. El filtro de agua se instaló dentro del conector rápido de entrada de agua y debe limpiarse periódicamente. Enjuáguelo con agua limpia del grifo y luego vuelva a colocarlo en el conector rápido de entrada de agua.



2. Con el limpiador de puntas de boquilla que se proporciona (o un clip de papel desplegado), inserte la clavija en el orificio de la boquilla y muévala hacia adelante y hacia atrás hasta que se desprendan los residuos. Enjuague el agua a través de las boquillas usando una manguera de jardín y la presión más alta disponible (ya sea una boquilla de agua estándar o use su pulgar sobre la boquilla para crear presión de agua para el lavado a contracorriente).



SOLUCIÓN DE PROBLEMAS

Problema	Posibles Causas	Remedio
El motor no arranca	El interruptor está en la posición APAGADO. El cable de alimentación no está enchufado. La toma de corriente no suministra la energía adecuada El gatillo de la pistola de agua no está activado. El enchufe GFCI no se reinicia.	Encienda el interruptor. Enchufe el cable de alimentación. Pruebe con otra salida. Active el gatillo de la pistola de agua. Presione el botón de reinicio en el enchufe GFCI.
El motor se detiene repentinamente	El interruptor de seguridad térmica se ha disparado debido a un sobrecalentamiento.	Verifique que el voltaje principal corresponda a la especificación.
La unidad no alcanza alta presión	El filtro de entrada de agua está obstruido. No hay suficiente suministro de agua de entrada. El suministro de agua está restringido. La bomba está succionando aire de las conexiones o mangueras. Las válvulas están obstruidas o desgastadas	Verifique el filtro de entrada de agua. Fuente de agua abierta con toda su fuerza. Revise la manguera de jardín en busca de torceduras. Verifique que todas las conexiones de suministro estén apretadas. Llame a nuestra línea de ayuda de servicio al cliente al 1-800-633-1501 para obtener ayuda.
La presión de salida fluctúa	La bomba está aspirando aire. El filtro de entrada de agua está obstruido. Suministro de entrada de agua insuficiente. Válvulas sucias, gastadas o atascadas. Los sellos de la bomba están desgastados.	Compruebe que las mangueras y las conexiones estén herméticas. Apague la máquina y purgue la bomba disparando la pistola hasta que obtenga un flujo constante de agua. Limpiar el filtro de entrada de agua. Fuente de agua abierta con toda su fuerza. Llame a nuestra línea de ayuda de servicio al cliente al 1-800-633-1501 para obtener ayuda.
Fugas de agua de la bomba	Los sellos de la bomba están desgastados.	Llame a nuestra línea de ayuda de servicio al cliente al 1-800-633-1501 para obtener ayuda.
El detergente no se dispensa	Se instaló una boquilla incorrecta en la lanza. La boquilla está obstruida con suciedad.	Instale la boquilla dispensadora de jabón. Desconecte la lanza de pulverización del mango de la pistola, límpiela con un pasador de limpieza de boquillas y enjuague con agua.
Baja presión	El grifo no está completamente abierto o la unidad no recibe un volumen completo de agua.	Abra el grifo por completo. Revise la manguera de jardín en busca de torceduras. Limpiar el filtro de entrada.
La unidad no se detendrá cuando se suelte el gatillo.	La pistola no funciona correctamente.	Desconecte la unidad de la fuente de alimentación. Llame a nuestra línea de ayuda de servicio al cliente al 1-800-633-1501 para obtener ayuda.

AS Y SERVICIO

SERVICIO TÉCNICO

Para solicitar repuestos o servicio técnico, llame al 1-800-633-1501 o visite nuestra página web americanlawnmower.com. Asegúrese de proporcionar toda la información relevante cuando nos llame o visite.

REPUESTOS

El número de modelo de esta herramienta se encuentra en una placa o etiqueta adjunta a la caja. Registre el número de serie en el espacio provisto a continuación.

- NOMBRE DEL ARTÍCULO Lavadora a presión
- NÚMERO DE MODELO PW190002
- NÚMERO DE SERIE _____

Mencione siempre el serial del modelo cuando ordene kits para el mismo.

N.º	Número de kit/ Número de artículo	Descripción	Cantidad
1	PW190002-ALK	Kit de lanza ajustable	1
2	PW190002-HK	Kit de manguera	1
3	PW190002-TLK	Kit de lanza turbo	1
4	PW190002-WK	Juego de ruedas	1
5	PW190002-HWK	Kit de hardware	1
6	PW190002/PW20502B-GHC	Kit de conector de manguera de jardín	1
7	PW190002/PW20502B-FBK	Kit de cepillo fijo	1
8	PW190002/PW20502B-HBK	Kit de cepillo de cubo	1
9	PW190002/PW20502B-FCK	Kit de cañón de espuma	1

LLÁMENOS PRIMERO !!

Llámenos primero si tiene preguntas sobre el funcionamiento o el mantenimiento de este producto a 1.800.633.1501, de 8:00 a 17:00, hora estándar del este, obtener asistencia en americanlawnmower.com



MANUAL DEL PROPIETARIO LAVADORA A PRESION ELECTRICA

Todos los derechos reservados.

POLÍTICA DE GARANTÍA

Un (1) año de garantía limitada para equipos eléctricos para exteriores Earthwise.

Earthwise garantiza al propietario original que cada producto nuevo y pieza de repuesto está libre de defectos en el material y la mano de obra, y acepta reparar o reemplazar cualquier producto o pieza defectuosa durante el periodo de garantía según lo establecido anteriormente a partir de la fecha de compra original excepto en las condiciones y circunstancias que se indican a continuación:

La garantía se aplica solo al comprador original al menudeo y no puede transferirse.

La garantía se aplica si el producto está destinado para uso personal, doméstico o familiar. La garantía queda anulada si el producto se usa con fines comerciales, industriales o de alquiler.

La garantía no incluye reparaciones necesarias debido a abuso o negligencia por parte del operador (incluida la sobrecarga del producto que supere la capacidad o inmersión en el agua), o un error al montar, operar, mantener o almacenar el producto de acuerdo con las instrucciones del manual del operador.

Esta garantía no es transferible y solo se aplica a productos vendidos directamente por un distribuidor minorista autorizado.

Esta garantía no se aplica a cualquier producto, nuevo o usado, adquirido a través de canales de terceros no autorizados.

CUALQUIER PÉRDIDA ACCIDENTAL, INDIRECTA O RESULTANTE, DAÑO O GASTO QUE PUEDA DERIVAR DE CUALQUIER DEFECTO, FALLA O MALFUNCIONAMIENTO DEL PRODUCTO NO ESTÁ CUBIERTO POR LA GARANTÍA. En algunos estados no se permite la exclusión o limitación sobre la duración de las garantías implícitas, en cuyo caso la limitación anterior no podría aplicarse.

Los productos que se venden dañados o incompletos, que se venden "tal como están" o reacondicionados no están cubiertos por esta garantía.

Los daños o inconvenientes causados por envío, manipulación inadecuada, montaje incorrecto, voltaje o cableado incorrecto, mantenimiento deficiente, modificaciones inadecuadas o el uso de accesorios o dispositivos de sujeción no recomendados específicamente no están cubiertos por esta garantía.

Elementos consumibles que se desgastan con el uso normal cubierto por la garantía.

La garantía no cubre los daños causados por el frío, el calor, la lluvia, la humedad excesiva, ambientes y materiales corrosivos u otros contaminantes.

La garantía no incluye instalación, montaje o ajustes normales tal como se explican en el manual del operador.

Los gastos de entrega del producto al proveedor y los gastos de devolución del producto o las piezas de repuesto al propietario no están cubiertos por esta garantía.

La garantía no cubre el deterioro normal del acabado exterior, que incluye pero no se limita a rayones, abolladuras, cascarrillas de pintura o cualquier corrosión o decoloración ocasionada por el calor, limpiadores abrasivos o químicos.

Todos los reclamos de garantía deben estar acompañados por el comprobante de compra, el recibo de compra original con fecha.



American Lawn Mower Company
The Great States Corporation
7444 Shadeland Station Way
Indianapolis, IN 46256
Estados Unidos
Teléfono: 1-800-633-1501
www.americanlawnmower.com

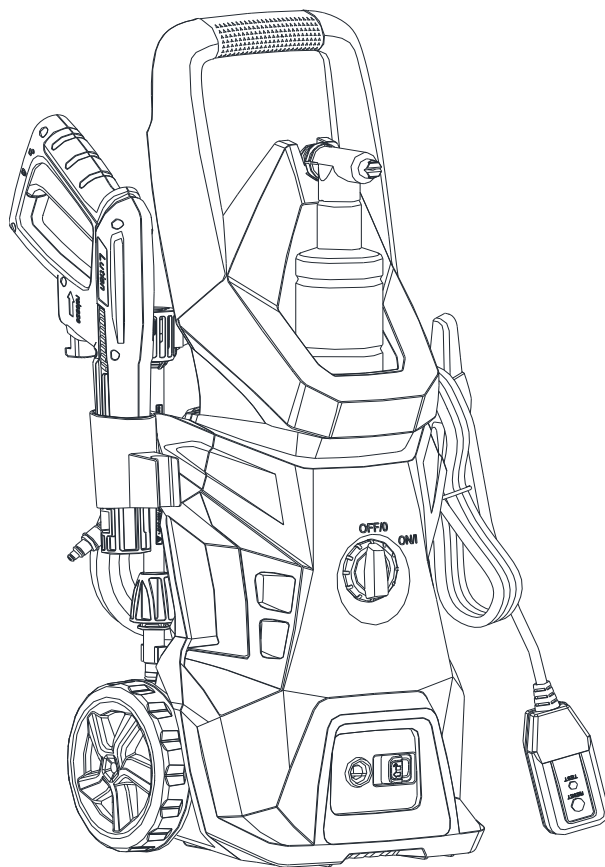
Con el compromiso constante de mejorar la calidad, el fabricante se reserva el derecho de modificar los componentes o diseñar cambios cuando lo considere necesario.



MANUEL DE L'UTILISATEUR LAVEUSE À PRESSION ÉLECTRIQUE

Copyright Tous droits réservés.

Modèle PW190002



CSA[®]
C US
602178



Ce produit a été conçu et fabriqué selon nos normes élevées de fiabilité, de facilité d'utilisation et de sécurité de l'utilisateur. Correctement entretenu, il vous procurera des années de service intensif et sans souci.



AVERTISSEMENT : afin d'éviter de se blesser, l'utilisateur doit lire et comprendre le manuel de l'utilisateur avant d'utiliser ce produit.

Merci pour votre achat.

NE RENVOYEZ PAS CE PRODUIT AU MAGASIN. AVEZ-VOUS DES QUESTIONS CONCERNANT LE FONCTIONNEMENT, L'ASSEMBLAGE, LES PIÈCES OU LA RÉPARATION DU PRODUIT? ALER À WWW.AMERICANLAWNMOWER.COM OU COMPOSEZ LE 1-800-633-1501 E 8 h 00 à 17 h 00, HEURE DE L'EST, POUR TOUTE ASSISTANCE.

CONSERVEZ CE MANUEL POUR POUVOIR LE CONSULTER ULTÉRIEUREMENT



AVERTISSEMENTS DE SÉCURITÉ IMPORTANTS



POUR RÉDUIRE LE RISQUE DE BLESSURE : avant toute utilisation, assurez-vous que toute personne utilisant ce produit a lu et compris toutes les consignes de sécurité et les autres renseignements contenus dans ce manuel.



ATTENTION : portez des protections auditives appropriées pendant l'utilisation. Dans certaines conditions, ou en cas d'utilisation prolongée, le bruit émis par ce produit peut contribuer à une perte auditive.

Conservez ces instructions et relisez-les souvent avant d'utiliser le produit et lorsque vous apprenez son emploi à d'autres personnes.



AVERTISSEMENT : lorsque vous utilisez un appareil électrique, vous devez toujours respecter des consignes de sécurité de base afin de réduire le risque d'incendie, de décharge électrique et de blessures, notamment :

LIRE TOUTES LES INSTRUCTIONS

SÉCURITÉ GÉNÉRALE

VÉRIFIER LES PIÈCES ENDOMMAGÉES – Avant de poursuivre l'utilisation du produit, toute pièce endommagée doit être vérifiée scrupuleusement afin de déterminer qu'elle fonctionnera correctement et remplira sa fonction prévue. Vérifiez l'alignement des pièces mobiles, si ces dernières sont coincées, si certaines pièces sont cassées, la qualité du montage et toute autre condition pouvant affecter le fonctionnement de l'outil. Toute pièce endommagée doit être correctement réparée ou remplacée. Appelez notre service clientèle au 1-800-633-1501 pour assistance.

ÉVITER LES ENVIRONNEMENTS DANGEREUX – N'utilisez pas l'appareil dans les atmosphères gazeuses ou explosives. Le moteur de ce produit émet normalement des étincelles capables d'enflammer les vapeurs chimiques.

GARDER HORS DE PORTÉE DES ENFANTS – Tous les visiteurs, enfants et animaux domestiques doivent se tenir au-delà du périmètre de sécurité de la zone de travail.

S'HABILLER DE FAÇON APPROPRIÉE – Ne portez ni vêtements amples ni bijoux et portez une protection des cheveux pour contenir les cheveux longs. Ceux-ci risquent d'être happés par des pièces en mouvement.

Portez des chaussures couvertes solides, à semelles antidérapantes. Ne vous tenez pas en déséquilibre, en particulier sur les pentes.

PORTER DES LUNETTES DE SÉCURITÉ – Lors de l'utilisation de ce produit, portez des lunettes de sécurité avec des écrans latéraux, marquées à la norme ANSI Z87.1.



DOUBLE ISOLATION – Le nettoyeur haute pression a une double isolation: toutes les pièces métalliques externes sont isolées de l'alimentation électrique. Ceci est réalisé en introduisant une couche d'isolation entre les pièces électriques et mécaniques. Cette double isolation vous garantit la meilleure sécurité possible.



AVERTISSEMENT : utilisez des rallonges extérieures marquées SW-A, SOW-A, STW-A, STOW-A, SJW-A, SJTW-A ou SJTOWA. Ces câbles sont conçus pour une utilisation en extérieur et réduisent le risque de décharge électrique.

FICHES POLARISÉES – Afin de réduire le risque de décharge électrique, ce produit comporte une prise polarisée. Les connexions polarisées ne peuvent être effectuées que de la bonne façon. Assurez-vous que la prise femelle de la rallonge comporte des emplacements pour une fiche large et une fiche étroite. Si la prise ne s'adapte pas entièrement dans

la rallonge, inversez la prise. Si elle ne s'adapte toujours pas, obtenez une rallonge appropriée. Si la rallonge ne convient pas à la prise murale, contactez un électricien qualifié pour installer une prise murale correcte. Ne changez en aucun cas la fiche de l'outil ou de la rallonge. **RALLONGE**. Assurez-vous que la rallonge est en bon état. Lors de l'utilisation d'une rallonge, assurez-vous qu'elle est d'un calibre suffisant pour transmettre le courant consommé par le produit. Une rallonge de calibre insuffisant provoquera une baisse de tension qui entraînera une perte de puissance et une surchauffe. Le tableau suivant montre le calibre correct à utiliser en fonction de la longueur du câble et de l'intensité nominale de la plaque signalétique. En cas de doute, utilisez le calibre immédiatement supérieur. Plus le numéro de calibre est bas, plus le câble est lourd.

Voltios	Calibre mínimo para los cables			
	Longitud total del cable en pies			
120V	0-25	26-50	51-100	101-150
Amperaje		Calibre AWG		
Más de	No más de			
0	6	18	16	14
6	10	18	16	12
10	12	16	16	12
12	16	14	12	No se recomienda

Il est possible de nouer deux rallonges ensemble afin de les empêcher de se déconnecter pendant l'utilisation. Effectuez le nœud comme illustré, puis branchez la fiche du cordon d'alimentation dans la fiche femelle de la rallonge. Cette méthode peut également être utilisée pour raccorder deux rallonges ensemble.

Utilisez l'une des sangles de retenue ou une connecteurs décrits dans ce manuel.



AVERTISSEMENT : Gardez toutes les connexions sèches et hors du sol. Ne touchez pas la fiche avec les mains mouillées. Faites attention à la rallonge lorsque vous utilisez le nettoyeur haute pression. Veillez à ne pas trébucher sur le cordon.



Pour éviter des blessures corporelles et / ou des dommages matériels et pour maximiser votre expérience de lavage puissant, suivez attentivement tous les conseils de sécurité, instructions, avertissements et mesures de protection et familiarisez-vous avec toutes les commandes. Assurez-vous de savoir comment purger rapidement la pression de toutes les pièces de votre laveuse à pression et comment éteindre la laveuse à pression.

Cette laveuse à pression est conforme à la CSA et aux autres normes de sécurité et de consommation. Ne modifiez ni ne reconstruisez aucune pièce de votre laveuse à pression.

SÉCURITÉ GÉNÉRALE

N'utilisez pas votre laveuse à pression si vous êtes sous l'influence de l'alcool ou de drogues. Utilisez cet outil électrique avec précaution et uniquement lorsque vous êtes alerte.

Surveillez votre équilibre et votre équilibre lorsque vous utilisez votre laveuse à pression. Les surfaces deviennent glissantes lorsqu'elles sont mouillées et sont très glissantes lors de l'utilisation d'un détergent ou d'un nettoyant.

Ne faites jamais fonctionner la laveuse à pression pieds nus, sandales ou chaussures ouvertes.

Lorsque vous utilisez la laveuse à pression à proximité d'enfants, assurez-vous qu'ils sont étroitement surveillés par un adulte pour éviter les blessures. Ne laissez jamais un enfant utiliser la laveuse à pression.

Lorsque vous appuyez sur l'interrupteur d'alimentation pour éteindre la laveuse à pression, la pression de l'eau peut rester dans le système. Pour décharger la pression, pointez le pistolet de pulvérisation dans une direction sûre et appuyez sur la gâchette.

Ne vaporisez jamais de liquides inflammables.

N'utilisez jamais la laveuse à pression dans des zones contenant de la poussière, des liquides ou des vapeurs combustibles.

Gardez la zone d'opération à l'écart de toute personne.

Ne vous étendez pas trop et ne vous tenez pas sur un support instable. Gardez une bonne position et un bon équilibre en tout temps.

Suivez les instructions d'entretien spécifiées dans le manuel.

Évitez tout contact du flexible de pression avec des objets pointus et examinez-le régulièrement. Remplacez si endommagé. En raison de la haute pression impliquée, il ne peut pas être réparé s'il est coupé ou endommagé.

Les détergents pour laveuse à pression sont disponibles dans votre quincaillerie locale.

Protégez les yeux, les poumons et la peau de l'exposition au détergent. Le savon à vaisselle ou à lessive est trop épais et obstruera la buse de votre réservoir de détergent.



AVERTISSEMENT - Risque d'injection ou de blessure - Ne dirigez pas le jet de décharge vers des personnes.



AVERTISSEMENT: Si la connexion est établie à un système d'eau potable, le système doit être protégé contre le reflux.

N'utilisez jamais d'eau chaude avec votre laveuse à pression. Il surchauffera et endommagera la pompe haute pression.

IMPORTANT: Entreposez la laveuse à pression à l'intérieur pour empêcher l'eau de l'unité de se dilater dans des conditions de gel. Lorsque l'eau gèle et se dilate, votre laveuse à pression sera endommagée et deviendra inutilisable. Après avoir déconnecté l'alimentation en eau et avant de déconnecter le flexible haute pression, allumez le nettoyeur haute pression pendant 2-3 secondes et éteignez immédiatement l'appareil.

Ne laissez jamais la laveuse à pression sans surveillance lorsqu'elle est sous tension.

Ouvrez toujours l'alimentation en eau avant de mettre le lave-linge sous tension. Faire fonctionner la pompe à sec endommagera les composants internes.

N'utilisez jamais une alimentation en eau de votre laveuse à pression supérieure à 150 psi maximum.

Gardez les doigts, les mains, les pieds et toute partie de votre corps à l'écart du jet d'eau à haute pression. Le spray puissant peut provoquer la cécité ou des trous dans la peau. Il peut casser une fenêtre si vous êtes trop près lorsque vous appuyez sur la gâchette du pistolet de pulvérisation.

Portez toujours des lunettes de protection pour éviter de vous blesser les yeux lors de l'utilisation de la laveuse à pression.

Pour éviter les accidents ou les blessures, utilisez toujours le verrou de sécurité de la gâchette lorsque vous n'utilisez pas la laveuse à pression, même si la pulvérisation s'arrête un instant.

La laveuse à pression est équipée d'un disjoncteur de fuite à la terre (GFCI) intégré à la fiche du cordon d'alimentation, ce qui réduit considérablement le risque de choc électrique lorsque l'appareil est en cours d'utilisation.

Si le remplacement de la fiche ou du cordon est nécessaire, n'utilisez que des pièces de rechange identiques.

Pointez le pistolet de pulvérisation dans une direction sûre lorsque vous commencez une séance de lavage sous pression.

Lors de la première utilisation du pistolet de pulvérisation, tenez le pistolet de pulvérisation et la lance à deux mains lorsque vous appuyez sur la gâchette jusqu'à ce que vous vous habituez au «rebond» du pistolet de pulvérisation (une main pour appuyer sur la gâchette et l'autre pour stabiliser le pistolet).

Ne débranchez jamais le tuyau haute pression de la laveuse à pression lorsque le système est sous pression.

N'engagez jamais les mécanismes de déclenchement du pistolet de pulvérisation de manière permanente.

Ne jamais faire fonctionner la laveuse à pression si tous les composants ne sont pas correctement et solidement connectés.

Ne laissez jamais la pompe de laveuse à pression fonctionner pendant plus d'une minute après avoir contenu de la poussière, des liquides ou des vapeurs combustibles. Fermez l'alimentation en eau. Cela peut entraîner une surchauffe et une panne du moteur et de la pompe.

N'utilisez jamais de lances ou d'autres pièces qui n'ont pas été fournies avec votre laveuse à pression.

Ne vaporisez jamais de prise électrique avec votre laveuse à pression.



AVERTISSEMENT : Proposition 65 de la Californie :

Ce produit contient des agents chimiques connus dans l'État de la Californie pour causer le cancer et des malformations congénitales ou autres appareil reproducteur.



AVERTISSEMENT : Cancer ET Troubles de l'appareil reproducteur - www.P65Warnings.ca.gov.

SPÉCIFICATIONS DU PRODUIT

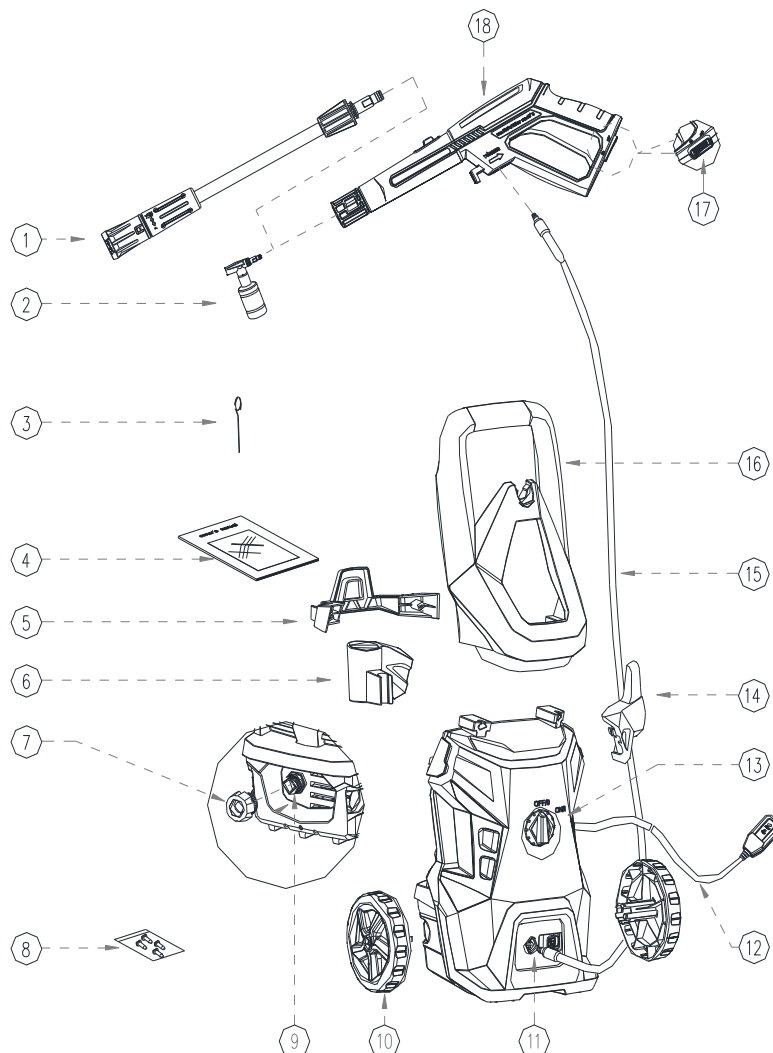
Modèle: PW190002

Contribution: 120V~60HZ, 13A
 Pression nominale: 1500 lpc
 Poids: 7.8kg(17.2 lbs)

Max. pression d'entrée d'eau: 170 lpc
 Max. pression: 1900 lpc
 Débit nominal: 1.45 GPM

LISTE DES PIÈCES

N°	Description	N°	Description	N°	Description	N°	Description
1	Buse réglable	6	Porte-pistolet	11	Tuyau de sortie d'eau	16	Manipuler
2	Bouteille de détergent	7	Connecteur d'entrée d'eau	12	Cordon d'alimentation avec GFCI	17	Interrupteur de verrouillage
3	Broche de nettoyage	8	Paquet de vis	13	Bouton ON / OFF	18	Pistolet
4	Le manuel du propriétaire	9	Tuyau d'arrivée d'eau	14	Crochet de câble d'alimentation		
5	Support d'accessoires	10	Roue	15	Tuyau haute pression		



ASSEMBLAGE

DÉBALLAGE

Ce produit nécessite un assemblage.

Retirez soigneusement tout de la boîte. Assurez-vous que tous les articles répertoriés dans la liste de colisage sont inclus.

Inspectez soigneusement tous les articles pour vous assurer qu'aucun bris ou dommage ne s'est produit pendant l'expédition.

Ne jetez pas le matériel d'emballage avant d'avoir soigneusement inspecté et utilisé de manière satisfaisante le nettoyeur haute pression.

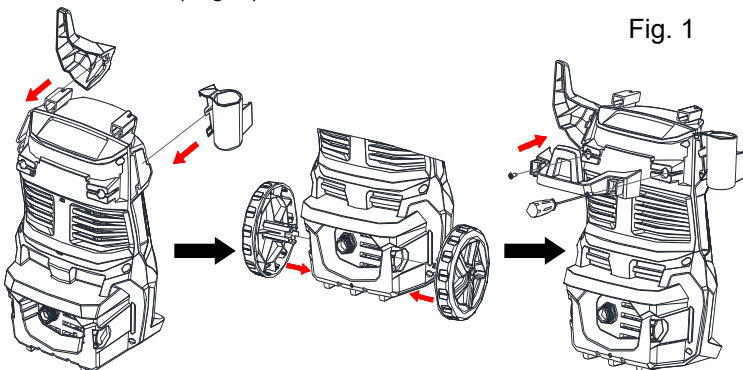
LISTE DE COLISAGE

- Nettoyeur haute pression
- Gun & Lance avec buse réglable
- Bouteille de détergent
- Support de pistolet et crochet de câble d'alimentation
- Manuel du propriétaire (avec goupille de nettoyage de buse attachée et sac de matériel)
- Porte-accessoire
- Roues
- Manipuler

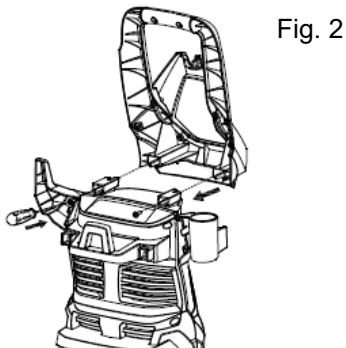
POUR CONFIGURER LA LAVEUSE À PRESSION

(Fig 1 - Fig 7)

- Installez le support de pistolet et le crochet du cordon d'alimentation sur le nettoyeur haute pression en suivant le sens de la flèche comme indiqué ci-dessous.
- Alignez les roues de chaque côté avec les fentes de l'unité et poussez-les vers l'intérieur pour verrouiller les roues en place.
- Alignez les trous du support d'accessoires avec les trous de l'unité. Et utilisez un tournevis pour fixer les deux vis fournies en tournant dans le sens des aiguilles d'une montre. (Fig. 1)

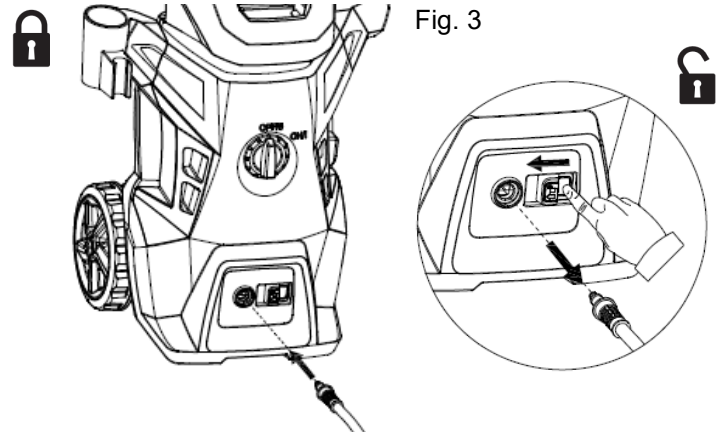


- Vissez fermement la poignée sur le corps principal. (Fig.2)



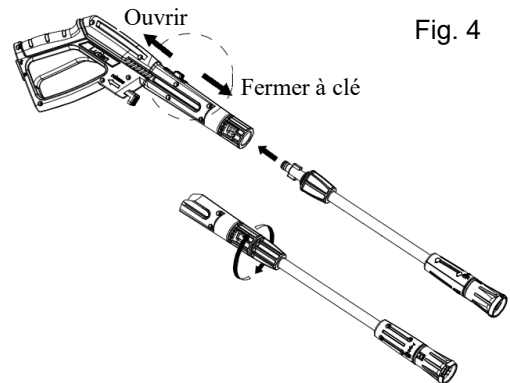
- Fixez le tuyau haute pression à la sortie d'eau sous pression de la machine. (Fig. 3)

REMARQUE: Appuyez sur le bouton pour retirer le tuyau.

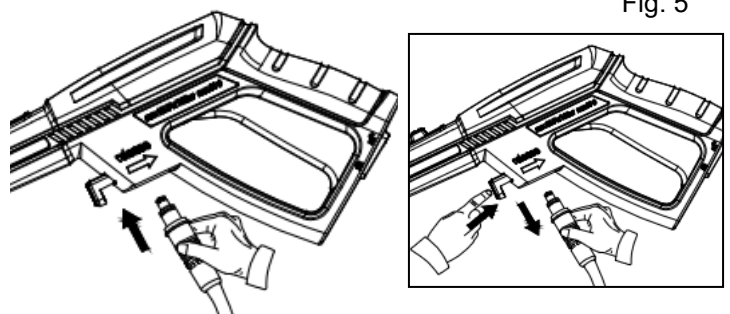


- Insérez la lance de pulvérisation haute / basse pression dans le pistolet, poussez-les ensemble et en même temps tournez dans le sens des aiguilles d'une montre pour verrouiller en place.
- Retirez le pistolet et la lance de pulvérisation connectés en les tournant dans le sens inverse des aiguilles d'une montre, puis séparez-les. (Fig. 4)

REMARQUE: Le bouton coulissant du pistolet pour la fonction rotative doit être en position de verrouillage avant de connecter la lance haute / basse pression au pistolet de pulvérisation, sinon la lance de pulvérisation haute / basse pression tournera pendant ce temps. Veuillez revoir la méthode de «verrouillage» comme indiqué ci-dessous.



- Insérez directement le tuyau haute pression dans la poignée du pistolet et assurez-vous qu'il est fermement connecté. Appuyez sur le bouton de libération du tuyau et tirez vers le bas sur le tuyau pour le déconnecter. (Fig. 5)

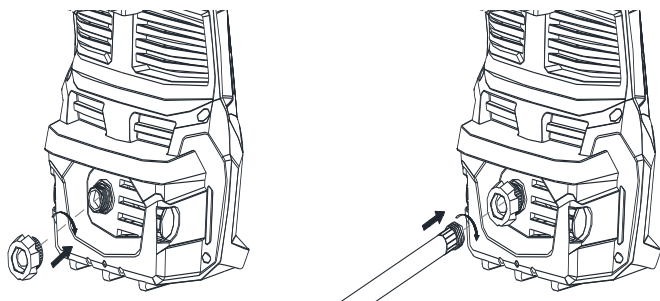


ASSEMBLAGE

- Fixez solidement le tuyau d'arrosage domestique (non fourni) au raccord d'arrivée d'eau (situé au bas de l'unité). Connectez le tuyau d'arrosage à l'alimentation en eau. (Fig. 6)

AVERTISSEMENT: L'appareil est **CONÇU** pour être utilisé à une température supérieure à 0 degré.

Fig. 6



POUR DÉMARRER LE LAVEUSE À PRESSION (Fig.7)

- Branchez le nettoyeur haute pression dans la prise de courant.
- Appuyez sur le bouton TEST, l'alimentation sera coupée et l'indicateur sera éteint. Ne pas utiliser si le test échoue. Nous vous recommandons d'appuyer sur le bouton de test à chaque fois avant d'utiliser le nettoyeur haute pression pour vous assurer que la protection fonctionne.
- Appuyez sur le bouton de réinitialisation et l'indicateur s'allumera, ce qui signifie que vous êtes prêt à utiliser.

REMARQUE: pour maintenir le bon fonctionnement du GFCI, veuillez le mettre en œuvre une fois par mois.

Fig. 7



UTILISATION

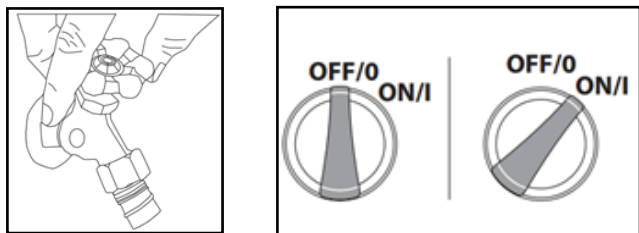
LAVER À L'EAU

- Ouvrez le robinet d'arrivée d'eau.

Branchez la laveuse à l'alimentation électrique et tournez l'interrupteur sur la position «ON / I». Appuyez ensuite sur la gâchette.

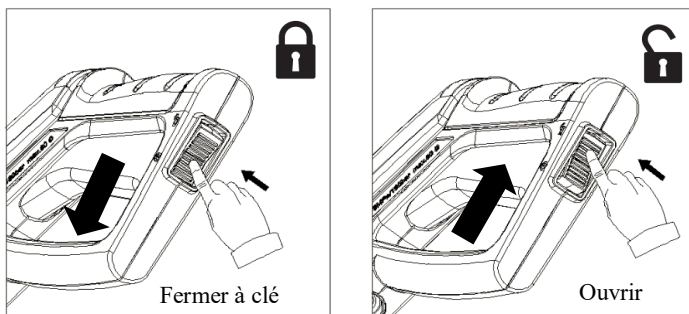
NOTE: Before pressing trigger, make sure lock-off switch is in "unlock" position.

AVERTISSEMENT: Ne démarrez pas la machine sans connecter et ouvrir l'alimentation en eau car cela pourrait endommager les joints haute pression et réduire la durée de vie de la pompe.



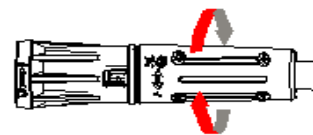
- Relâchez la gâchette et mettez l'interrupteur en position «OFF / O». Fermez le robinet d'arrivée d'eau.

REMARQUE: Lorsqu'il n'est pas utilisé, assurez-vous que l'interrupteur de verrouillage est en position «Verrouillé».



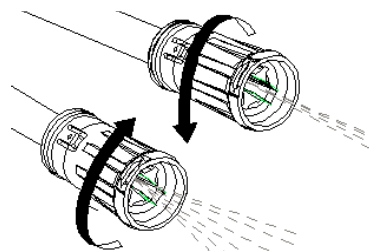
- Réglez le réglage de la buse haute / basse pression sur haute pression, appuyez sur la gâchette et le débit d'eau haute pression sortira. Vous pouvez faire tourner le collier de buse haute / basse pression pour le changer d'un jet à pointe fine à un jet en éventail. (Fig. 8 à 10)

Fig. 8 Réglage basse pression



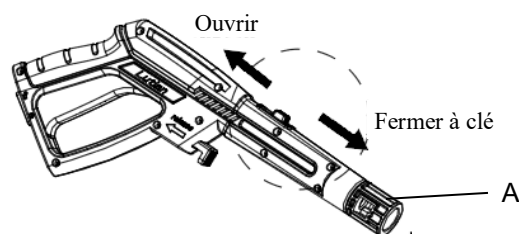
Réglage haute pression

Fig. 9



En même temps, vous pouvez appuyer sur le bouton coulissant du pistolet pour le déverrouiller pour changer la direction du jet en éventail en tournant la buse haute / basse pression (A).

Fig. 10



UTILISATION

L'angle de pulvérisation est plus petit, mais la pression de sortie d'eau est plus élevée et le matériau de la surface à nettoyer doit être suffisamment résistant pour supporter une pression d'eau plus élevée.

Détail de l'utilisation prévue voir les éléments (1) ~ (4) ci-dessous:

(1) La pulvérisation ponctuelle fine signifie délivrer une haute pression. Le jet en pointe de crayon est utilisé pour laver les dépôts sales lourds dans une zone petite et concentrée. Il est idéal pour dissoudre les substances tenaces, comme les taches de goudron et de graisse sur le béton, ou pour éliminer la boue agglomérée des équipements. Il est également utilisé pour nettoyer les zones difficiles d'accès, y compris les façades d'immeubles de 2 étages ou le dessous des tondeuses à gazon et des tracteurs.



REMARQUE: Lors de la mise en place de la buse de pulvérisation, des précautions doivent être prises pour éviter de creuser définitivement le bois ou d'endommager les surfaces fragiles.

(2) Réglage à 15 ° environ en jet en éventail pour les travaux de nettoyage intensifs sur des surfaces dures qui peuvent résister à la haute pression. Les applications comprennent le décapage de la peinture, l'élimination des taches d'huile, de la graisse, des taches de moisissure et de la rouille de l'acier.

(3) Réglage à 25 ° ou plus pour le nettoyage des revêtements de maison, des patios en brique, des terrasses en bois, des allées, des trottoirs, des voitures ou des meubles.

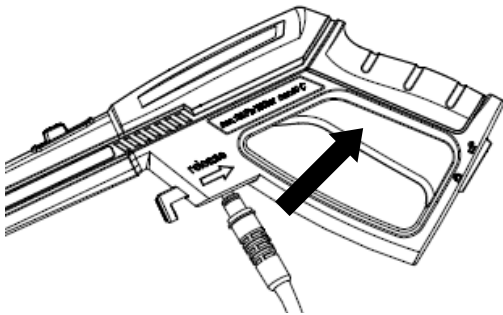
(4) Réglage à 40 ° ou plus de pulvérisation en éventail pour nettoyer les articles tels que les voitures, les camions, les bateaux, les meubles de patio ou l'équipement de pelouse.

4. Lorsque vous avez terminé votre travail de nettoyage, tournez le commutateur sur la position «OFF / O».

5. Appuyez sur le bouton «test» sur le GFCI, et débranchez la fiche d'alimentation. Cela doit être fait chaque fois que l'unité est en maintenance.

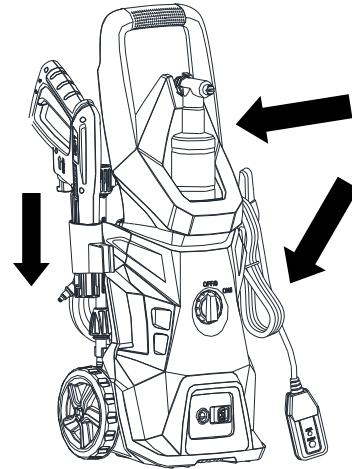
6. Coupez l'alimentation en eau.

7. Une fois que le moteur et l'alimentation en eau sont coupés, actionnez le pistolet de pulvérisation pour dépressuriser le système.



8. Verrouillez la gâchette et mettez le pistolet pulvérisateur, le câble d'alimentation, la bouteille de détergent et le tuyau haute pression. (Fig 11)

Fig. 11



ATTENTION: N'utilisez JAMAIS un nettoyeur haute pression après avoir coupé l'alimentation en eau. De graves dommages pourraient survenir à la pompe et / ou au moteur.

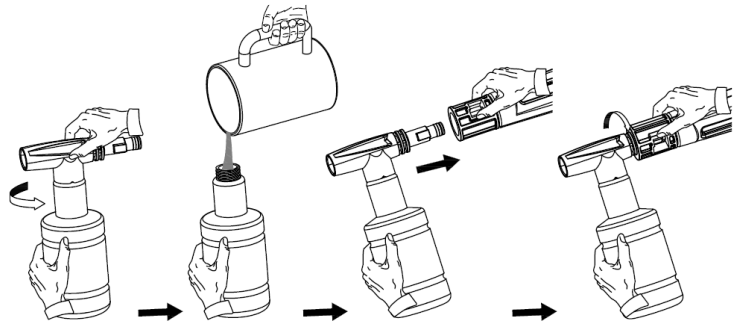


AVERTISSEMENT: NE JAMAIS déconnecter le flexible de refoulement haute pression de la machine lorsque le système est sous pression. Pour dépressuriser, éteignez le moteur, coupez l'alimentation en eau et appuyez sur la gâchette du pistolet 2-3 fois.

9. Après chaque utilisation, essuyez toutes les surfaces du nettoyeur haute pression avec un chiffon propre et humide.

POUR LAVER AVEC UN DÉTERGENT

1. Remplissez-le avec un détergent ou un nettoyant correctement formulé avec un rapport d'eau selon les instructions sur le récipient. Connectez la buse à la lance.
2. Appuyez sur la gâchette et le détergent sortira par la buse de la bouteille de détergent.



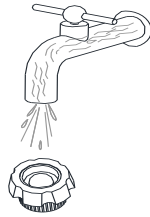
3. appliquez le détergent de manière à ce qu'il recouvre complètement la surface de nettoyage.
4. Laisser le détergent rester sur la surface pendant quelques minutes. C'est le bon moment pour utiliser une brosse pour frotter légèrement les zones très sales.
5. Passez à la buse de pulvérisation pour rincer le détergent de la surface.
6. Nettoyage: aspirez toujours de l'eau fraîche à travers la bouteille de détergent lorsque vous avez terminé pour éliminer les détergents restants du système d'injection. La bouteille pourrait être détachée si nécessaire pendant ce processus.

ENTRETIEN

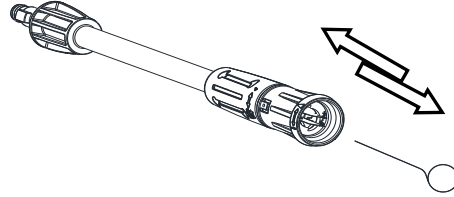
INSTRUCTIONS DE NETTOYAGE DU FILTRE À EAU ET DE LA BUSE

Un filtre à eau ou une buse bouché ou partiellement obstrué peut entraîner une réduction significative de la pression de l'eau sortant de la buse et / ou faire vibrer l'unité pendant la pulvérisation.

1. Le filtre à eau a été installé à l'intérieur du connecteur rapide d'arrivée d'eau et doit être nettoyé périodiquement. Rincez-le à l'eau claire du robinet, puis replacez-le dans le connecteur rapide d'arrivée d'eau.



2. À l'aide du nettoyeur de pointe de buse fourni (ou d'un trombone déplié), insérez la goupille dans le trou de la buse et déplacez-vous d'avant en arrière jusqu'à ce que les débris soient délogés. Rincez l'eau à travers les buses à l'aide d'un tuyau d'arrosage et à la pression la plus élevée disponible (soit une buse d'eau standard, soit utilisez votre pouce sur la buse pour créer une pression d'eau pour le rinçage arrière).



DÉPANNAGE

Problème	Causes possibles	Remède
Remède	L'interrupteur est en position OFF. Le cordon d'alimentation n'est pas branché. La prise électrique ne fournit pas une alimentation adéquate La gâchette du pistolet à eau n'est pas engagée. La prise GFCI n'est pas réinitialisée.	Allumez l'interrupteur. Branchez le cordon d'alimentation. Essayez une autre prise. Engagez la gâchette du pistolet à eau. Appuyez sur le bouton de réinitialisation de la prise GFCI.
Le moteur s'arrête brusquement	L'interrupteur de sécurité thermique s'est déclenché en raison d'une surchauffe.	Vérifiez que la tension principale correspond aux spécifications.
L'unité n'atteint pas la haute pression	Le filtre d'entrée d'eau est obstrué. Alimentation en eau insuffisante. L'approvisionnement en eau est limité. La pompe aspire l'air des raccords ou des tuyaux. Les vannes sont obstruées ou usées.	Vérifiez le filtre d'arrivée d'eau. Ouvrez la source d'eau à pleine force. Vérifiez que le tuyau d'arrosage n'est pas plié. Vérifiez que toutes les connexions d'alimentation sont serrées. Appelez notre ligne d'aide du service à la clientèle au 1-800-633-1501 pour obtenir de l'aide.
La pression de sortie fluctue	La pompe aspire de l'air. Le filtre d'entrée d'eau est obstrué. Pas assez d'alimentation en eau. Vannes sales, usées ou coincées. Les joints de pompe sont usés.	Vérifiez que les tuyaux et les raccords sont étanches à l'air. Éteignez la machine et purgez la pompe en déclenchant le pistolet jusqu'à ce que vous obteniez un débit d'eau constant. Nettoyez le filtre d'arrivée d'eau. Ouvrez la source d'eau à pleine force. Appelez notre ligne d'aide du service à la clientèle au 1-800-633-1501 pour obtenir de l'aide.
De l'eau fuit de la pompe	Les joints de pompe sont usés.	Appelez notre ligne d'aide du service à la clientèle au 1-800-633-1501 pour obtenir de l'aide.
Le détergent ne distribue pas	Une buse incorrecte est installée sur la lance. La buse est obstruée par des débris.	Installez la buse de distribution de savon. Débranchez la lance de pulvérisation de la poignée du pistolet, nettoyez avec la goupille de nettoyage de buse et rincez à l'eau.
Basse pression	Le robinet n'est pas complètement ouvert ou l'appareil ne reçoit pas un volume d'eau complet.	Ouvrez complètement le robinet. Vérifiez que le tuyau d'arrosage n'est pas plié. Nettoyez le filtre d'entrée.
L'unité ne s'arrêtera pas lorsque la gâchette est relâchée.	Le pistolet fonctionne mal.	Débranchez l'unité de la source d'alimentation. Appelez notre ligne d'aide du service à la clientèle au 1-800-633-1501 pour obtenir de l'aide.

PIÈCES ET SERVICE

UN SERVICE

Pour les pièces ou le service, veuillez appeler le 1-800-633-1501 ou visitez-nous en ligne à www.americanlawnmower.com. Assurez-vous de fournir toutes les informations pertinentes lorsque vous appelez ou visitez.

PIÈCES DE RECHANGE

Le numéro de modèle de cet outil se trouve sur une plaque ou une étiquette fixée au bâti. Notez votre numéro de série dans l'espace prévu ci-dessous.

- NOM DE L'ARTICLE LAVEUSE À PRESSION
- NUMÉRO DE MODÈLE PW190002
- NUMÉRO DE SÉRIE _____

Toujours mentionner le numéro de modèle lors de la commande de kits pour cet outil.

N°	Numéro de kit/ Numéro d'article	Description	Quantité
1	PW190002-ALK	Kit de lance réglable	1
2	PW190002-HK	Kit de tuyau	1
3	PW190002-TLK	Kit de lance turbo	1
4	PW190002-WK	Kit de roue	1
5	PW190002-HWK	Kit matériel	1
6	PW190002/PW20502B-GHC	Kit de connecteur de tuyau d'arrosage	1
7	PW190002/PW20502B-FBK	Kit de brosse fixe	1
8	PW190002/PW20502B-HBK	Kit de brosse de moyeu	1
9	PW190002/PW20502B-FCK	Kit de canon à mousse	1

APPELEZ-NOUS D'ABORD!!

Appelez-nous d'abord pour toute question concernant le fonctionnement ou la maintenance de votre tronçonneuse au 1.800.633.1501 entre 8h00 et 17h00, heure normale de l'Est, ou obtenez de l'aide sur www.americanlawnmower.com



MANUEL DE L'UTILISATEUR LAVEUSE À PRESSION ÉLECTRIQUE

Copyright. Tous droits réservés.

POLITIQUE DE GARANTIE

Garantie limitée de un (1) an sur l'équipement électrique d'extérieur Earthwise.

Earthwise garantit au propriétaire d'origine que tout nouveau produit et toute nouvelle pièce de remplacement est exempt(e) de défaut de matériau et de fabrication et s'engage en vertu de la présente garantie à réparer ou à remplacer tout produit défectueux ou toute pièce défectueuse à compter de la date d'achat d'origine pendant la période de garantie à l'exception des conditions et des circonstances indiquées ci-dessous.

Cette garantie s'applique seulement à l'acheteur d'origine dans un magasin de ventes au détail et ne peut être transférée.

La garantie s'applique si le produit est utilisé pour usage personnel, domestique ou familial. La garantie est nulle si le produit est utilisé à des fins commerciales, industrielles ou locatives.

La garantie n'inclut pas les réparations nécessaires à cause de la négligence ou de l'abus de l'opérateur (y compris la surcharge du produit au-delà de sa capacité ou son immersion dans l'eau), ou l'échec à assembler, opérer, entretenir ou entreposer le produit selon les instructions dans le manuel de l'opérateur.

Cette garantie n'est pas transférable et s'applique seulement au produit vendu directement d'un fournisseur autorisé.

Cette garantie ne s'applique pas à tout produit, neuf ou usagé, acheté par le biais de canaux tiers non-autorisés.

TOUT DOMMAGE, PERTE OU FRAIS CONSÉCUTIF, INDIRECT OU CONSÉQUENT QUI POURRAIT RÉSULTER D'UN DÉFAUT, D'UNE DÉFAILLANCE OU D'UN DYS FONCTIONNEMENT DU PRODUIT N'EST PAS COUVERT PAR LA GARANTIE. Certains États ne permettent pas l'exclusion ou la limitation de la durée d'une garantie implicite. Les restrictions ci-dessus peuvent donc ne pas s'appliquer.

Une preuve d'achat, original du reçu de vente daté, doit accompagner toute réclamation de garantie.

Les produits vendus endommagés ou incomplets, vendus « tels quels », ou vendus remis en état, ne sont pas couverts par cette garantie.

Les dommages ou responsabilités provoqués par le transport, une mauvaise manipulation, un mauvais assemblage, une tension ou un câblage incorrect, une mauvaise maintenance, une modification incorrecte ou l'utilisation d'accessoires ou d'outils non spécifiquement recommandés n'est pas couvert par cette garantie.

Les items consommables qui s'usent lors d'une utilisation normale ne sont pas couverts par la garantie.

La garantie ne couvre pas la détérioration normale de la finition extérieure, y compris, sans s'y limiter, aux égratignures, aux éclats de peinture entaillée ou à toute corrosion ou décoloration causée par la chaleur, les abrasifs et les nettoyeurs chimiques.

La garantie n'inclut pas l'installation, l'assemblage ou les réglages normaux expliqués dans le manuel de l'utilisateur.

Les frais de livraison du produit au vendeur ou les frais de retourner le produit ou les pièces de rechange au propriétaire ne sont pas couverts par la garantie.

La garantie ne couvre pas la détérioration normale de la finition extérieure, y compris, sans s'y limiter, aux égratignures, aux éclats de peinture entaillée ou à toute corrosion ou décoloration causée par la chaleur, les abrasifs et les nettoyeurs chimiques.



American Lawn Mower Company
The Great States Corporation
7444 Shadeland Station Way
Indianapolis, IN 46256, États-Unis
Téléphone 1-800-633-1501
www.americanlawnmower.com

Dans le cadre d'un engagement permanent d'amélioration de la qualité, le Fabricant se réserve le droit d'apporter des modifications à des composants ou à la conception si nécessaire.