

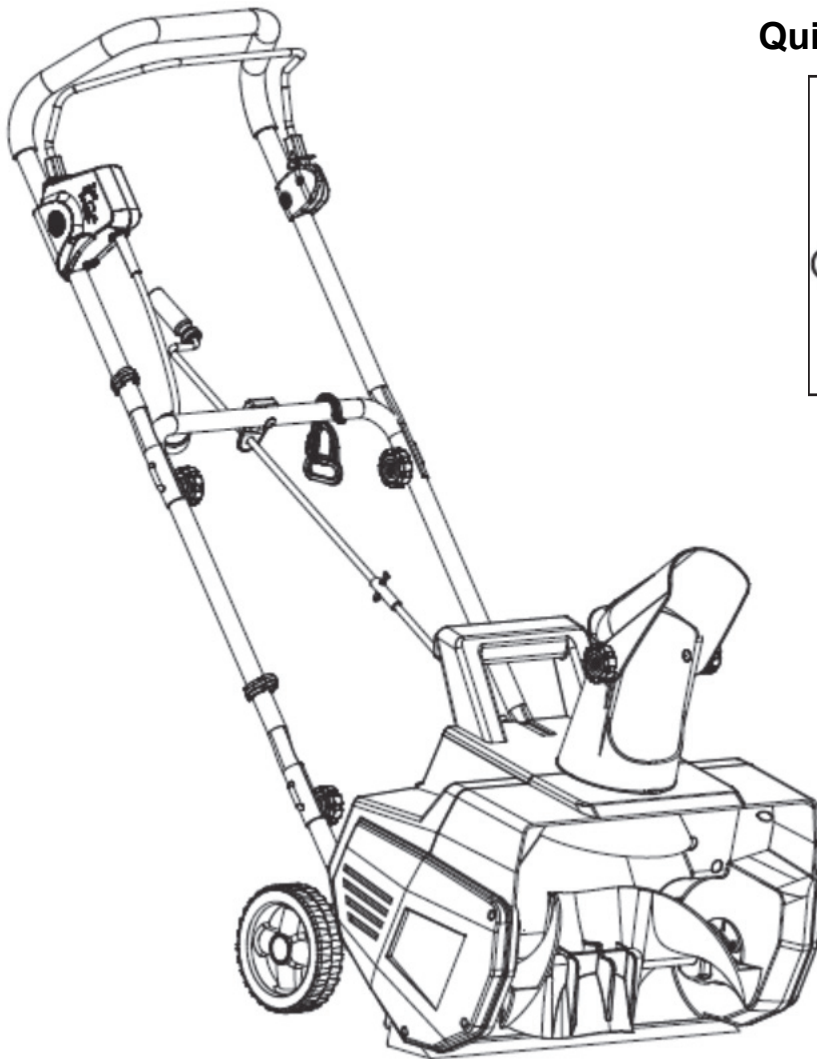


OWNER'S MANUAL

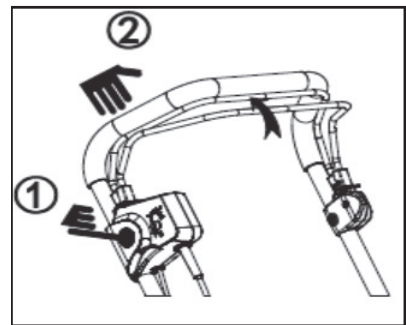
18-IN Snow Thrower

Copyright All Rights Reserved.

Model SN71018



Quick Start Instruction



From Page 9



Intertek

3189723
Conforms to UL std. 1090
Certified to CSA Standard
C22.2 No. 147



This product has been engineered and manufactured to our high standard for dependability, ease of operation, and operator safety. Properly cared for, it will give you years of rugged, trouble-free performance.



WARNING: To reduce the risk of injury, the user must read and understand the owner's manual before using this product.

Thank you for your purchase.

DO NOT RETURN THIS PRODUCT TO THE STORE. OPERATING, ASSEMBLY, PARTS, SERVICE QUESTIONS? GO TO AMERICANLAWNMOWER.COM OR CALL 1-800-633-1501. BETWEEN 8 AM – 5 PM EST, MONDAY-FRIDAY FOR ASSISTANCE.

SAVE THIS MANUAL FOR FUTURE REFERENCE

SYMBOLS

Some of the following symbols may be used on this product. Please study them and learn their meaning. Proper interpretation of these symbols will allow you to operate the product better and safer.



Precautions that involve your safety.



CAUTION! Read the instruction manual and follow the warning and safety instructions!



CAUTION! Remove plug from outlet immediately if the cable is damaged or cut.



SWITCH OFF! the machine, wait until it comes to a complete standstill and remove plug from outlet prior to maintenance, cleaning or repair work!



CAUTION! Always wear eye and ear protection.



Wear safe, sturdy, nonskid footwear!



DANGER! objects may be thrown out at high speed when motor is running. Do not walk in front of running machine.



Keep bystanders at a safe distance.



Keep the electrical cord free of the auger. The auger may damage the cord and cause contact with live parts.



DANGER! Rotating blades. Keep hands and feet at a safe distance.



Do not place hand under auger.



Do not place hand in front of chute deflector.



Do not expose to rain or use in damp locations.



DANGER! Risk of electric shock.



Do not use in rain or electrical storms.



Waste electrical products should not be disposed of with household waste. Please recycle where facilities exist. Check with your Local Authority or retailer for recycling advice.



IMPORTANT SAFETY WARNINGS



TO REDUCE RISK OF INJURY: Before any use be sure everyone using this product reads and understands all safety instructions and other information contained in this manual.



CAUTION: Wear appropriate personal hearing protection during use. Under some conditions and duration of use, noise from this product may contribute to hearing loss.

Save these instructions and review frequently prior to use and in instructing others.



WARNING: When using electric appliances, basic safety precautions should always be followed to reduce risk of fire, electric shock, and personal injury, including the following:

READ ALL INSTRUCTIONS

GENERAL SAFETY

CHECK FOR DAMAGED PARTS - Before further use of the product, any part that is damaged should be carefully checked to determine that it will operate properly and perform its intended function. Check for alignment of moving parts, binding of moving parts, breakage of parts, mounting and any other condition that may affect its operation. Any part that is damaged should be properly repaired or replaced. For assistance call our customer service help line at 1-800-633-1501.

AVOID DANGEROUS ENVIRONMENTS - Do not operate in gaseous or explosive atmospheres. Motors in these products normally spark, and the sparks might ignite fumes.

KEEP CHILDREN AWAY - All visitors, children and pets should stay at a safe distance from the work area.

DRESS PROPERLY- Don't wear loose clothing or jewelry and wear protective hair covering to contain long hair. They can be caught in moving parts.

Wear safe, sturdy, nonskid footwear. Maintain good footing at all times, especially on slopes.

USE SAFETY GLASSES - Wear safety glasses with side shields or goggles that are marked to comply with ANSI Z87.1 standard when operating this product.



DOUBLE INSULATION – The snow thrower has double insulation. This means that all external metal parts are insulated from the electrical supply. This is achieved by introducing an insulation layer between electrical and mechanical parts. The double insulation guarantees you the greatest possible safety.



WARNING: Use outdoor extension cords marked SW-A, SOW-A, STW-A, STOW-A, SJW-A, SJTW-A, or SJTOWA. These cords are rated for outdoor use and reduce the risk of electric shock.

POLARIZED PLUGS-To reduce the risk of electric shock, this product has a polarized plug. Polarized connections will fit together only one way. Make sure that the receptacle end of the extension cord has large and small blade slot widths. If the plug does not fit fully into the extension cord, reverse the plug. If it still does not fit, obtain a suitable extension cord. If the extension cord does not fit fully into the outlet, contact a qualified electrician to install the proper outlet. Do not change the plug on the tool or the extension cord in any way.

EXTENSION CORD. Make sure your extension cord is in good condition. When using an extension cord be sure it is heavy enough to carry the current your product will draw. An undersized extension cord will cause a drop in line voltage resulting in loss of power and overheating. The following table shows the correct size to use depending on cord length and nameplate ampere rating. If in doubt, use the next heavier gage. The smaller the gage number, the heavier the cord.

Volts	Minimum Gage for Cord Sets			
	Total Length of cord in Feet			
120V	0-25	26-50	51-100	101-150
Ampere Rating		American wire Gage		
More Than	Not More Than			
0	- 6	18	16	14
6	- 10	18	16	12
10	- 12	16	16	12
12	- 16	14	12	Not Recommended

It is possible to tie two extension cords together in a knot to prevent them from becoming disconnected during use. Make the knot as shown, then connect the plug end of the power cord into the receptacle end of the extension cord. This method can also be used to tie two extension cords together.



Use one of the plug-receptacle retaining straps or connectors described in this manual.



WARNING: Keep all connections dry and off the ground. Do not touch plug with wet hands.

Be aware of the extension cord while operating the snow thrower. Be careful not to trip on the cord. Always keep the cord away from the auger.

GENERAL SAFETY

GROUND FAULT CIRCUIT INTERRUPTER (GFCI) protection should be provided on the circuit or outlet to be used for the snow thrower. Receptacles are available having built-in GFCI protection and may be used.



WARNING: Never put your hands near the auger to remove snow, sticks or other debris. Blocked auger can “spring back” when cleared and may cause personal injury even when the snow thrower is stopped. Always use a wooden stick such as a broom handle to clear blockages.

DISCONNECT UNIT from the power supply when not in use or when servicing or cleaning. Do not leave unattended.

DON'T ABUSE CORD - Never carry this product by the cord or yank the cord to disconnect from the receptacle. Keep cord from heat, oil, and sharp edges.

USE RIGHT APPLIANCE - Do not use this product for any job except that for which it is intended.

DO NOT OVERLOAD the snow thrower by using at too fast a rate to clear the snow. The snow thrower will perform better and safer at the rate for which it was designed.

DON'T OVERREACH - Guide the snow thrower at a walking pace only. Keep proper footing and balance at all times.

LIGHTING - Only operate your snow thrower in daylight or good artificial light.

STORE IDLE UNIT INDOORS-When not in use, the snow thrower should be stored indoors in a dry area out of reach of children.

MAINTAIN UNIT WITH CARE-Keep clean for best performance and to reduce the risk of injury. Inspect extension cord periodically and replace if damaged. Keep handles dry, clean and free from oil.

Do not operate the snow thrower on a slope that is too steep for safe operation. When on slopes, slow down and make sure you have good footing.

Before starting the snow thrower make sure the auger is not touching any object and is free to move.

Do not attempt to clear snow from a gravel or crushed rock surface. This product is only intended for use on hard, flat surfaces free of sand, stone and debris, wires or any other objects.

Operation of the snow thrower in the hand-held position is unsafe except in accordance with the special instructions for such use provided in the operator's manual.



CAUTION: Never throw snow towards people, pets or cars and never allow anyone in front of the snow thrower while in operation.

Objects that might clog the snow thrower or cause other damage can be hidden in the snow. Clear the area of doormats, sleds, boards, wires and other debris prior to use.

If the auger strikes a foreign object, stop the snow thrower and examine it for signs of damage. Make any necessary repairs before restarting and continuing to work.

STAY ALERT - Watch what you are doing. Use common sense. Do not operate the snow thrower when you are tired or under the influence of drugs, alcohol or medications.

If the snow thrower starts to vibrate abnormally, turn it off immediately and check for the cause. Vibration is generally a warning of trouble.

Always turn off the snow thrower, wait until the auger comes to a complete stop and disconnect from the power supply before carrying out maintenance or repairs.

Never operate the snow thrower without proper guards and other safety protective devices in place and working.

When servicing use only identical replacement parts.



CAUTION: Auger does not stop immediately after the snow thrower is turned off.



CAUTION: Risk of injury. This snow thrower is capable of causing serious injury. Do not put hands, feet or any body part or clothing near the rotating auger.



WARNING: California Proposition 65:

This product contains chemicals known to the State of California to cause cancer, birth defects or other reproductive harm.



WARNING: Cancer and Reproductive Harm - www.P65Warnings.ca.gov.

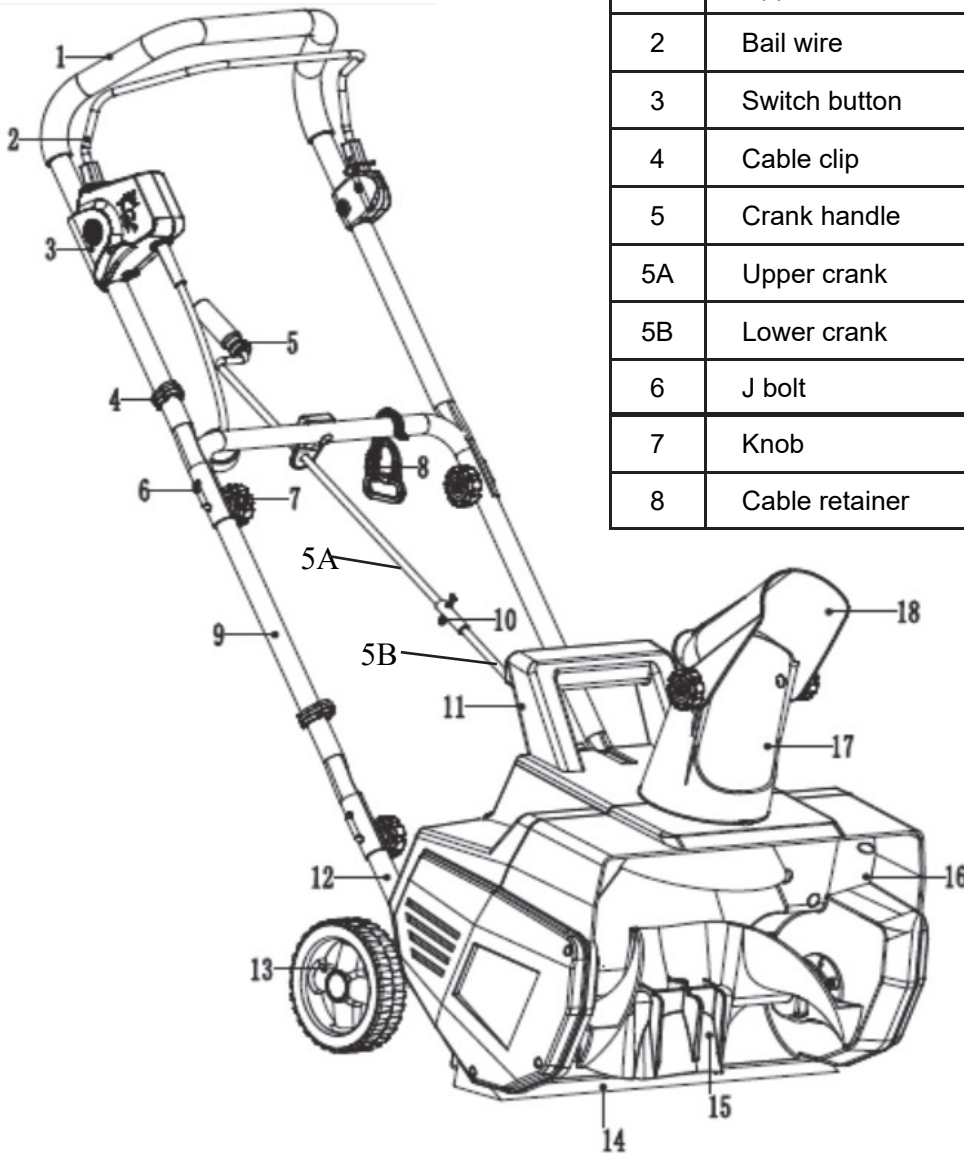
PRODUCT SPECIFICATIONS

Model: SN71018

Power supply voltage:	120V-60HZ	Clearing width:	18 inches (460 mm)
Idle speed:	2000 RPM	Max clearing depth:	12 inches (305 mm)
Power consumption:	13.5 Amp	Max Clearing capacity:	700 pounds/minute
Weight:	26.8 pounds	Throwing distance:	Up to 30 feet

PARTS LIST

No.	Description	No.	Description
1	Upper handle	9	Center handle
2	Bail wire	10	Cotter Pin
3	Switch button	11	Auxiliary handle
4	Cable clip	12	Lower handle
5	Crank handle	13	Wheel assy.
5A	Upper crank	14	Scraper blade
5B	Lower crank	15	Auger
6	J bolt	16	Side cover
7	Knob	17	Discharge chute
8	Cable retainer	18	Chute deflector



ASSEMBLY

UNPACKING

This product requires assembly.

Carefully remove everything from the box. Make sure that all items listed in the packing list are included.

Inspect all items carefully to make sure no breakage or damage occurred during shipping.

Do not discard the packing material until you have carefully inspected and satisfactorily operated the snow thrower.

PACKING LIST

- Snow Thrower
- Handle Assembly
- Chute Crank
- Chute Deflector
- Owner's Manual
- Hardware bag

INSTALLING CENTER HANDLE

- Position the center handle and make sure the bracket is pointed downward. (See Fig 1)
- Align the holes on the center handle with the holes in the lower handle as shown. (See Fig 2)
- Insert J-bolt through both handles with the threaded end at the bottom and facing inside. (See Fig 3)
- Install the handle knob and tighten securely to secure the bolt in place. (See Fig 4)
- Repeat on the opposite side to secure the center handle in place. (See Fig 5)



Fig. 1

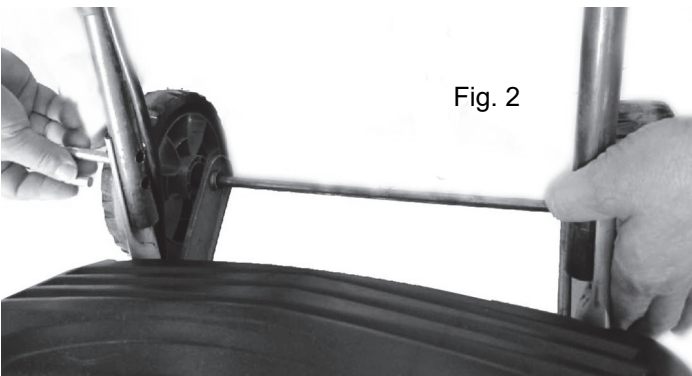


Fig. 2

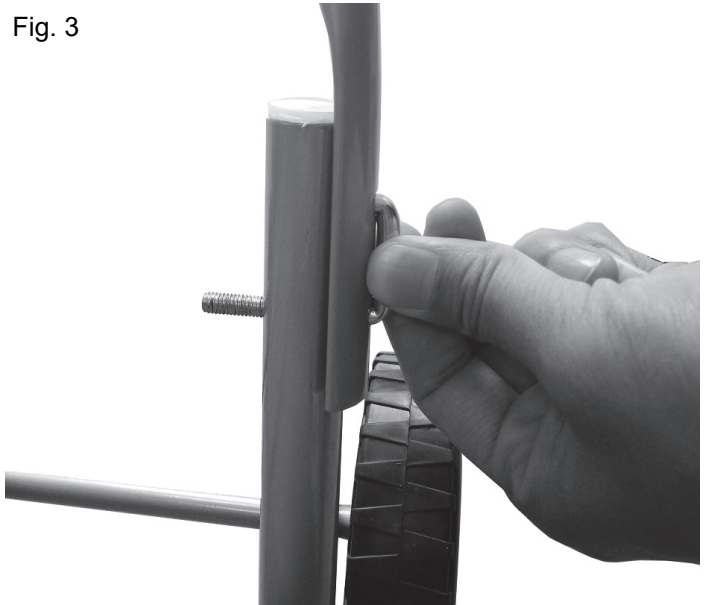


Fig. 3



Fig. 4

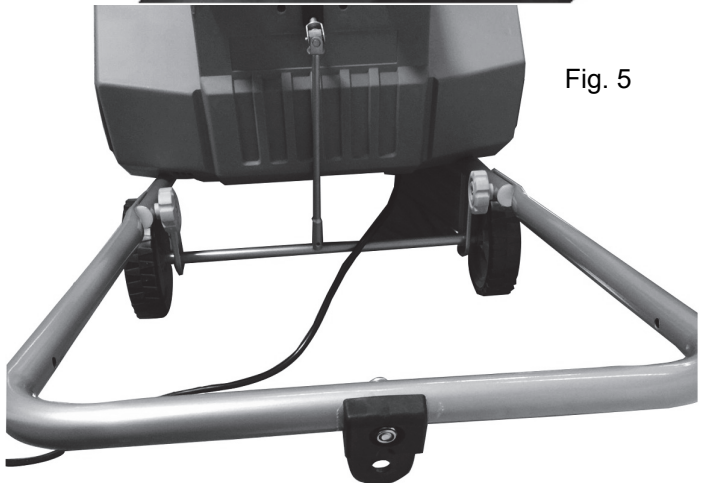


Fig. 5

ASSEMBLY

INSTALLING UPPER HANDLE

- Align the holes on the upper handle with the holes in the center handle as shown. (See Fig 6)
- Insert threaded end of J bolt through both handles with the threaded end facing inside.
- Install the handle knob and tighten secure.
- Repeat on the opposite side.
- Secure the cable clip to handles. (See Fig 7).

Fig. 6



Fig. 7

INSTALLING CHUTE CRANK

- Install the upper chute crank through the bracket located on the center handle. (See Fig 8)
- Align the holes in the upper and lower cranks and insert the cotter pin through the holes as shown to secure. (See Fig 9 and Fig 10)
- Turn the lever left and right to verify the proper functioning of the crank and the chute.

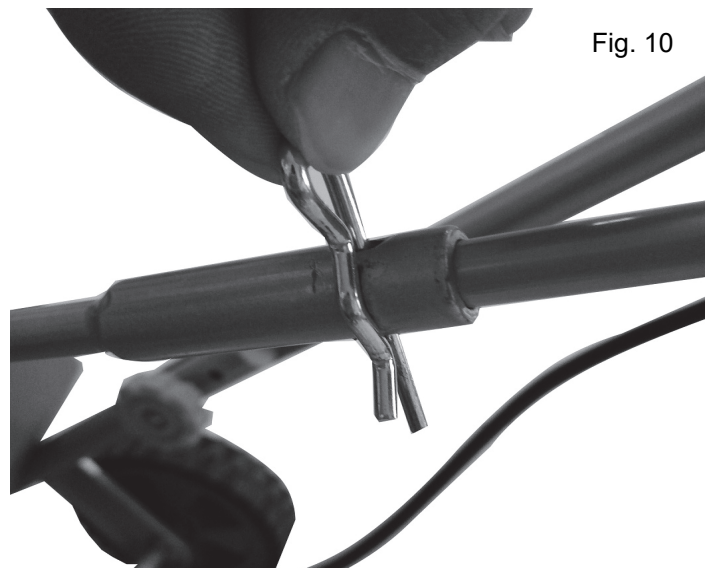
Fig. 8



Fig. 9



Fig. 10



ASSEMBLY

INSTALLING CHUTE DEFLECTOR

- Take the washer out of hardware bag. (See Fig 11)
- Position the washer onto the discharge chute. (See Fig 12)
- Position the chute deflector over the discharge chute. Align the holes and place the washer between the deflector and chute. (See Fig 13)
- Secure tightening the knobs firmly. (See Fig 14 - 15)

Fig. 11

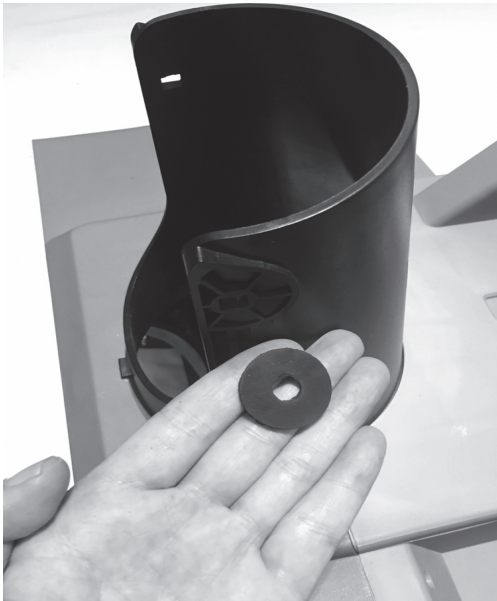


Fig. 13



Fig. 14



Fig. 12




Fig. 15

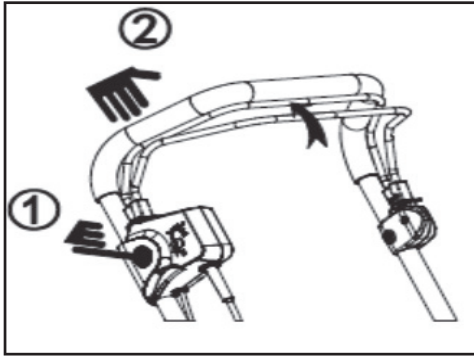


OPERATING

Turning On and Off

 **WARNING:** The auger starts rotating immediately after the snow thrower is switched on. Keep hands and feet away from the auger.

To switch ON, make sure the auger is not touching any surface. Press down and hold the safety lock off button (1). While holding down the button pull back on bail wire (2). Once the snow thrower is started you can release the safety lock off button.



To switch off simply release the bail wire.

Removing snow

Before starting work, thoroughly inspect the area where the equipment is to be used and remove all doormats sleds, boards, wires and any other foreign objects.

Check the condition of the snow thrower before operating it to ensure that the auger turns freely.

Check the auger for wear and tear at regular intervals.

Make sure all fasteners on the snow thrower (screws, nuts, etc.) are fully tightened.

Position the discharge chute so that snow will discharge in a safe direction. Do not direct the discharge towards people or areas where property can be damaged. Keep children, pets and others away for the work area. Do not walk in front of the snow thrower when it is running.

Direct the discharge to the right or left by turning the discharge chute with the chute crank. The chute can be adjusted up to 180 degrees.

The chute deflector on the top of the discharge chute controls the height of the discharge. Loosen both of the knobs to raise or lower the deflector to the desired height and tighten the knobs to secure the deflector.

NOTE: Do not over-tighten the knobs.

For the most efficient snow removal throw the snow downwind and slightly overlap each swath.

Push the snow thrower forward at a comfortable rate of speed, yet slow enough to clear the path completely. The width and depth of the snow determines your forward speed.

Start your clearing path near the electrical outlet and work outward, throwing snow in a back and forth motion.

When turning at the end of a swath, step over the cord and turn the snow thrower. Use the wheel on one side as the pivot point. Slightly tilt the snow thrower on this pivot point while turning.

The snow thrower can remove up to 12 inches deep in one pass. To shave down larger banks of snow, lift the snow thrower by the primary and auxiliary handles and place the snow thrower on the bank. Let the weight of the snow thrower shave down the bank by rocking it in a back-and-forth motion.

When clearing steps, hold the snow thrower by the primary and auxiliary handles and use a swinging or sweeping motion.

Clear snow often, before it gets too deep. It is best to remove the snow as soon as possible after it falls.

Some parts of the snow thrower may freeze under extreme temperature conditions. If parts freeze while the snow thrower is in use, stop the snow thrower, unplug the extension cord and inspect for frozen parts. Free all parts of ice before restarting or operating the snow thrower. Do not attempt to operate the snow thrower with frozen parts or try to force controls that are frozen.

OPERATING

After clearing the snow, continue to run the snow thrower for a few minutes to prevent ice from freezing on moving parts. Then switch off the motor, wait for all moving parts to stop, and wipe the ice and snow from the snow thrower with a clean rag.

WARNING: To avoid serious personal injury, do not use hands or feet to unplug the chute.

Before unclogging the chute, shut off the snow thrower and disconnect from the power supply. Wait for the auger to stop turning. Clean out the chute with a wooden stick such as a broom handle.

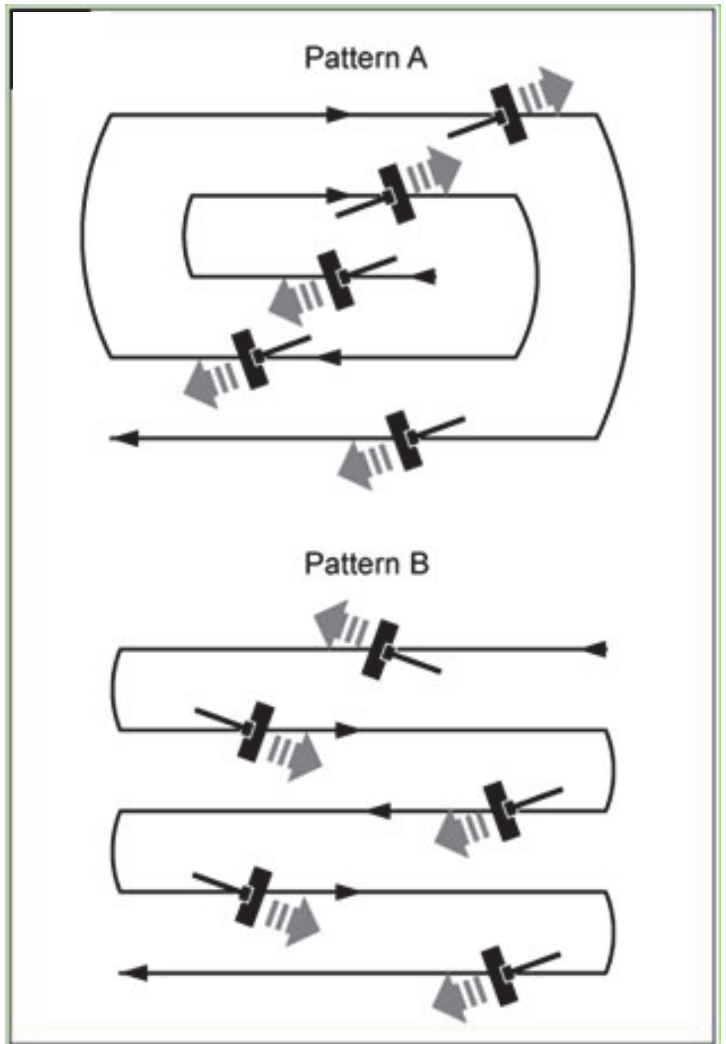
If the snow thrower should start to vibrate abnormally, immediately stop the motor and check for the cause. Vibration is generally a warning of trouble.

Look behind and use care when backing up with the snow thrower.

For large areas a definite pattern of operation is required to thoroughly clean an area of snow. These patterns will avoid throwing snow in unwanted places as well as eliminating a second removal of snow.

Pattern A: Throw the snow to the right or left side where it is possible. For areas such as a long driveway it is advantageous to start in the middle. Plow from one end to the other, throwing snow to both sides.

Pattern B: If the snow can only be thrown to one side of the area to be cleared, start on the opposite side.



Overload Protection

The over current protection will automatically turn off the snow thrower when the circuit overloads. If the motor stops, you can restart the snow thrower in 1 to 3 minutes.

MAINTENANCE

Before carrying out maintenance operations, disconnect power supply.

Regular cleaning and maintenance of your snow thrower will ensure efficiency and prolong the life of the product.

Check all fasteners at frequent intervals for proper tightness to be sure the snow thrower is in safe working condition.

After each use, let the motor run for a few minutes so that moving parts do not freeze. Then shut off the motor, wait for all moving parts to stop, and wipe the ice and snow from the snow thrower. Rotate the chute crank several times to remove snow.

Only use a cloth soaked with hot water and a soft brush to clean the snow thrower. **Never wet or spray water on the machine!**

Do not use detergents or solvents as these could cause irreparable damage to the snow thrower. Chemicals can destroy the plastic parts.

To protect the snow thrower from corrosion when storing for long periods, lightly oil the metal parts.

Store the snow thrower in a dry area out of reach of children.

For the user's safety, worn or damaged parts must be replaced. Replace with original replacement parts only. Parts from another snow thrower may not fit properly causing an unsafe situation.

Lubricating the snow thrower

You do not need to lubricate the snow thrower. All of the bearings are sealed and were lubricated at the factory for the life of the snow thrower.

Replacing the plates on auger

Detach the worn plate by removing the two sets of nuts, bolts, and washers used to secure it.

Install the new plate.

Insert the bolt with the small flat washer into the corresponding holes on each end of the plate. Use a large flat washer and locknut to secure the bolt on each end.

Install the other plate in the same manner.

Replacing the scraper

The scraper is located at the base of the snow thrower beneath the auger housing.

Remove the screws that secure the scraper to the snow thrower.

Install the new scraper and fasten it securely with the screws. (See Fig 16)

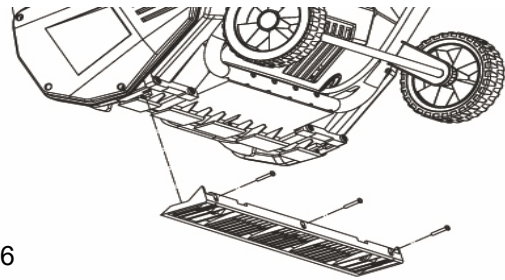


Fig 16

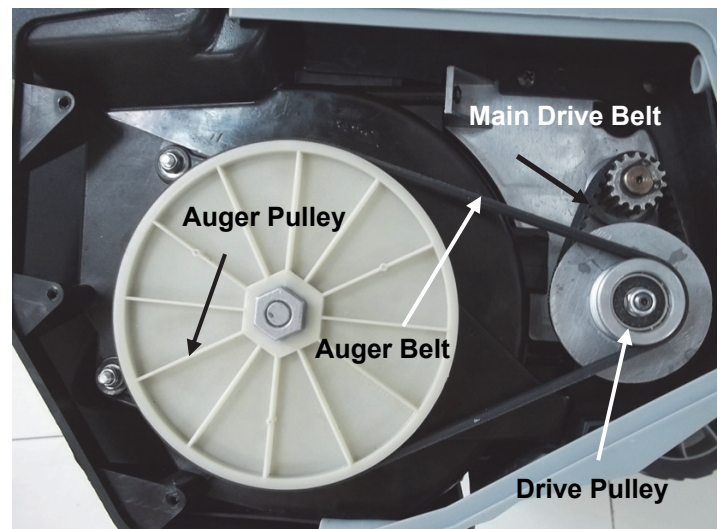
Replacing the auger belt

Contact Earthwise for new belts and installation kit.

Under normal operating conditions it should not be necessary to replace the auger belt. However, should the auger jam or malfunction the belt could be damaged. To replace the belt follow these instructions.

Belt drive system structure (See Fig 17)

Fig. 17



MAINTENANCE

1. Open the left side plate by removing three screws. (Fig. 18)

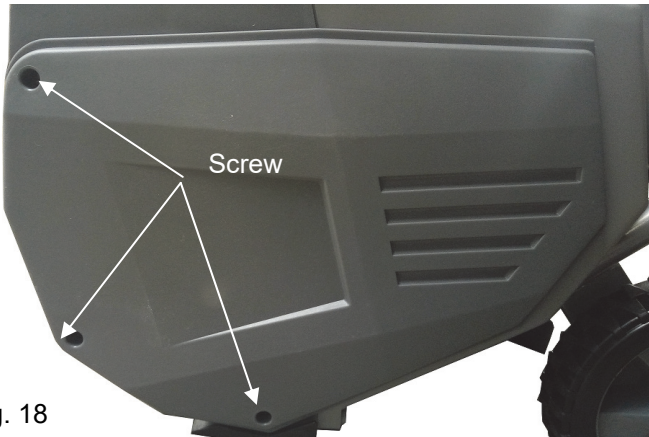


Fig. 18

2. Use your right hand to turn the rib side of the belt up and pull upwards while turning the auger pulley counterclockwise with your left hand. The belt can be easily removed from the pulley. (Fig. 19 - 20)



Fig. 19



Fig. 20

3. Put the belt on the drive pulley first and then place the belt at the lower end of the auger pulley. (Fig. 21)

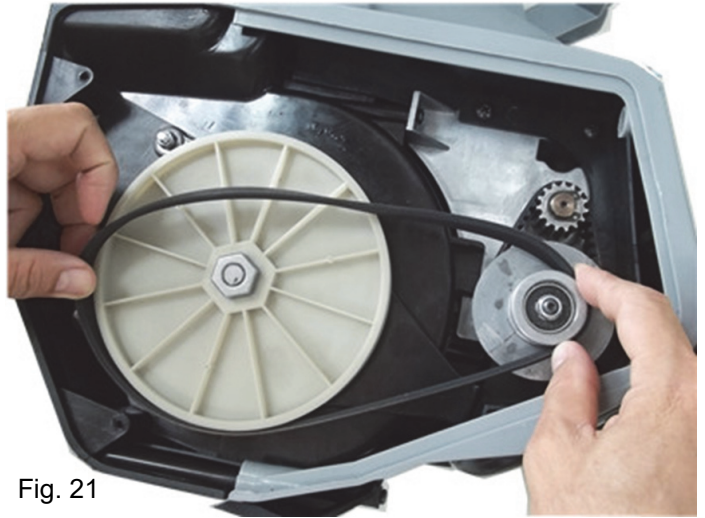


Fig. 21

4. Use right hand to press the belt with ribbed side down. (Fig. 22)



Fig. 22

5. While holding the belt down with your right hand use your left hand to turn the auger forward so that the auger pulley rotates in a clockwise direction. (Fig. 23)



Fig. 23

MAINTENANCE

6. Keep pressure on the belt with your right hand (rib side down and flat side up) while rotating the auger. The belt will be gradually pushed down onto the pulley. When the belt is seated on the pulley, adjust it so that the ribs of the belt match the grooves on the pulley. (Fig. 24 - 27)



Fig. 24



Fig. 26

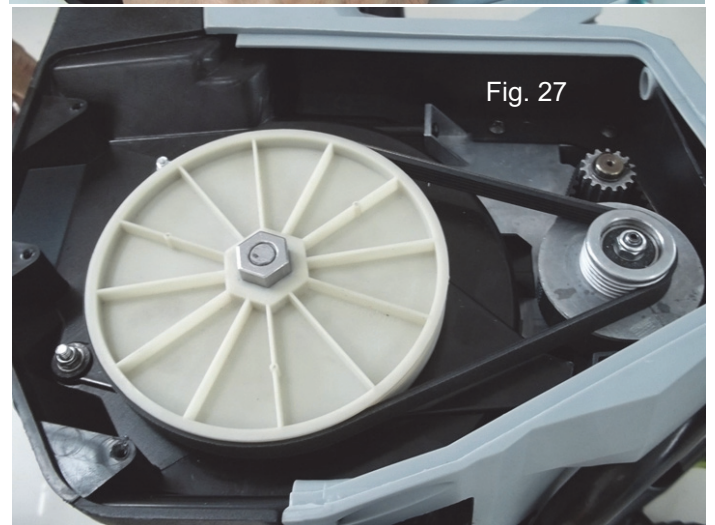


Fig. 27



Fig. 25

7. After belt is installed, replace the side plate and secure it with the three screws. (Fig. 28)



Fig. 28

STORAGE

Run the snow thrower for a few minutes to melt away any snow on the snow thrower.

Disconnect the extension cord from the snow thrower.

Examine the extension cord thoroughly for signs of wear or damage. Replace it if it is worn or damaged.

Examine the snow thrower thoroughly for worn, loose, or damaged parts. Check connections and screws and tighten if necessary. To repair or replace parts, contact our customer service help line at 1-800-633-1501.

Store the snow thrower, along with the disconnected extension cord, in a clean, dry place out of reach of children. Cover loosely with a tarp for added protection.

TROUBLESHOOTING

Problem	Possible causes	Remedy
Motor does not start	Unit not plugged in. No electricity. Defective cable.	Plug in the unit. Check power supply. Check cable. Repair or replace if required.
Poor results	Drive belt worn or damaged. Auger worn or damaged. Discharge chute blocked.	Replace the drive belt. Replace the plates on auger. Ensure the screws and nuts are properly tightened. Switch off the snow thrower and clean the discharge chute.
Abnormal vibrations	Drive belt worn or damaged. Auger worn or damaged. Scraper blade worn or damaged.	Replace the drive belt. Replace the plates on auger. Ensure the screws and nuts are properly tightened. Replace the scraper blade. Ensure the screws are properly tightened.
Motor shuts off during operation	Current too high	Restart the snow thrower after 1 to 3 minutes.

CALL US FIRST !!

Call us first with questions about operating or maintaining your product at 1-800-633-1501 between 8:00 a.m. – 5:00 p.m. Eastern Standard Time, or get assistance on americanlawnmower.com.

PARTS AND SERVICE

SERVICE

For parts or service, please call 1-800-633-1501 or visit us online at americanlawnmower.com. Be sure to provide all relevant information when you call or visit.

REPAIR PARTS

The model number of this tool is found on a plate or label attached to the housing. Please record the serial number in the space provided below.

- NAME OF ITEM Snow Thrower
- MODEL NUMBER SN71018
- SERIAL NUMBER _____

Always mention the model number when ordering kits/items for this tool.

No.	Kit/Item Number	Description	QTY
1	SN18-SBK-1	Scraper Blade/Fender Kit	1
2	SN18-AK-1	Auger Kit	1
3	SN18-HWK-1	Hardware kit	1
4	SN18-ACK-1	Adjusting Cover Kit	1
5	SN2018-Belt	Belt kit	1
6	WK-TC-SN	Wheel Kit	1
7	SN18-HK	Handle Kit	1

CALL US FIRST !!

Call us first with questions about operating or maintaining your product at 1-800-633-1501 between 8:00 a.m. – 5:00 p.m. Eastern Standard Time, or get assistance on americanlawnmower.com.



OWNER'S MANUAL

SN71018 18-IN Snow Thrower

Copyright All Rights Reserved.

WARRANTY POLICY

Two (2) year limited warranty on Earthwise outdoor power equipment.

Earthwise warrants to the original owner that each new product and service part is free from defects in materials and workmanship and agrees to repair or replace any defective product or part for the warranty period as stated above from the original date of purchase except for the conditions and circumstances listed below:

This warranty applies only to the original purchaser at retail and may not be transferred.

Warranty applies if the product is used for personal, household or family use. Warranty is void if product is used for commercial, industrial or rental purposes.

Warranty does not include repairs necessary due to operator's abuse or negligence (including overloading the product beyond capacity or immersion in water), or the failure to assemble, operate, maintain or store the product according to the instructions in the owner's manual.

This warranty is not transferable and only applies to product sold directly from an authorized retailer. This warranty does not apply to any product, new or used, purchased through unauthorized third-party channels.

ANY INCIDENTAL, INDIRECT OR CONSEQUENTIAL LOSS, DAMAGE, OR EXPENSE THAT MAY RESULT FROM ANY DEFECT, FAILURE OR MALFUNCTION OF THE PRODUCT IS NOT COVERED BY THE WARRANTY. Some states do not allow the exclusion or limitation on how long an implied warranty lasts, so the above limitation may not apply to you.

Proof of purchase, original dated sales receipt, must accompany all warranty claims.

Products sold damaged or incomplete, sold "as is", or sold as reconditioned are not covered under the warranty.

Damage or liability caused by shipping, improper handling, improper assembly, incorrect voltage, improper wiring, improper maintenance, improper modification or the use of accessories and/or attachments not specifically recommended is not covered by this warranty.

Expendable items that become worn during normal use are not covered by the warranty.

Warranty does not cover damage caused by cold, heat, rain, excessive humidity, corrosive environments and materials, or other contaminants.

Warranty does not include installation, assembly or normal adjustments explained in the owner's manual.

The expense of delivering the product to the vendor and the expense of returning the product or replacement parts to the owner is not covered by the warranty.

The warranty does not cover normal deterioration of the exterior finish, including but not limited to scratches, dents, paint chips or any corrosion or discoloration caused by heat, abrasive and chemical cleaners.



American Lawn Mower Company
The Great States Corporation
7444 Shadeland Station Way,
Indianapolis, IN 46256
Phone 1-800-633-1501
www.americanlawnmower.com

In a continued commitment to improve quality, the Manufacturer reserves the right to make component changes or design changes when necessary.

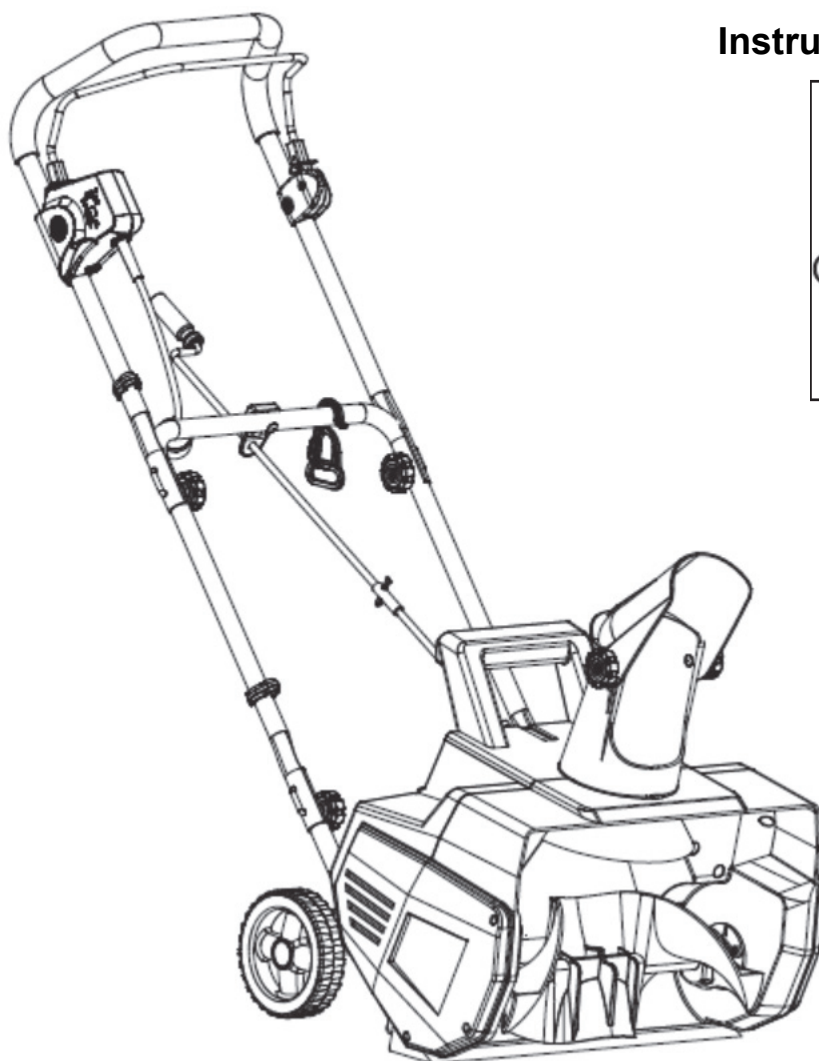


MANUAL DEL OPERARIO

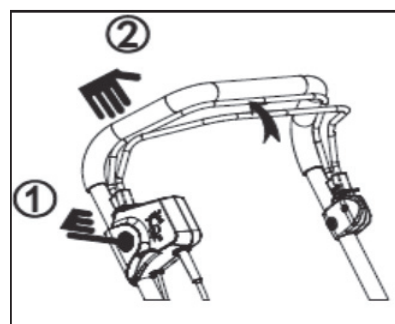
Sopladora de nieve de 460 mm (18 pulg.)

Copyright. Todos los derechos reservados.

Modelo SN71018



Instrucción de inicio rápido



De la pagina 9



Intertek

3189723
Conforms to UL std. 1090
Certified to CSA Standard
C22.2 No. 147



Este producto fue diseñado y fabricado de acuerdo con nuestros altos estándares de confiabilidad, facilidad de operación y seguridad para el operario. Si se trata con cuidado, esta herramienta le otorgará años de óptimo rendimiento y resistencia.



ADVERTENCIA: Para reducir el riesgo de sufrir alguna lesión, el usuario debe leer y comprender el manual del operario antes de usar este producto.

Muchas gracias por su compra.

NO DEVUELVA ESTE PRODUCTO A LA TIENDA. ¿TIENE PREGUNTAS SOBRE EL FUNCIONAMIENTO, EL MONTAJE, LAS PIEZAS Y EL MANTENIMIENTO? IR A AMERICANLAWNMOWER.COM O LLAME AL 1-800-633-1501 ENTRE LAS 8:00 AM Y LAS 5:00 PM, HORA DEL ESTE DE LOS ESTADOS UNIDOS. DE LOS ESTADOS UNIDOS.

GUARDE ESTE MANUAL PARA CONSULTAS FUTURAS

SÍMBOLOS

Algunos de los siguientes símbolos pueden aparecer en este producto. Tenga a bien estudiarlos y aprender su significado. La adecuada interpretación de estos símbolos le permitirá operar el producto mejor y de manera más segura.



Precauciones para su seguridad.



PRECAUCIÓN: Lea el manual de instrucciones y atienda las instrucciones de seguridad y advertencia.



PRECAUCIÓN: Retire el enchufe del tomacorriente de inmediato si el cable está dañado o cortado.



APAGUE la máquina, espere hasta que se detenga por completo y retire el enchufe del tomacorriente antes de realizar alguna tarea de mantenimiento, limpieza o reparación.



PRECAUCIÓN: Use siempre protecciones para sus ojos y oídos.



Use calzado seguro, resistente y antideslizante.



¡PELIGRO! Pueden ser lanzados objetos a gran velocidad cuando el motor está en funcionamiento. No pase delante de la máquina cuando está funcionando.



Mantenga a las personas que se encuentran en el lugar a una distancia segura.



Mantenga el cable eléctrico lejos de la barrena. La barrena puede dañar el cable y producir un contacto con piezas activas.



¡PELIGRO! Cuchillas giratorias. Mantenga manos y pies a una distancia segura.



No colocar la mano debajo de la barrena.



No colocar la mano enfrente del deflector de descarga.



No exponga la unidad a la lluvia ni la use en lugares húmedos.



¡PELIGRO! Riesgos de descargas eléctricas.



No usar en la lluvia. No usar durante tormentas eléctricas.



Los productos eléctricos no se deben desechar junto con los residuos domésticos. Recicle donde haya centros para tal fin. Consulte a la autoridad local o al distribuidor minorista para obtener asesoramiento sobre reciclado.



ADVERTENCIAS DE SEGURIDAD IMPORTANTES



PARA REDUCIR EL RIESGO DE LESIONES: Antes de utilizar este producto, cerciórese de que todos los usuarios lean y comprendan las instrucciones de seguridad y la demás información incluida en este manual.



PRECAUCIÓN: Use protección auditiva apropiada mientras trabaja. En ciertas condiciones y con cierta duración de uso, el ruido generado por este producto puede contribuir a la pérdida de la audición.



Guarde estas instrucciones y revíselas con frecuencia antes de usar la herramienta y para impartirlas a otros.

ADVERTENCIA: Al utilizar aparatos eléctricos, se recomienda respetar siempre las precauciones de seguridad básicas que se detallan a continuación, a fin de reducir riesgos de incendios, descargas eléctricas y lesiones personales.

LEA TODAS LAS INSTRUCCIONES

NORMAS GENERALES DE SEGURIDAD

CONTROLE SI HAY PIEZAS DAÑADAS. Antes de seguir usando el producto, se deberán revisar las piezas dañadas en forma exhaustiva para determinar si la herramienta funcionará correctamente y realizará el trabajo previsto. Compruebe la alineación y las uniones de las piezas móviles, el montaje, averías de componentes y otros factores que puedan afectar el funcionamiento. Se debe reparar o reemplazar cualquier pieza dañada en forma adecuada. Para recibir asistencia, comuníquese con nuestra línea de ayuda de atención al cliente al 1-800-633-1501.

EVITE AMBIENTES PELIGROSOS. No trabaje en entornos donde existan gases o sustancias explosivas. Por lo general, los motores de estos productos producen chispas que podrían inflamar los gases.

MANTENGA ALEJADOS A LOS NIÑOS. Todos los visitantes, niños y mascotas deben mantenerse a una distancia segura de la zona de trabajo.

USE ROPA ADECUADA. No use prendas sueltas ni artículos de joyería. Use protección para cubrir y sujetar el cabello largo, ya que puede quedar atrapado en las piezas móviles.

Use calzado seguro, resistente y antideslizante. En todo momento mantenga una buena base de apoyo, especialmente en pendientes.

USE GAFAS DE SEGURIDAD. Al trabajar con este producto, use gafas de seguridad con protectores laterales que cumplan con la norma ANSI Z87.1.



DOBLE AISLAMIENTO. La sopladora de nieve tiene doble aislamiento. Es decir que todas las piezas metálicas externas están aisladas del suministro eléctrico. Esto se logra con la introducción de una capa de aislamiento entre las piezas eléctricas y las mecánicas. El doble aislamiento garantiza la mayor seguridad posible.



ADVERTENCIA: Use cables de extensión para exteriores rotulados con las siguientes inscripciones: SW-A, SOW-A, STW-A, STOW-A, SJW-A, SJTW-A, o SJTOWA. Estos cables están especificados para usar al aire libre y reducir el riesgo de descarga eléctrica.

ENCHUFES POLARIZADOS. Para reducir el riesgo de descarga eléctrica, este producto tiene un enchufe polarizado. Las conexiones polarizadas encajan de una sola manera. Cerciórese de que el extremo del receptáculo del cable de extensión tenga ranuras de anchos diferentes para los contactos. Invierta el enchufe si no encaja totalmente en el cable de extensión. Si aún así no encaja, consiga un cable de extensión adecuado. Si el cable de extensión no se adapta bien al tomacorriente, llame a un electricista competente para que instale un tomacorriente adecuado. No modifique el enchufe de la herramienta ni el cable de extensión de ningún modo.

CABLE DE EXTENSIÓN. Asegúrese de que el cable de extensión esté en buenas condiciones. Además, compruebe que tenga el grosor suficiente para transportar la corriente que necesitará el producto. Un cable de extensión muy pequeño provocará una disminución en la tensión de la línea y, como resultado, una pérdida de potencia y recalentamiento. La siguiente tabla muestra el tamaño correcto que se debe usar según la longitud del cable y el amperaje de la etiqueta. Ante la duda, utilice el siguiente calibre más grueso. Cuanto más bajo es el número de calibre, más grueso es el cable.

Voltios	Calibre mínimo para los cables			
	Longitud total del cable en pies			
120V	0-25	26-50	51-100	101-150
Amperaje		Calibre AWG		
Más de	No más de			
0	- 6	18	16	14
6	- 10	18	16	12
10	- 12	16	14	12
12	- 16	14	12	No se recomienda

Es posible unir dos cables de extensión con un nudo para evitar que se desconecten durante el uso. Realice el nudo como se muestra en la imagen y luego conecte el enchufe del cable de alimentación en el receptáculo del cable de extensión.



Utilice una de las correas de sujeción del receptáculo o Conectores descritos en este manual.



ADVERTENCIA: Mantenga todas las conexiones secas y alejadas del suelo. No toque el enchufe con las manos mojadas.

Tenga presente el cable de extensión mientras opera la sopladora de nieve. Tenga cuidado de no tropezar con el cable y manténgalo siempre alejado de la barrena.

NORMAS GENERALES DE SEGURIDAD

INTERRUPTOR DE CIRCUITO POR FALLA A TIERRA (ICFT). El circuito o tomacorriente que se usen para la sopladora de nieve deben contar con esta protección. Se pueden utilizar receptáculos que tengan la protección de ICFT incorporada.



ADVERTENCIA: Nunca coloque las manos cerca de la barrena para quitar nieve, palos u otros desechos. Al limpiar la barrena, esta puede destrabarse repentinamente y provocar lesiones, aún cuando la sopladora de nieve se haya detenido. Para destapar una obstrucción, use siempre un palo de madera como el del mango de una escoba.

DESCONECTE LA UNIDAD del suministro eléctrico cuando no esté en uso o durante el servicio de mantenimiento o la limpieza. No deje la herramienta sin vigilancia.

NO MALTRATE EL CABLE. Nunca tire del cable para trasladar este producto ni para desconectarlo del receptáculo. Aleje el cable del calor, el aceite y los bordes filosos.

USE LA HERRAMIENTA CORRECTA. No utilice este producto en trabajos para los que no esté indicado.

NO SOBRECARGUE la sopladora de nieve usándola a una velocidad excesiva. La máquina funcionará mejor y de manera más segura a la velocidad para la que fue diseñada.

NO ADOPTÉ UNA POSTURA INCÓMODA. Guíe la sopladora de nieve sólo a paso de hombre. Mantenga una base de apoyo firme y buen equilibrio en todo momento.

ILUMINACIÓN. Trabaje con la sopladora de nieve sólo con luz natural o buena luz artificial.

GUARDE LA UNIDAD BAJO TECHO. Cuando no esté en uso, la sopladora de nieve se deberá guardar en un lugar seco, fuera del alcance de los niños.

MANTENGA LA UNIDAD EN CONDICIONES. Consérvela limpia para lograr un óptimo funcionamiento y reducir el riesgo de lesiones. Revise el cable de extensión periódicamente y reemplácelo si está dañado. Mantenga los mangos secos, limpios y libres de aceite.

Para un funcionamiento seguro, no utilice la sopladora de nieve en pendientes demasiado pronunciadas. Cuando trabaje en pendientes, disminuya la velocidad y asegúrese de tener una buena base de apoyo.

Antes de encender la sopladora de nieve, cerciórese de que la barrena no esté en contacto con ningún objeto y de que tenga libre movimiento.

No intente limpiar la nieve en una superficie de grava o de roca triturada. Este producto está diseñado sólo para usar sobre superficies rígidas y planas sin arena, piedras y desechos, cables o cualquier otro objeto.

El funcionamiento de la sopladora de nieve en posición manual no es seguro a menos que se utilice conforme a las instrucciones especiales provistas en el manual del operario.



PRECAUCIÓN: Nunca arroje nieve a las personas, mascotas o automóviles y no permita que nadie esté frente a la sopladora de nieve mientras está en funcionamiento.

Es posible que los objetos que pueden tapar la sopladora de nieve o causar daños estén escondidos en la nieve. Antes de usar la máquina, despeje el área de felpudos, trineos, tablas, cables y otros desechos.

Si la barrena golpea un cuerpo extraño, detenga la sopladora de nieve y verifique que no haya signos de daños. Haga las reparaciones necesarias antes de volver a empezar y continuar el trabajo.

PONGA ATENCIÓN. Observe lo que está haciendo. Use el sentido común. No opere la sopladora de nieve si está cansado o bajo la influencia de drogas, alcohol o medicamentos.

Si la sopladora de nieve comienza a vibrar de manera inusual, apáguela de inmediato y revísela para detectar la causa. Generalmente, la vibración advierte la existencia de un problema.

Antes de realizar tareas de mantenimiento o reparaciones, apague la herramienta, desconéctela del suministro eléctrico y espere hasta que la barrena se detenga por completo.

Nunca opere la sopladora de nieve si los protectores adecuados y otros dispositivos de protección no están en su lugar y en buenas condiciones.

Al efectuar el mantenimiento, use sólo repuestos idénticos.



PRECAUCIÓN: La barrena no se detiene de inmediato cuando se apaga la sopladora de nieve.



PRECAUCIÓN: Riesgo de lesiones. La sopladora de nieve puede provocar lesiones graves. No acerque ninguna parte de su cuerpo, ni prendas de vestir a la barrena giratoria.



ADVERTENCIA: Proposición 65 de California: Este producto contiene sustancias químicas al estado de California como causantes de cáncer, defectos de nacimiento u otros problemas reproductivos.



ADVERTENCIA: Cáncer y Daño Reproductivo - www.P65Warnings.ca.gov.

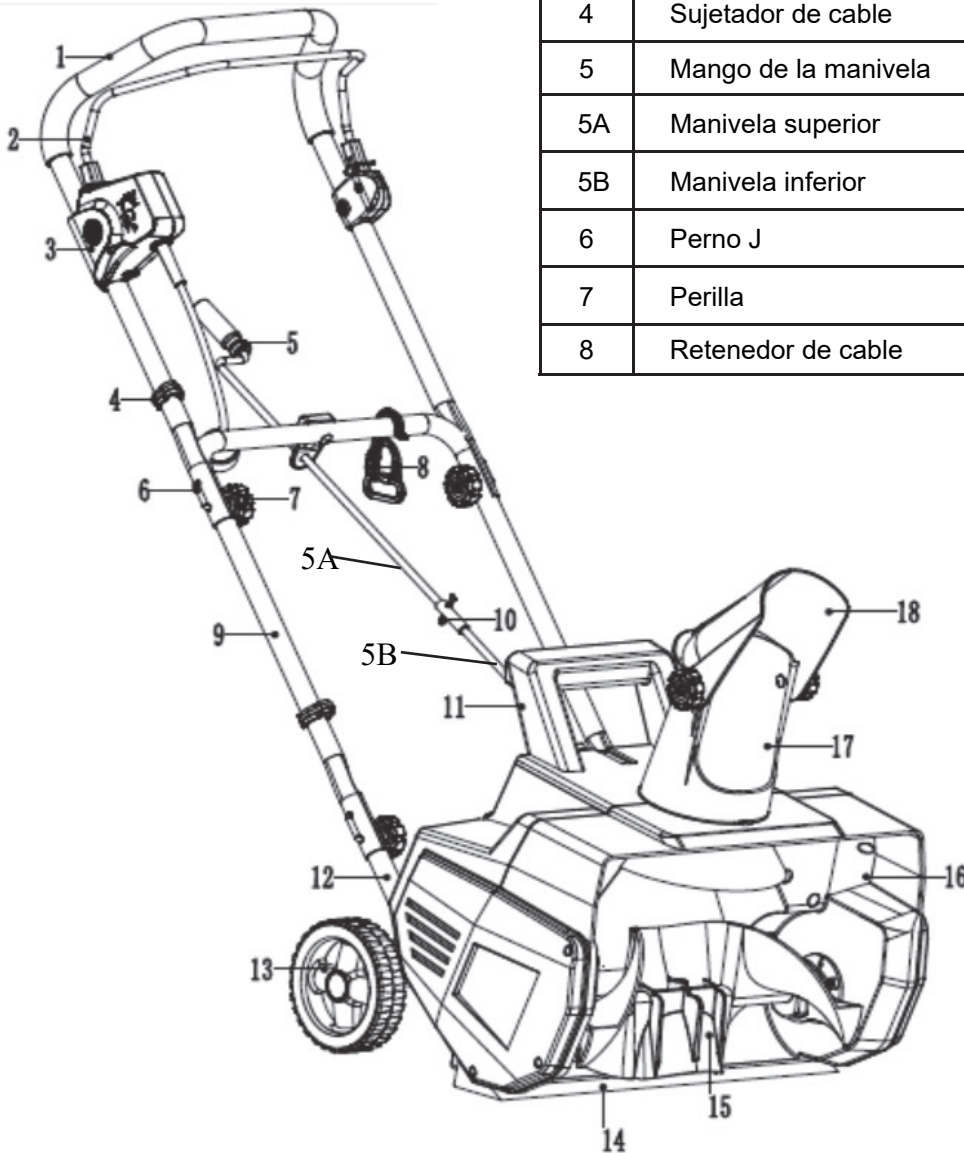
ESPECIFICACIONES DEL PRODUCTO

Modelo: SN71018

Voltaje del suministro eléctrico:	120 V - 60 HZ	Ancho de barrido:	460 mm (18 pulg.)
Velocidad de ralentí:	2000 RPM	Profundidad máx. de barrido:	305 mm (12 pulg.)
Consumo:	13,5 amperios	Capacidad de barrido:	318 kg (700 libras)/minuto
Peso:	12.15 kg (26.8 libras)	Distancia de lanzamiento:	Hasta 914 cm (30 pies)

LISTA DE PIEZAS

Ref.	Descripción	Ref.	Descripción
1	Mango superior	9	Mango central
2	Empuñadura de arranque	10	Pasador
3	Botón del interruptor	11	Mango auxiliary
4	Sujetador de cable	12	Mango inferior
5	Mango de la manivela	13	Conjunto de la rueda
5A	Manivela superior	14	Cuchilla raspadora
5B	Manivela inferior	15	Barrena
6	Perno J	16	Tapa lateral
7	Perilla	17	Canal de descarga
8	Retenedor de cable	18	Deflector de descarga



MONTAJE

DESEMBALAJE

Este producto requiere montaje.

Retire con cuidado todos los componentes de la caja. Asegúrese de que estén incluidos todos los elementos detallados en la lista de embalaje.

Inspeccione todos los elementos detenidamente para corroborar que no existan roturas ni averías ocurridas durante el envío.

No deseche el material de embalaje hasta haber inspeccionado exhaustivamente la sopladora de nieve y comprobar que funciona en forma satisfactoria.

LISTA DE EMBALAJE

- Sopladora de nieve
- Montaje del mango
- Manivela de descarga
- Deflector de descarga
- Manual del operario
- Bolsa de hardware

INSTALACIÓN DEL MANGO CENTRAL

- Ubique el mango central y cerciórese de que el soporte apunte hacia abajo. (Ver Fig. 1)
- Alinee los orificios en el mango central con los orificios en el mango inferior tal como se muestra. (Ver Fig. 2)
- Inserte el perno J a través de ambos mangos con el extremo roscado en la parte inferior y orientado hacia el interior. (Ver Fig. 3)
- Instale la perilla del mango y apriete firmemente para asegurar el perno en su lugar. (Ver Fig. 4)
- Repita del otro lado para asegurar el mango central en el lugar. (Ver Fig. 5)



Fig. 1

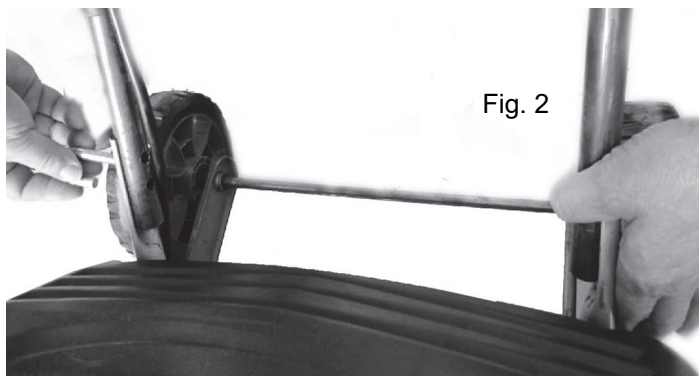


Fig. 2



Fig. 3



Fig. 4



Fig. 5

MONTAJE

INSTALACIÓN DEL MANGO SUPERIOR

- Alinee los orificios en el mango superior con los orificios en el mango central tal como se muestra. (Ver Fig. 6)
- Inserte el extremo roscado del perno J a través de ambos mangos con el extremo roscado orientado hacia el interior.
- Instale la perilla del mango y apriete firmemente.
- Repita del lado opuesto.
- Asegure el sujetador de cable a los mangos. (Ver Fig. 7)

Fig. 6



Fig. 7

INSTALACIÓN DE LA MANIVELA DE DESCARGA

- Instale la manivela de descarga superior a través del soporte situado en el mango central. (Ver Fig. 8)
- Alinee los orificios en las manivelas superior e inferior e inserte el pasador a través de los orificios tal como se muestra para asegurar. (Ver Fig. 9 y Fig. 10)
- Gire la palanca hacia la izquierda y hacia la derecha para verificar el funcionamiento adecuado de la manivela y la descarga.

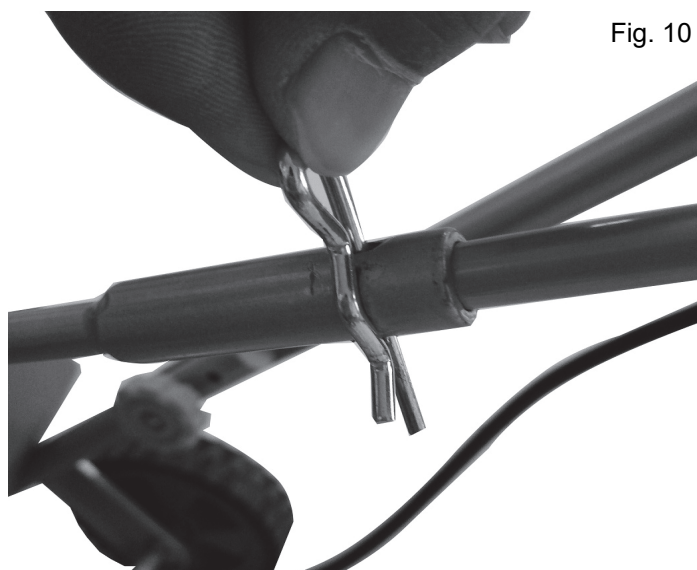
Fig. 8



Fig. 9



Fig. 10



MONTAJE

INSTALACIÓN DEL DEFLECTOR DE DESCARGA

- Saque la lavadora de la bolsa de hardware. (Ver Fig 11)
- Coloque la lavadora en el conducto de descarga. (Ver Fig 12)
- Coloque el deflector de descarga sobre la descarga. Alinee los orificios y coloque la arandela entre el deflector y la descarga. (Ver Fig. 13)
- Apriete ajustando las perillas con firmeza. (Ver Fig. 14 - 15)

Fig. 11

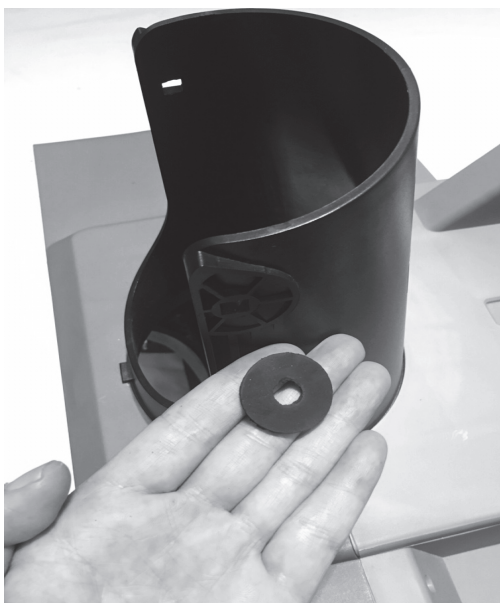


Fig. 13



Fig. 14



Fig. 12



Fig. 15

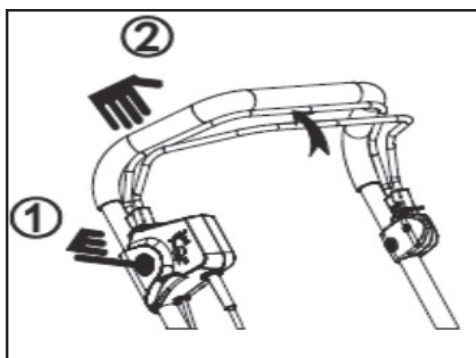


FUNCIONAMIENTO

Encendido y apagado

ADVERTENCIA: La barrena comienza a girar inmediatamente después de que la sopladora de nieve se enciende. Mantenga manos y pies alejados de la barrena.

Para encenderlo, asegúrese de que la barrena no esté tocando ninguna superficie. Presione y mantenga presionado el botón de arranque (1). Mientras mantiene presionado el botón de arranque, tire hacia atrás del cable de seguridad (2). Una vez que la sopladora de nieve está en marcha puede soltar el botón de bloqueo de seguridad.



Para apagar, simplemente suelte la empuñadura de arranque.

Remoción de la nieve

Antes de comenzar a trabajar, inspeccione bien el área donde se utilizará el equipo y retire felpudos, trineos, tablas, cables y cualquier otro objeto extraño.

Verifique el estado de la sopladora de nieve antes de operarla para asegurarse de que la barrena gire libremente.

Inspeccione regularmente la barrena para detectar si está gastada o dañada.

Asegúrese de que todos los sujetadores de la sopladora de nieve (tornillos, tuercas, etc.) estén ajustados totalmente.

Ubique el canal de descarga de modo que descargue la nieve en una dirección segura. No dirija la descarga hacia otras personas o áreas en las que se pueda dañar la propiedad. Mantenga a los niños, mascotas y a otras personas alejados de la zona de trabajo. No pase delante de la sopladora de nieve cuando está en funcionamiento.

Dirija la descarga hacia la derecha o hacia la izquierda girando el canal de descarga con la manivela. La descarga puede ajustarse hasta 180 grados.

El deflector de descarga, ubicado en la parte superior del canal de descarga, controla la altura de la descarga. Afloje las dos perillas en para levantar o bajar el deflector a la altura deseada y ajústelas para sujetar el deflector. NOTA: No ajuste excesivamente las perillas.

Para una mejor remoción de la nieve, arroje la nieve en la dirección del viento y solape ligeramente cada franja.

Empuje la sopladora de nieve hacia adelante a una velocidad cómoda pero lo suficientemente despacio para despejar el camino por completo. El ancho y profundidad de la nieve determina la velocidad de avance.

Comience despejando el camino cerca del tomacorriente y trabaje hacia afuera, arrojando nieve con un movimiento de atrás hacia delante.

Cuando gire al final de una franja, pase por encima del cable y gire la sopladora de nieve. Use la rueda de uno de los lados como punto de pivote. Inclíne ligeramente la máquina sobre este punto de pivote mientras la gira.

La sopladora de nieve puede quitar hasta 30 cm (12 pulg.) de profundidad en una pasada. Para quitar bancos de nieve más grandes, levante la máquina por los mangos superior e inferior y colóquela sobre el banco. Deje que el peso de la sopladora quite el banco de nieve moviéndola de atrás hacia delante.

Para despejar escalones, sostenga la sopladora de nieve por los mangos superior e inferior con un movimiento deslizante o de barrido.

Limpie la nieve con frecuencia antes de que sea demasiado profunda. Es mejor quitar la nieve apenas cae.

Algunas piezas de la sopladora de nieve pueden congelarse en condiciones de temperaturas extremas. Si las piezas se congelan mientras la máquina está en uso, deténgala, desconecte el cable de extensión e inspeccione las piezas congeladas. Quite el hielo de todas las piezas antes de volver a arrancar u operar la sopladora de nieve. No intente operar la máquina con piezas congeladas ni trate de forzar los controles que están congelados.

Después de quitar la nieve, siga usando la sopladora de nieve durante unos minutos para evitar que el hielo se congele en las piezas móviles. Luego apague el motor, espere a que se detengan las piezas móviles y seque el hielo y la nieve de la sopladora de nieve con un paño limpio.

FUNCIONAMIENTO

ADVERTENCIA: Para evitar lesiones personales graves, no use las manos ni los pies para destapar el canal.

Antes de destapar, apague la máquina y desconecte la alimentación. Espere a que la barrena deje de girar. Limpie la descarga con un palo de madera como el del mango de una escoba.

Si la sopladora de nieve comienza a vibrar de manera inusual, apáguela de inmediato y revísela para detectar la causa. Generalmente, la vibración advierte la existencia de un problema.

Mire hacia atrás y tenga precaución al retroceder con la sopladora de nieve.

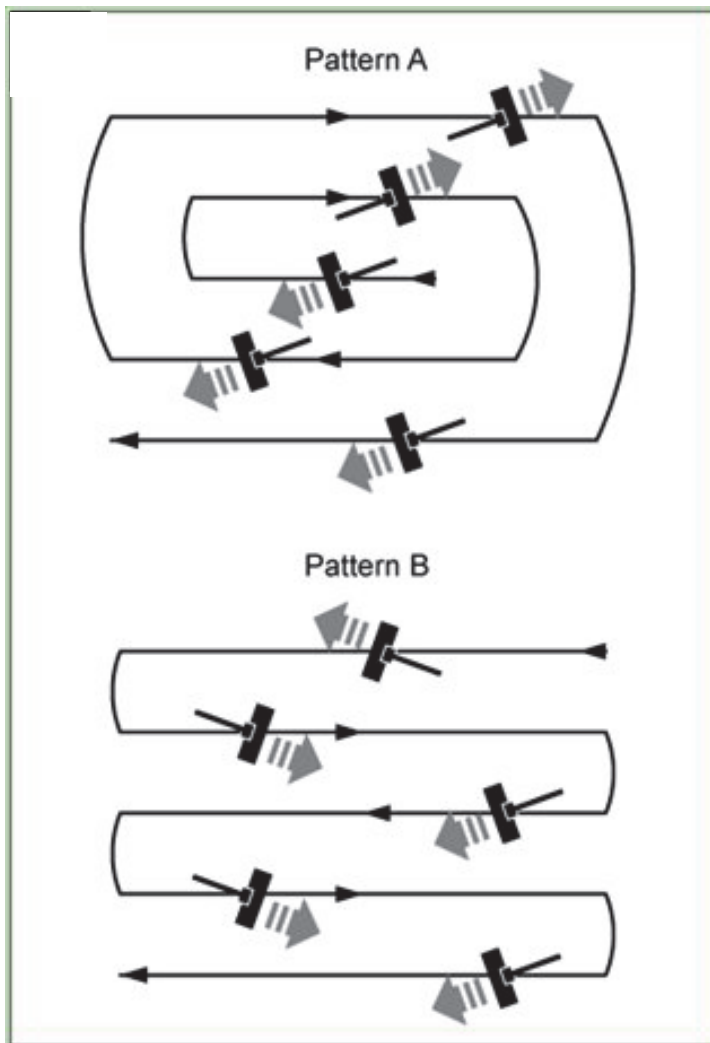
Las grandes superficies requieren un patrón definido de operación para limpiar completamente un área de nieve. Estos patrones evitarán arrojar nieve en lugares no deseados y también evitarán una segunda pasada.

Patrón A: Arroje la nieve a la derecha o a la izquierda donde sea posible. Para áreas como un largo camino de entrada, es mejor comenzar en el medio. Limpie de un extremo a otro, arrojando la nieve a ambos lados.

Patrón B: Si la nieve sólo se puede arrojar a un lado del área a despejar, comience en el lado opuesto.

Protección contra sobrecarga

The over current protection will automatically turn off the snow thrower when the circuit overloads. Si el motor se detiene, puede volver a encender la sopladora de nieve en 1 a 3 minutos.



MANTENIMIENTO

Antes de realizar tareas de mantenimiento, desconecte el suministro eléctrico.

Una limpieza y mantenimiento periódicos de la sopladora de nieve asegurará su eficacia y prolongará la vida útil del producto.

Verifique con frecuencia que todos los sujetadores estén bien ajustados para asegurarse de que la sopladora esté en buenas condiciones.

Después de cada uso, deje que el motor funcione unos minutos para que las piezas móviles no se congelen. Luego apague el motor, espere a que se detengan las piezas móviles y seque el hielo y la nieve de la sopladora de nieve. Gire la manivela de descarga varias veces para retirar la nieve.

Use únicamente un paño humedecido con agua caliente y un cepillo suave para limpiar la sopladora de nieve. **¡Nunca moje o rocíe agua en la máquina!**

No utilice detergentes ni solventes, ya que podrían ocasionar daños irreversibles a la sopladora de nieve. Los productos químicos pueden destruir las piezas plásticas.

Cuando almacene la sopladora de nieve durante un período prolongado, lubrique ligeramente las piezas metálicas con aceite para proteger la unidad de la corrosión.

Guarde el artefacto en un lugar seco fuera del alcance de los niños.

Para la seguridad del usuario, las piezas gastadas o dañadas se deben reemplazar. Reemplace sólo con piezas de repuesto originales. Las piezas provenientes de otra sopladora de nieve pueden no adaptarse adecuadamente, lo que provocaría una situación de inseguridad.

Lubricación de la sopladora de nieve

No necesita lubricar la sopladora de nieve. Todos los rodamientos están sellados y fueron lubricados en fábrica para la vida útil de la máquina.

Reemplazo de las placas de goma en la barrena.

Quite la placa de goma usada retirando los dos juegos de tuercas, pernos y arandelas que se utilizan para sujetarla.

Instale la placa de goma nueva.

Coloque el perno con la arandela plana pequeña en los orificios correspondientes en cada uno de los extremos de la placa de goma. Use una arandela plana grande y una tuerca de fijación para sujetar el perno en cada uno de los extremos.

Instale la otra placa de goma de la misma manera.

Reemplazo del raspador

El raspador está ubicado en la base de la sopladora de nieve, debajo de la caja del barrena.

Retire los tornillos que sujetan el raspador a la sopladora de nieve.

Instale el raspador nuevo y sujételo bien con los tornillos. (Ver Fig. 16)

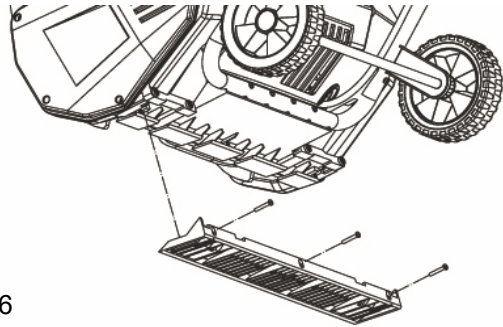


Fig 16

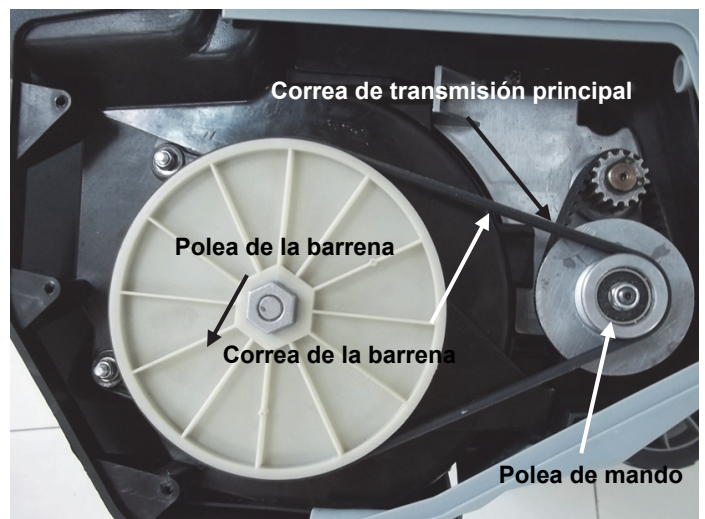
Reemplazo de la correa de la barrena

Póngase en contacto con Earthwise para obtener nuevas correas y un kit de instalación.

En condiciones de operación normales, no debería ser necesario reemplazar la correa de la barrena. No obstante, si la barrena se atasca o funciona mal, puede dañarse la correa. Para reemplazar la correa, siga estas instrucciones.

Estructura del sistema de correa de transmisión .(Ver Fig. 17)

Fig. 17



MANTENIMIENTO

1. Abra la placa del lado izquierdo quitando tres tornillos. (Fig. 18)

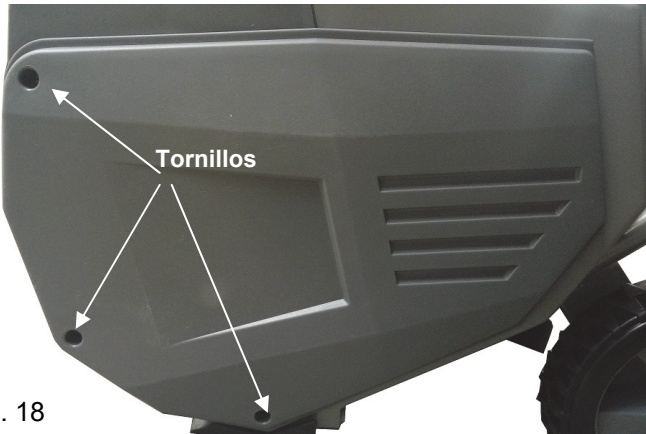


Fig. 18

2. Utilice la mano derecha para levantar el lado plegado de la correa y jale hacia arriba mientras hace girar la polea de la barrena con la mano izquierda en el sentido contrario a las agujas del reloj. Ahora puede quitarse fácilmente la correa de la polea. (Fig. 19 - 20)



Fig. 19



Fig. 20

3. Coloque primero la correa en la polea de mando y enseguida coloque la correa en el extremo inferior de la polea de la barrena. (Fig. 21)

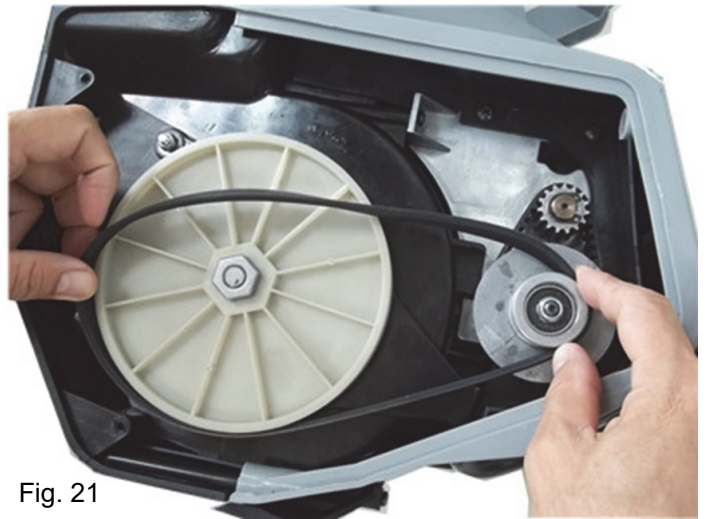


Fig. 21

4. Utilice la mano derecha para presionar la correa con el lado plegado hacia abajo. (Fig. 22)



Fig. 22

5. Mientras presiona la correa hacia abajo con su mano derecha, deslice la barrena hacia adelante con su mano izquierda para que la polea de la barrena gire en el sentido de las agujas del reloj. (Fig. 23)



Fig. 23

MANTENIMIENTO

6. Mientras gira la barrena, siga presionando la correa con su mano derecha (con el lado plegado hacia abajo y el lado plano hacia arriba). La correa será empujada poco a poco dentro de la polea. Cuando la correa quede asentada en la polea, ajústela de manera que los pliegues de ésta coincidan con las ranuras de la polea. (Fig. 24 - 27)



Fig. 24



Fig. 26

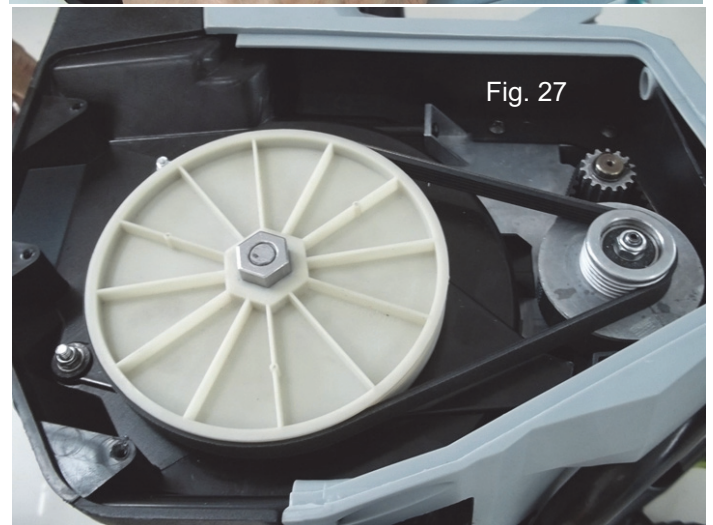


Fig. 27

7. Después de instalar la correa, reemplace la placa lateral y asegúrela con los tres tornillos. (Fig. 28)

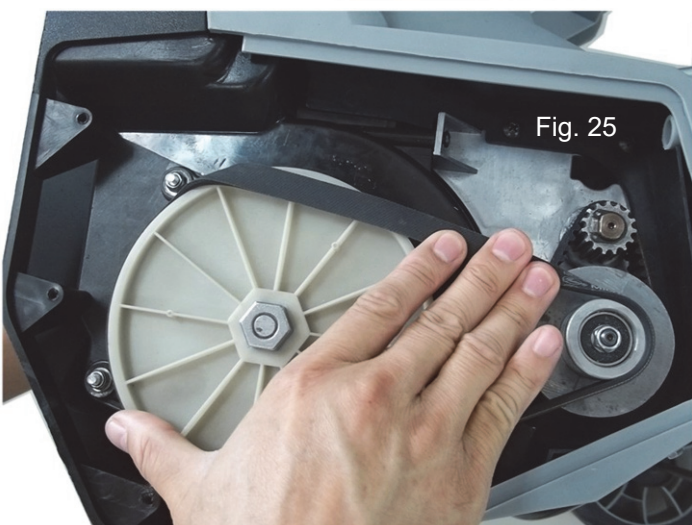


Fig. 25

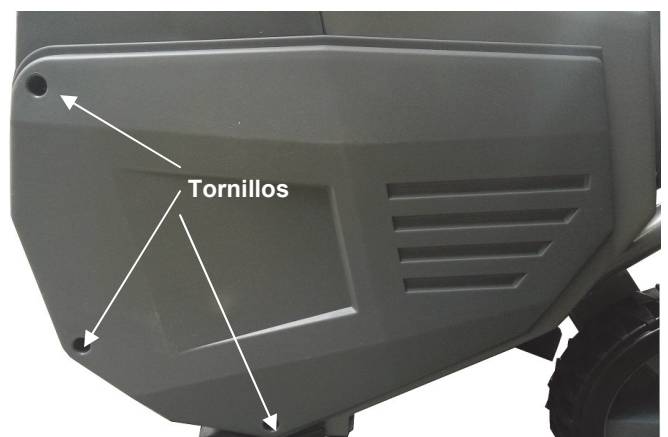


Fig. 28

ALMACENAMIENTO

Use la sopladora de nieve durante unos minutos para derretir y quitar la nieve de la máquina.

Desconecte el cable de extensión de la sopladora.

Inspeccione bien el cable de extensión para detectar si está gastado o dañado. Si es así, reemplácelo.

Verifique bien la sopladora de nieve para detectar si hay piezas gastadas, flojas o dañadas. Revise las conexiones y los tornillos, y ajústelos si es necesario. Para reparar o reemplazar piezas, comuníquese con nuestra línea de ayuda de atención al cliente al 1-800-633-1501.

Guarde la sopladora de nieve junto con el cable de extensión desconectado en un lugar limpio y seco, fuera del alcance de los niños. Cúbrala con una lona floja para mayor protección.

SOLUCIÓN DE PROBLEMAS

Problema	Posibles causas	Solución
El motor no arranca	La unidad no está enchufada. No hay electricidad. Cable defectuoso.	Enchufe la unidad. Revise el suministro eléctrico. Revise el cable. Repare o reemplácelo, si fuera necesario.
Resultados no satisfactorios	Correa de transmisión gastada o dañada. Barrena gastada o dañada. Canal de descarga tapado.	Reemplace la correa de transmisión. Reemplazo de las placas de goma en la barrena. Asegúrese de que los tornillos y las tuercas estén ajustados correctamente. Apague la sopladora de nieve y limpie el canal de descarga.
Vibraciones inusuales	Correa de transmisión gastada o dañada. Barrena gastada o dañada. Cuchilla raspadora gastada o dañada.	Reemplace la correa de transmisión. Reemplazo de las placas de goma en la barrena. Asegúrese de que los tornillos y las tuercas estén ajustados correctamente. Reemplace la cuchilla raspadora. Asegúrese de que los tornillos estén ajustados correctamente.
El motor se apaga durante el funcionamiento	El nivel de corriente es demasiado alto	Presione el botón de reinicio. Reinicie la sopladora de nieve.

LLÁMENOS PRIMERO !!

Llámenos primero si tiene preguntas sobre el funcionamiento o el mantenimiento de este producto al .800.633.1501, de 8:00 a 17:00, hora estándar del este, obtener asistencia en americanlawnmower.com

PIEZAS Y SERVICIO

SERVICIO TÉCNICO

Para solicitar repuestos o servicio técnico, llame al 1-800-633-1501 o visite nuestra página web americanlawnmower.com. Asegúrese de proporcionar toda la información relevante cuando nos llame o visite.

REPUESTOS

El número de modelo de esta herramienta se encuentra en una placa o etiqueta adjunta a la caja. Registre el número de serie en el espacio provisto a continuación.

- NOMBRE DEL ARTÍCULO Sopladora de nieve
- NÚMERO DE MODELO SN71018
- NÚMERO DE SERIE _____

Mencione siempre el serial del modelo cuando ordene kits para el mismo.

N.º	Número de kit/ Número de artículo	Descripción	Cantidad
1	SN18-SBK-1	Cuchilla rascadora / kit de guardabarros	1
2	SN18-AK-1	Kit de barrena	1
3	SN18-HWK-1	Kit de hardware	1
4	SN18-ACK-1	Kit de cubierta de ajuste	1
5	SN2018-Belt	Kit de cinturón	1
6	WK-TC-SN	Kit de ruedas	1
7	SN18-HK	Kit de manija	1

LLÁMENOS PRIMERO !!

Llámenos primero si tiene preguntas sobre el funcionamiento o el mantenimiento de este producto a 1.800.633.1501, de 8:00 a 17:00, hora estándar del este, obtener asistencia en americanlawnmower.com



MANUAL DEL OPERARIO

SN71018 Sopladora de nieve de 460 mm (18 pulg.)

Copyright. Todos los derechos reservados.

POLÍTICA DE GARANTÍA

Garantía limitada dos (2) años para el equipo eléctrico para exteriores Earthwise.

Earthwise garantiza al propietario original que cada producto nuevo y pieza de repuesto está libre de defectos en el material y la mano de obra, y acepta reparar o reemplazar cualquier producto o pieza defectuosa durante el periodo de garantía según lo establecido anteriormente a partir de la fecha de compra original excepto en las condiciones y circunstancias que se indican a continuación:

La garantía se aplica solo al comprador original al menudeo y no puede transferirse.

La garantía se aplica si el producto está destinado para uso personal, doméstico o familiar. La garantía queda anulada si el producto se usa con fines comerciales, industriales o de alquiler.

La garantía no incluye reparaciones necesarias debido a abuso o negligencia por parte del operador (incluida la sobrecarga del producto que supere la capacidad o inmersión en el agua), o un error al montar, operar, mantener o almacenar el producto de acuerdo con las instrucciones del manual del operador.

Esta garantía no es transferible y solo se aplica a productos vendidos directamente por un distribuidor minorista autorizado.

Esta garantía no se aplica a cualquier producto, nuevo o usado, adquirido a través de canales de terceros no autorizados.

CUALQUIER PÉRDIDA ACCIDENTAL, INDIRECTA O RESULTANTE, DAÑO O GASTO QUE PUEDA DERIVAR DE CUALQUIER DEFECTO, FALLA O MALFUNCIONAMIENTO DEL PRODUCTO NO ESTÁ CUBIERTO POR LA GARANTÍA. En algunos estados no se permite la exclusión o limitación sobre la duración de las garantías implícitas, en cuyo caso la limitación anterior no podría aplicarse.

Todos los reclamos de garantía deben estar acompañados por el comprobante de compra, el recibo de compra original con fecha.

Los productos que se venden dañados o incompletos, que se venden "tal como están" o reacondicionados no están cubiertos por esta garantía.

Los daños o inconvenientes causados por envío, manipulación inadecuada, montaje incorrecto, voltaje o cableado incorrecto, mantenimiento deficiente, modificaciones inadecuadas o el uso de accesorios o dispositivos de sujeción no recomendados específicamente no están cubiertos por esta garantía.

Elementos consumibles que se desgastan con el uso normal cubierto por la garantía.

La garantía no cubre los daños causados por el frío, el calor, la lluvia, la humedad excesiva, ambientes y materiales corrosivos u otros contaminantes.

La garantía no incluye instalación, montaje o ajustes normales tal como se explican en el manual del operador.

Los gastos de entrega del producto al proveedor y los gastos de devolución del producto o las piezas de repuesto al propietario no están cubiertos por esta garantía.

La garantía no cubre el deterioro normal del acabado exterior, que incluye pero no se limita a rayones, abolladuras, cascarillas de pintura o cualquier corrosión o decoloración ocasionada por el calor, limpiadores abrasivos o químicos.



American Lawn Mower Company
The Great States Corporation
7444 Shadeland Station Way
Indianapolis, IN 46256
Estados Unidos
Teléfono: 1-800-633-1501
www.americanlawnmower.com

Con el compromiso constante de mejorar la calidad, el fabricante se reserva el derecho de modificar los componentes o diseñar cambios cuando lo considere necesario.

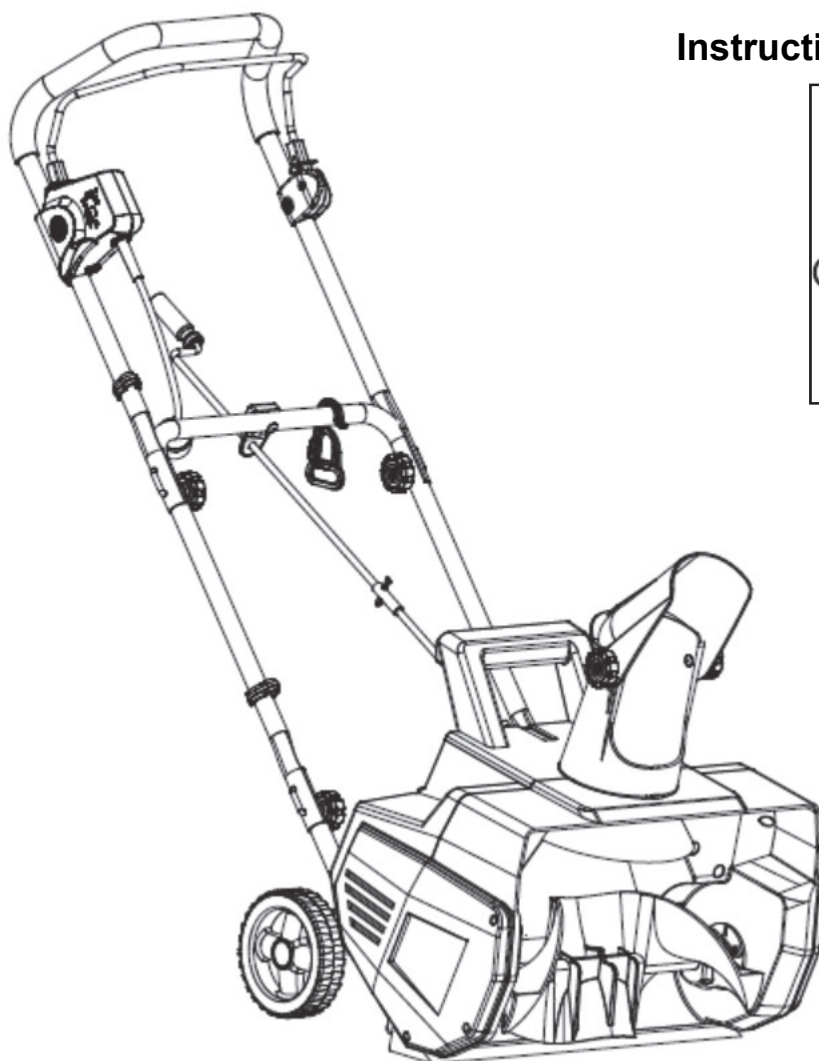


MANUEL DE L'UTILISATEUR

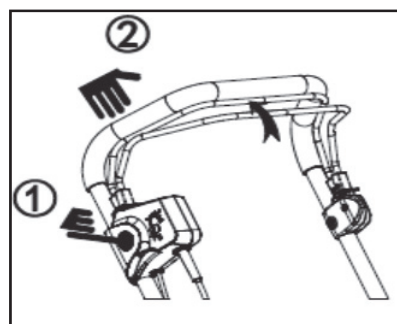
Souffleuse à neige de 46 cm (18 po)

Copyright Tous droits réservés.

Modèle SN71018



Instruction de démarrage rapide



À partir de la page 9



Intertek

3189723
Conforms to UL std. 1090
Certified to CSA Standard
C22.2 No. 147



Ce produit a été conçu et fabriqué selon nos normes élevées de fiabilité, de facilité d'utilisation et de sécurité de l'utilisateur. Correctement entretenu, il vous procurera des années de service intensif et sans souci.



AVERTISSEMENT : afin d'éviter de se blesser, l'utilisateur doit lire et comprendre le manuel de l'utilisateur avant d'utiliser ce produit.

Merci pour votre achat.

NE RENVOYEZ PAS CE PRODUIT AU MAGASIN. AVEZ-VOUS DES QUESTIONS CONCERNANT LE FONCTIONNEMENT, L'ASSEMBLAGE, LES PIÈCES OU LA RÉPARATION DU PRODUIT? ALER À AMERICANLAWNMOWER.COM OU COMPOSEZ LE 1-800-633-1501 E 8 h 00 à 17 h 00, HEURE DE L'EST, POUR TOUTE ASSISTANCE.

CONSERVEZ CE MANUEL POUR POUVOIR LE CONSULTER ULTÉRIEUREMENT

SYMBOLES

Certains des symboles suivants peuvent apparaître sur ce produit. Examinez-les et apprenez leur signification. Une interprétation correcte des symboles vous permettra d'utiliser ce produit plus efficacement et en meilleure sécurité.



Précautions concernant votre sécurité.



ATTENTION! Lisez le manuel de l'utilisateur, et respectez les notices d'avertissement et les consignes de sécurité.



ATTENTION! Débranchez immédiatement l'appareil si le câble est endommagé ou usé.



ÉTEINDRE LA MACHINE! Attendez qu'elle soit complètement arrêtée et débranchez la fiche du secteur avant tout entretien, nettoyage ou réparation!



ATTENTION! Portez toujours une protection oculaire et auditive.



Portez des chaussures couvertes solides, à semelles antidérapantes.



DANGER! Des objets peuvent être projetés à de grande vitesse lorsque le moteur est en route. Ne pas marcher devant la machine en marche.



Gardez les personnes alentour à une distance de sécurité.



Tenez le cordon électrique éloigné de la vis sans fin. Celle-ci risque d'endommager le cordon et de provoquer un contact avec des pièces énergisées.



DANGER! Lames rotatives. Gardez les mains et les pièces à une distance sûre.



Ne mettez pas la main dans la vis sans fin.



Ne mettez pas la main devant le déflecteur de la goulotte.



N'exposez pas le produit à la pluie ou l'humidité.



DANGER! Risque de décharge électrique.



N'utilisez pas cette machine sous la pluie. N'utilisez pas cette machine pendant les orages électriques.



Les équipements électriques usagés ne doivent pas être éliminés avec les ordures ménagères. Recyclez l'appareil lorsque des installations à cet effet existent. Pour obtenir des conseils de recyclage, renseignez-vous auprès des autorités locales ou de votre vendeur.



AVERTISSEMENTS DE SÉCURITÉ IMPORTANTS



POUR RÉDUIRE LE RISQUE DE BLESSURE : avant toute utilisation, assurez-vous que toute personne utilisant ce produit a lu et compris toutes les consignes de sécurité et les autres renseignements contenus dans ce manuel.



ATTENTION : portez des protections auditives appropriées pendant l'utilisation. Dans certaines conditions, ou en cas d'utilisation prolongée, le bruit émis par ce produit peut contribuer à une perte auditive.

Conservez ces instructions et relisez-les souvent avant d'utiliser le produit et lorsque vous apprenez son emploi à d'autres personnes.



AVERTISSEMENT : lorsque vous utilisez un appareil électrique, vous devez toujours respecter des consignes de sécurité de base afin de réduire le risque d'incendie, de décharge électrique et de blessures, notamment :

LIRE TOUTES LES INSTRUCTIONS

SÉCURITÉ GÉNÉRALE

VÉRIFIER LES PIÈCES ENDOMMAGÉES – Avant de poursuivre l'utilisation du produit, toute pièce endommagée doit être vérifiée scrupuleusement afin de déterminer qu'elle fonctionnera correctement et remplira sa fonction prévue. Vérifiez l'alignement des pièces mobiles, si ces dernières sont coincées, si certaines pièces sont cassées, la qualité du montage et toute autre condition pouvant affecter le fonctionnement de l'outil. Toute pièce endommagée doit être correctement réparée ou remplacée. Appelez notre service clientèle au 1-800-633-1501 pour assistance.

ÉVITER LES ENVIRONNEMENTS DANGEREUX – N'utilisez pas l'appareil dans les atmosphères gazeuses ou explosives. Le moteur de ce produit émet normalement des étincelles capables d'enflammer les vapeurs chimiques.

GARDER HORS DE PORTÉE DES ENFANTS – Tous les visiteurs, enfants et animaux domestiques doivent se tenir au-delà du périmètre de sécurité de la zone de travail.

S'HABILLER DE FAÇON APPROPRIÉE – Ne portez ni vêtements amples ni bijoux et portez une protection des cheveux pour contenir les cheveux longs. Ceux-ci risquent d'être happés par des pièces en mouvement.

Portez des chaussures couvertes solides, à semelles antidérapantes. Ne vous tenez pas en déséquilibre, en particulier sur les pentes.

PORTER DES LUNETTES DE SÉCURITÉ – Lors de l'utilisation de ce produit, portez des lunettes de sécurité avec des écrans latéraux, marquées à la norme ANSI Z87.1.



DOUBLE ISOLATION – la souffeuse à neige est doublement isolée : toutes les pièces métalliques externes sont isolées de l'alimentation électrique. Ceci est réalisé en introduisant une couche d'isolation entre les pièces électriques et mécaniques. Cette double isolation vous garantit la meilleure sécurité possible.



AVERTISSEMENT : utilisez des rallonges extérieures marquées SW-A, SOW-A, STW-A, STOW-A, SJW-A, SJTW-A ou SJTOWA. Ces câbles sont conçus pour une utilisation en extérieur et réduisent le risque de décharge électrique.

FICHES POLARISÉES – Afin de réduire le risque de décharge électrique, ce produit comporte une prise polarisée. Les connexions polarisées ne peuvent être effectuées que de la bonne façon. Assurez-vous que la prise femelle de la rallonge comporte des emplacements pour une fiche large et une fiche étroite. Si la prise ne s'adapte pas entièrement dans la rallonge, inversez la prise. Si elle ne s'adapte toujours pas, obtenez une rallonge appropriée. Si la rallonge ne convient pas à la prise murale, contactez un électricien qualifié pour installer une prise murale correcte. Ne changez en aucun cas la fiche de l'outil ou de la rallonge.

RALLONGE. Assurez-vous que la rallonge est en bon état. Lors de l'utilisation d'une rallonge, assurez-vous qu'elle est d'un calibre suffisant pour transmettre le courant consommé par le produit. Une rallonge de calibre insuffisant provoquera une baisse de tension qui entraînera une perte de puissance et une surchauffe. Le tableau suivant montre le calibre correct à utiliser en fonction de la longueur du câble et de l'intensité nominale de la plaque signalétique. En cas de doute, utilisez le calibre immédiatement supérieur. Plus le numéro de calibre est bas, plus le câble est lourd.

Voltios 120V	Calibre mínimo para los cables Longitud total del cable en pies			
	0-25	26-50	51-100	101-150
Amperaje		Calibre AWG		
Más de	No más de			
0	- 6	18	16	16
6	- 10	18	16	14
10	- 12	16	16	14
12	- 16	14	12	No se recomienda

Il est possible de nouer deux rallonges ensemble afin de les empêcher de se déconnecter pendant l'utilisation. Effectuez le nœud comme illustré, puis branchez la fiche du cordon d'alimentation dans la fiche femelle de la rallonge. Cette méthode peut également être utilisée pour raccorder deux rallonges ensemble.



Utilisez l'une des sangles de retenue ou une connecteurs décrits dans ce manuel.



AVERTISSEMENT : maintenez toutes les connexions sèches et au-dessus du sol. Ne touchez pas la fiche avec des mains mouillées. Pensez à la rallonge quand vous utilisez la souffeuse. Veuillez à ne pas trébucher sur le cordon de rallonge. Tenez toujours le cordon éloigné de la vis sans fin.

SÉCURITÉ GÉNÉRALE

Un DISJONCTEUR DE FUITE DE TERRE (GFCI) doit être présent sur le circuit ou la prise murale à utiliser pour la souffleuse. Des prises avec une protection GFCI intégrée sont disponibles et peuvent être utilisées.



AVERTISSEMENT : n'approchez jamais les mains de la vis sans fin pour en retirer de la neige, des brindilles ou d'autres débris. Une vis sans fin bloquée peut se « débloquer brusquement » et provoquer des blessures personnelles même si la souffleuse est arrêtée. Servez-vous toujours d'un bâton, une poignée de balai par ex., pour dégager les obstructions.

DÉBRANCHER L'APPAREIL de l'alimentation quand il n'est pas utilisé ou lors de l'entretien ou du nettoyage. Ne le laissez pas sans surveillance.

NE PAS TIRER SUR LE CORDON ÉLECTRIQUE – Ne portez jamais le produit par le cordon et ne tirez jamais sur le cordon pour le débrancher. Maintenez le cordon à l'écart de la chaleur, de l'huile et des rebords tranchants.

UTILISER LE BON OUTIL – N'utilisez pas ce produit pour une tâche à laquelle il n'est pas destiné.

NE PAS SURCHARGER la souffleuse en l'utilisant à une vitesse trop rapide pour nettoyer la neige. La souffleuse fonctionne mieux et de façon plus sûre à la vitesse pour laquelle elle a été conçue.

NE PAS ESSAYER D'ATTEINDRE TROP LOIN – Guidez la souffleuse à un rythme de marche à pied seulement. Gardez toujours les pieds fermement sur le sol, et ne vous tenez pas en déséquilibre.

ÉCLAIRAGE – N'utilisez la souffleuse à neige qu'à la lumière du jour ou sous un bon éclairage artificiel.

RANGER L'APPAREIL INUTILISÉ À L'INTÉRIEUR – Lorsqu'elle n'est pas utilisée, la souffleuse à neige doit être rangée à l'intérieur dans un local sec, hors de portée des enfants.

ENTREtenir L'APPAREIL AVEC SOIN – Maintenez-le propre pour un rendement optimal et pour réduire le risque de blessure. Inspectez régulièrement la rallonge et remplacez-la si elle est endommagée. Gardez les poignées sèches, propres et exemptes d'huile et de graisse.

N'utilisez pas la souffleuse à neige sur une pente trop raide pour un fonctionnement sans danger. Sur une pente, ralentissez et tenez-vous de façon à ne pas perdre l'équilibre.

Avant de démarrer la souffleuse à neige, assurez-vous que la vis sans fin ne touche aucun objet et qu'elle est libre de tourner.

N'essayez pas de déneiger une surface de gravier ou de pierres concassées. Utilisez ce produit uniquement sur des surfaces planes en dur, sans sable, pierres et débris, fils électriques ou autres objets.

L'utilisation de la souffleuse en position manuelle est dangereuse à moins de respecter les instructions spéciales du manuel de l'utilisateur.



ATTENTION : ne projetez pas de neige vers les passants, animaux ou voitures et ne laissez personne passer devant la souffleuse lorsqu'elle est en marche.

Des objets susceptibles d'obstruer la souffleuse ou de provoquer d'autres dégâts peuvent être cachés dans la neige. Avant emploi, enlevez tout paillason, luge, planches, fils électriques et autres débris de la zone.

Si la vis sans fin frappe un objet étranger, inspectez-la pour vérifier qu'elle n'est pas endommagée. Faites toute réparation nécessaire avant de redémarrer la souffleuse et de reprendre le déneigement.

RESTER VIGILANT – Regardez ce que vous faites. Faites preuve de bon sens. N'utilisez pas la souffleuse à neige si vous êtes fatigué ou sous l'influence de médicaments, de drogues ou d'alcool.

Si la souffleuse se met à vibrer de façon anormale, éteignez-la immédiatement et recherchez la cause des vibrations. La présence de vibrations est généralement un signe de problème.

Éteignez toujours la souffleuse à neige, débranchez-la du secteur et attendez que la vis sans fin se soit complètement arrêtée avant d'effectuer des travaux d'entretien ou des réparations.

N'utilisez jamais la souffleuse sans les capots et autres dispositifs de protection en place et en état de fonctionner.

N'utilisez que des pièces de rechange identiques.



ATTENTION : la vis sans fin ne s'arrête pas immédiatement après l'extinction de la souffleuse.



ATTENTION : risque de blessures. Cette souffleuse peut occasionner des blessures graves. N'approchez jamais les mains, les pieds ou d'autres parties du corps et des vêtements de la vis sans fin en rotation.



AVERTISSEMENT : Proposition 65 de la Californie : Ce produit contient des agents chimiques connus dans l'État de la Californie pour causer le cancer et des malformations congénitales ou autres appareil reproducteur.



AVERTISSEMENT : Cancer ET Troubles de l'appareil reproducteur - www.P65Warnings.ca.gov.

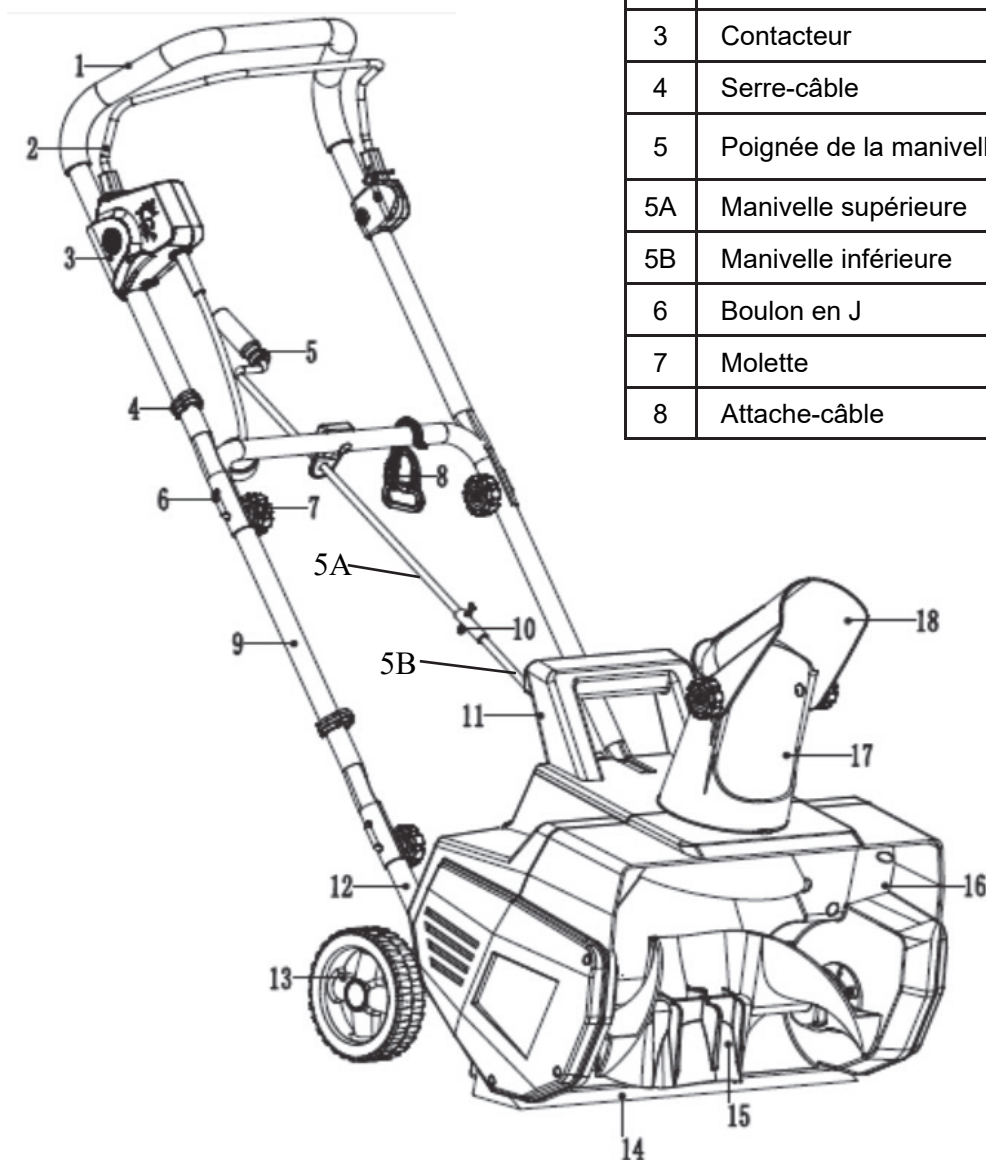
CARACTÉRISTIQUES TECHNIQUES DU PRODUIT

Modèle : SN71018

Tension d'alimentation :	120 V-60 Hz	Largeur de dégagement :	460 mm (18 po)
Vitesse au ralenti :	2000 tours/min	Profondeur de déneigement maximale :	305 mm (12 po)
Consommation électrique :	13,5 A	Capacité de déneigement :	318 kg/min
Poids	12.15 kg (26.8 lb)	Distance de projection :	Jusqu'à 9.14 m

LISTE DES PIÈCES

N°	Description	N°	Description
1	Poignée supérieure	9	Poignée centrale
2	Fil de contrôle	10	Goupille fendue
3	Contacteur	11	Poignée auxiliaire
4	Serre-câble	12	Poignée inférieure
5	Poignée de la manivelle	13	Manivelle de goulotte
5A	Manivelle supérieure	14	Lame de raclage
5B	Manivelle inférieure	15	Vis sans fin
6	Boulon en J	16	Panneau latéral
7	Molette	17	Goulotte d'évacuation
8	Attache-câble	18	Défecteur de goulotte



ASSEMBLAGE

DÉBALLAGE

Ce produit requiert un assemblage.

Sortez toutes les pièces de la boîte avec précaution. Assurez-vous que tous les éléments figurant dans la liste du contenu sont inclus.

Inspectez soigneusement les pièces pour vous assurer que rien n'a été cassé ou endommagé pendant le transport.

Ne jetez pas le matériau d'emballage tant que vous n'avez pas soigneusement inspecté et utilisé la souffleuse de façon satisfaisante.

LISTE DU CONTENU

- Souffleuse à neige
- Poignée
- Manivelle de goulotte
- Déflecteur de goulotte
- Manuel de l'utilisateur
- Sac de matériel

INSTALLER LA POIGNÉE CENTRALE

- Positionnez la poignée centrale et assurez-vous que le support pointe vers le bas. (Voir la Fig. 1)
- Alignez les trous sur la poignée centrale avec ceux sur la poignée inférieure, comme illustré. (Voir la Fig. 2)
- Faites passer le boulon en J à travers les deux poignées avec l'extrémité filetée au bas et faisant face vers l'intérieur. (Voir la Fig. 3)
- Installez le bouton de poignée et serrez fermement pour fixer le boulon en place. (Voir la Fig. 4)
- Répétez du côté opposé pour fixer la poignée centrale en place. (Voir la Fig. 5)



Fig. 1

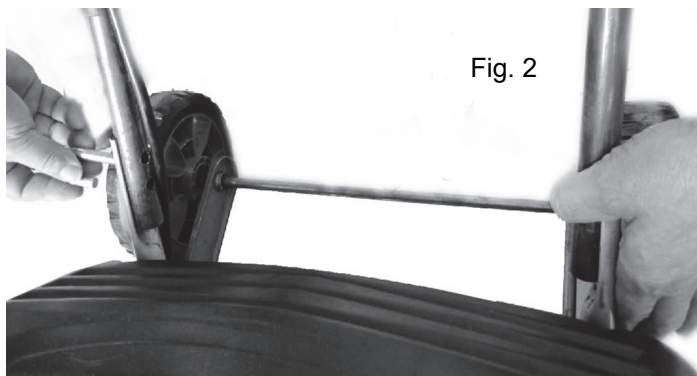


Fig. 2

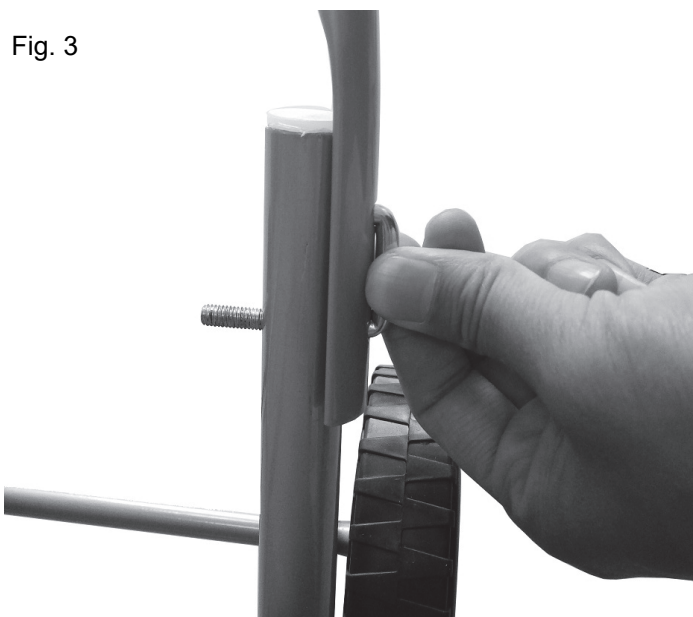


Fig. 3

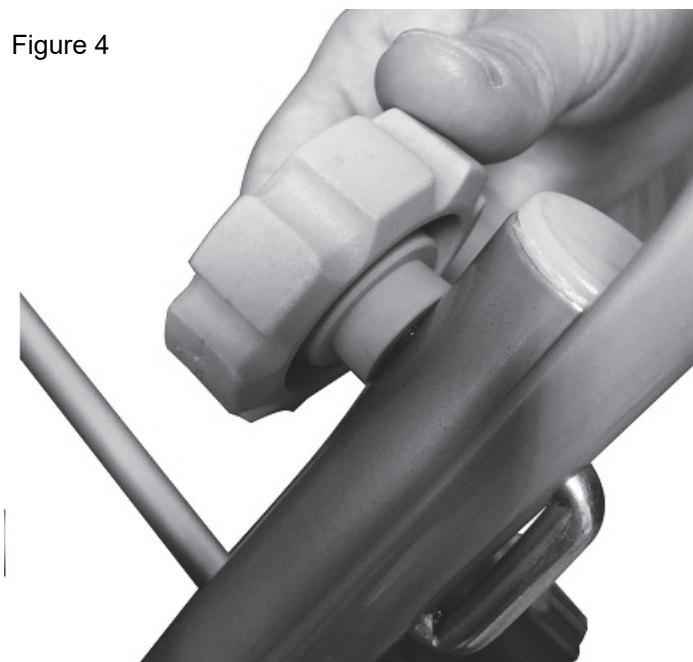


Figure 4

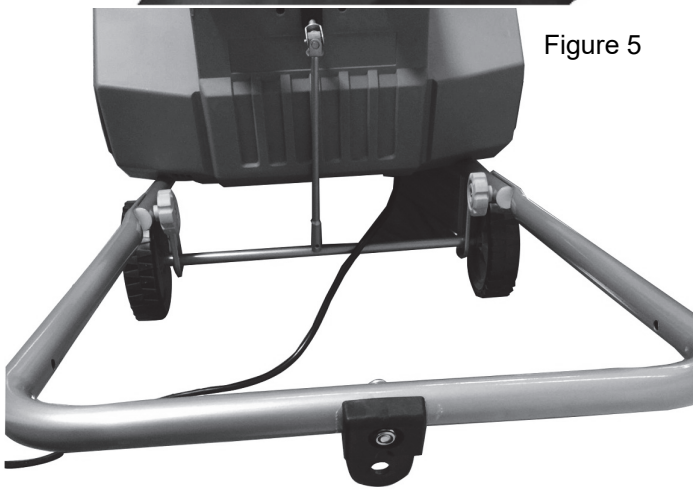


Figure 5

ASSEMBLAGE

INSTALLER LA POIGNÉE SUPÉRIEURE

- Alignez les trous sur la poignée supérieure avec ceux de la poignée centrale, comme illustré.
- Faites passer l'extrémité fileté du boulon en J à travers les deux poignées avec l'extrémité fileté faisant face vers l'intérieur.
- Installez le bouton de poignée et serrez fermement.
- Répétez du côté opposé.
- Fixez le serre-câble aux poignées. (Voir la Fig 7).

Fig. 6



INSTALLER LA MANIVELLE DU TOBOGGAN

- Faites passer la manivelle du toboggan supérieure à travers le support de la poignée centrale situés sur la poignée centrale. (Voir la Fig. 8)
- Alignez les trous des manivelles supérieures et inférieures et faites passer la goupille fendue à travers les trous, comme illustré. (Voir les Fig. 9 et 10)
- Tournez le levier vers la gauche et vers la droite pour vérifier le bon fonctionnement de la manivelle et du toboggan.

Fig. 8



Fig. 9



Fig. 10

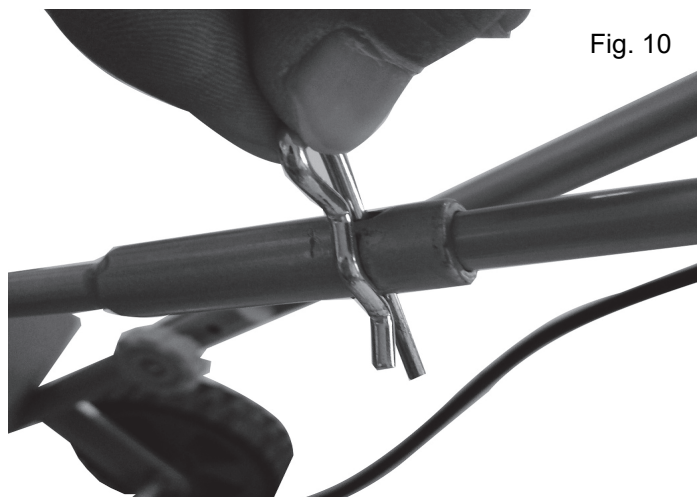


Fig. 7

ASSEMBLAGE

INSTALLER LE DÉFLECTEUR DU TOBOGGAN

- Sortez la rondelle du sac de matériel. (Voir Fig 11)
- Positionnez la laveuse sur la goulotte de décharge. (Voir Fig 12)
- Positionnez le déflecteur du toboggan sur le toboggan de déchargement. Alignez les trous et placez la rondelle entre le déflecteur et le toboggan. (Voir la Fig. 13)
- Serrez fermement les boutons en place. (Voir les Fig. 14 et 15)

Fig. 11

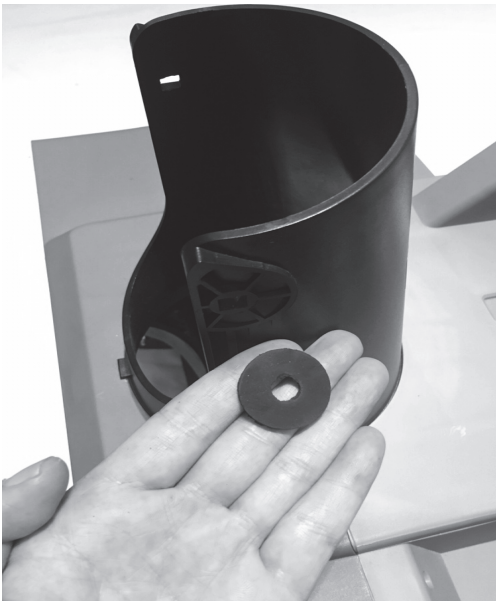


Fig. 12



Fig. 13



Fig. 14



Fig. 15

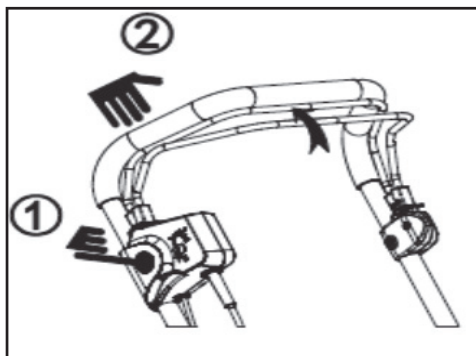


UTILISATION

Mise en marche et arrêt

AVERTISSEMENT : la vis sans fin commence à tourner immédiatement après l'allumage de la souffleuse. Tenez les mains et les pieds éloignés de la vis sans fin.

Pour mettre en marche, assurez-vous que la tarière ne touche aucune surface. Appuyez sur le bouton de démarrage (1) et maintenez-le enfoncé. Tout en maintenant le bouton du démarreur enfoncé, tirez sur le câble sous caution (2). Une fois la souffleuse démarrée, vous pouvez arrêter d'appuyer sur le bouton de déverrouillage de sécurité.



Pour éteindre la souffleuse, relâchez le fil de contrôle.

Retrait de la neige

Antes de comenzar a trabajar, inspeccione minuciosamente el área donde se utilizará el equipo y retire todos los felpudos, trineos, tablas, cables y cualquier otro objeto extraño.

Verifique el estado de la máquina quitanieve antes de operarla para asegurarse de que la barrena gire libremente.

Revise la barrena en busca de desgaste a intervalos regulares.

Asegúrese de que todos los sujetadores de la máquina quitanieve (tornillos, tuercas, etc.) estén bien apretados.

Vérifiez régulièrement le bon état de la vis sans fin.

Vérifiez que toutes les pièces de fixation de la souffleuse (vis, écrous, etc.) sont bien serrées.

Placez la goulotte de façon à ce que la neige soit déchargée dans une direction sans danger. N'orientez pas la goulotte d'éjection vers les passants ou des endroits risquant d'être endommagés. Tenez les enfants, les autres personnes et les animaux éloignés de votre zone de travail. Ne marchez pas devant la souffleuse lorsque celle-ci est en fonctionnement.

Orientez la goulotte vers la droite ou la gauche à l'aide de la manivelle. L'angle d'ajustement maximum est de 180 degrés.

Le déflecteur en haut de la goulotte contrôle la hauteur de décharge. Desserrez les deux molettes en pour lever ou baisser le déflecteur à la hauteur désirée, puis resserez-les. REMARQUE : ne serrez pas trop les molettes.

Pour plus d'efficacité, travaillez dans le sens du vent et superposez légèrement chaque passage.

Poussez la souffleuse vers l'avant à une vitesse confortable, assez lente pour dégager entièrement le chemin. La largeur et la profondeur de la neige détermine la vitesse à laquelle vous avancez.

Commencez à déneiger près de la prise électrique et travaillez vers l'extérieur, en dégageant la neige par un mouvement de va-et-vient.

Pour tourner en fin de couloir, enjambez la corde et tournez la souffleuse. Servez-vous de la roue d'un côté comme pivot. Basculez légèrement la souffleuse sur ce pivot, tout en tournant.

La souffleuse à neige peut déneiger jusqu'à 30 cm (12 po) de profondeur à chaque passage. Dans le cas d'amoncellement de neige plus grand, soulevez la souffleuse par ses poignées principale et auxiliaire et posez-la sur l'amoncellement. Laissez le poids de la souffleuse dégager le haut de l'amoncellement en secouant celle-ci d'avant en arrière.

Lorsque vous nettoyez des marches, tenez la souffleuse à la fois par la poignée supérieure et par la poignée inférieure. Suivez un mouvement de balancement ou de balayage.

Nettoyez la neige souvent, avant qu'elle ne devienne trop profonde. Il est préférable de déneiger dès que possible après la fin de la chute de neige.

Certaines pièces de la souffleuse peuvent geler par très grand froid. Dans ce cas, arrêtez la machine, débranchez-la et inspectez-la. Dégagez la glace avant de redémarrer ou de réutiliser la souffleuse. Ne vous servez pas d'une souffleuse avec des pièces gelées. Ne forcez pas les commandes gelées.

Après avoir nettoyé la neige, laissez la souffleuse à neige pendant quelques minutes pour empêcher la formation de glace sur les pièces mobiles. Puis éteignez le moteur, attendez que toutes les pièces en mouvement s'arrêtent, et essuyez la glace et la neige de la souffleuse avec un chiffon propre.

AVERTISSEMENT : pour éviter des blessures graves, ne dégagez pas la goulotte avec les mains ou les pieds.

UTILISATION

Avant de dégager la goulotte, éteignez la souffleuse et débranchez-la. Attendez que la vis sans fin s'arrête de tourner. Nettoyez la goulotte avec un bâton, un manche de balai, par exemple.

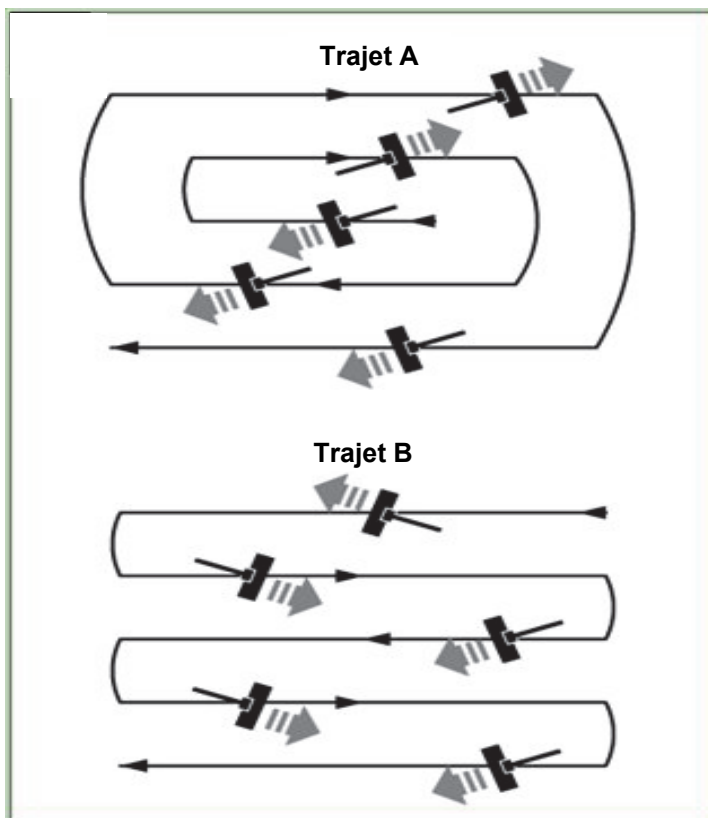
Si la souffleuse se met à vibrer de façon anormale, éteignez immédiatement le moteur et recherchez la cause des vibrations. La présence de vibrations est généralement un signe de problème.

Regardez derrière vous et usez de précaution quand vous reculez avec la souffleuse.

Lorsque vous déneigez sur une grande surface, vous devez suivre un trajet particulier pour dégager complètement la neige. Les trajets suggérés permettent d'éviter de projeter de la neige dans les endroits non voulus et d'avoir à repasser une seconde fois.

Trajet A : projetez la neige vers la droite ou vers la gauche, selon ce qui est possible. Dans les endroits comme une allée assez longue, il est plus avantageux de commencer au milieu. Dégagez un passage du début à la fin, en projetant la neige des deux côtés.

Trajet B : si la neige ne peut être projetée que d'un côté, commencez par l'autre côté.



Protection contre les surcharges

Le bouton de réinitialisation se déclenchera et arrêtera automatiquement la souffleuse à neige si le circuit est surchargé. Si le moteur s'arrête, vous pouvez redémarrer la souffleuse à neige après 1 à 3 minutes.

ENTRETIEN

Avant d'effectuer des travaux d'entretien, débranchez l'alimentation électrique.

Un entretien et un nettoyage réguliers de votre souffleuse à neige maintiendront son efficacité et prolongeront sa durée de service.

Vérifiez régulièrement qu'aucune pièce de fixation ne s'est desserrée, afin d'être certain que la souffleuse ne présente pas de danger.

Après chaque utilisation, laissez le moteur tourner pendant quelques minutes pour éviter que les pièces mobiles ne gèlent. Puis éteignez le moteur, attendez que toutes les pièces en mouvement s'arrêtent, et essuyez la glace et la neige de la souffleuse. Faites tourner plusieurs fois la manivelle de la goulotte pour vider celle-ci.

Utilisez uniquement un chiffon imbibé d'eau chaude et une brosse à poils doux. **Ne mouillez pas la machine et ne la lavez jamais au jet!**

N'utilisez pas de détergents ou de solvants, car ils pourraient provoquer des dommages irréparables sur la souffleuse à neige. Les produits chimiques risquent en effet de détériorer les pièces en plastique.

Pour protéger la souffleuse à neige de la corrosion lorsqu'elle est rangée pendant de longues périodes, huilez légèrement les pièces métalliques.

Conservez la souffleuse dans un local sec, hors de la portée des enfants.

Pour la sécurité de l'utilisateur, remplacez les pièces usées ou endommagées. Remplacez-les par des pièces d'origine uniquement. Les pièces d'autres souffleuses à neige peuvent ne pas correspondre exactement et risquent de créer une situation dangereuse.

Lubrification de la souffleuse

Vous n'avez pas besoin de lubrifier la souffleuse. Tous les roulements sont scellés et ont été lubrifiés en usine pour la durée de vie de la souffleuse.

Remplacer les plaques en caoutchouc sur la foreuse

Détachez la plaque en caoutchouc usée en retirant les deux jeux d'écrous, boulons et rondelles qui la fixent en place.

Installez la nouvelle plaque en caoutchouc

Insérez le boulon avec la petite rondelle plate dans les trous correspondants, de chaque côté de la plaque en caoutchouc. Avec une grande rondelle plate et un écrou de blocage, fixez le boulon de chaque côté.

Installez l'autre plaque en caoutchouc de la même façon.

Remplacement de la lame de raclage

La lame de raclage est située à la base de la souffleuse, sous le boîtier du rotor.

Retirez les vis de fixation de la lame de raclage sur la souffleuse.

Installez la nouvelle lame et fixez-la avec les vis. (Voir la Fig. 16)

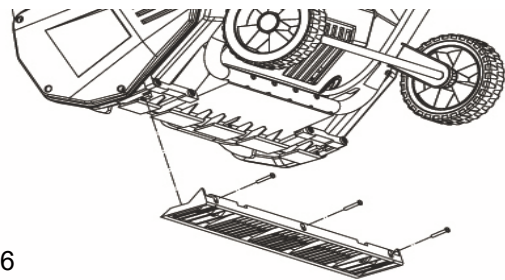


Fig 16

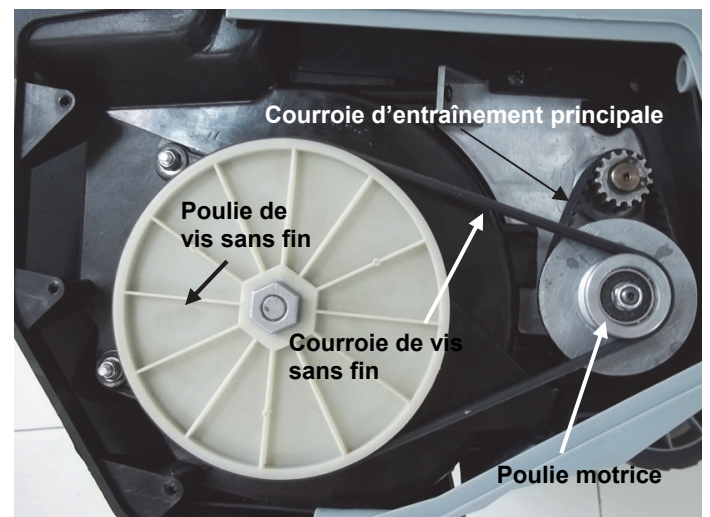
Remplacement de la courroie de la vis sans fin

Contactez Earthwise pour les nouvelles courroies et le kit d'installation.

Dans des conditions d'utilisation normales, il n'est pas nécessaire de remplacer la courroie de la vis sans fin. Il se peut cependant que celle-ci soit endommagée si la vis sans fin se coince ou ne fonctionne pas correctement. Pour remplacer la courroie, suivez les instructions ci-après.

Structure du mécanisme d'entraînement de la courroie (Voir la Fig. 17)

Fig. 17



ENTRETIEN

1. Ouvrez la plaque gauche en retirant les trois vis (Fig. 18).

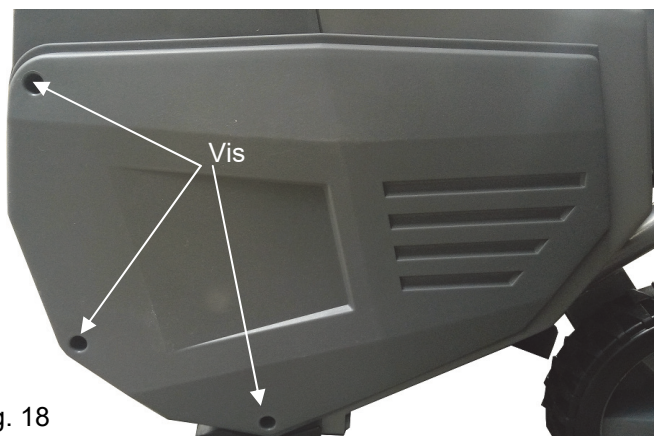


Fig. 18

2. Avec la main droite, tournez le côté cranté de la courroie vers le haut et tirez-le vers le haut tout en tournant la poulie de la vis sans fin de la main gauche, en sens inverse des aiguilles d'une montre. La courroie peut être facilement retirée de la poulie (Fig. 19- 20).



Fig. 19



Fig. 20

3. Mettez la courroie sur la poulie motrice d'abord, puis en bas de la poulie de la vis sans fin (Fig. 21).

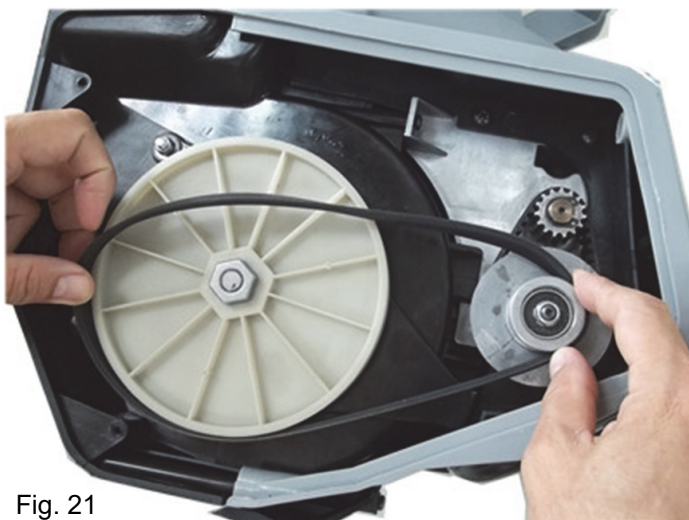


Fig. 21

4. Avec la main droite, appuyez sur la courroie, côté cranté vers le bas. (Fig. 22)

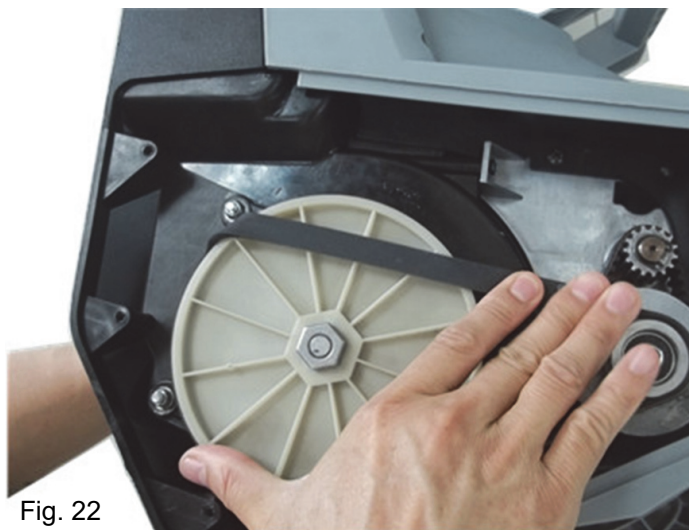


Fig. 22

5. En maintenant la courroie abaissée avec la main droite, servez-vous de votre main gauche pour tourner la vis sans fin vers l'avant, de façon que sa poulie tourne dans le sens des aiguilles d'une montre. (Fig. 23)



Fig. 23

ENTRETIEN

6. Continuez d'appuyer sur la courroie avec la main droite (côté cranté vers le bas et côté lisse vers le haut), tout en faisant tourner la vis sans fin. La courroie sera graduellement enfoncée dans la poulie. Lorsque la courroie est en place sur la poulie, réglez-la de façon que les crans de la courroie correspondent aux rainures de la poulie. (Fig. 24 - 27)



Fig. 24

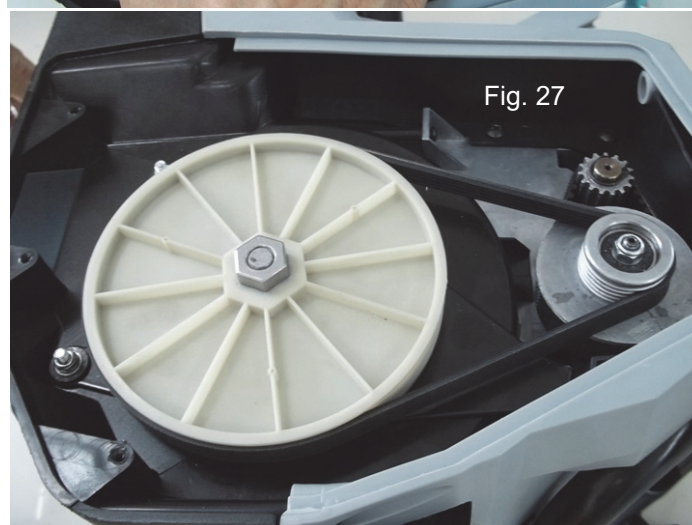


Fig. 25

7. Lorsque la courroie est installée, remettez la plaque latérale en place et fixez-la avec les trois vis. (Fig. 28)



Fig. 28

RANGEMENT

Faites tourner la souffleuse pendant quelques minutes pour faire fondre toute neige se trouvant encore dessus.

Débranchez la rallonge de la souffleuse.

Inspectez la rallonge pour vérifier qu'elle n'est ni usée, ni endommagée. Remplacez-la si elle est usée ou endommagée.

Inspectez soigneusement la souffleuse et vérifiez qu'aucune pièce ne se détache ou n'est usée ou endommagée. Vérifiez les raccords et les vis. Resserrez si nécessaire. Pour réparer ou remplacer des pièces, appelez notre service clientèle au 1-800-633-1501.

Rangez la souffleuse et la rallonge débranchée dans un local propre et sec, hors de la portée des enfants. Recouvrir d'une bâche.

DÉPANNAGE

Problème	Causes possibles	Solution
Le moteur ne démarre pas.	Machine débranchée Pas d'électricité Câble défectueux.	Branchez la machine. Vérifiez l'alimentation électrique. Vérifiez le cordon. Réparez ou remplacez si nécessaire.
Mauvais résultats	Courroie d'entraînement usée ou endommagée. Vis sans fin usée ou endommagée. Goulotte d'évacuation bouchée.	Remplacez la courroie d'entraînement. Replacer les plaques en caoutchouc sur la foreuse. Assurez-vous que les vis et les écrous sont bien serrés. Éteignez la souffleuse à neige et nettoyez la goulotte d'évacuation.
Vibrations anormales	Courroie d'entraînement usée ou endommagée. Vis sans fin usée ou endommagée. Lame de raclage usée ou endommagée.	Remplacez la courroie d'entraînement. Replacer les plaques en caoutchouc sur la foreuse. Assurez-vous que les vis et les écrous sont bien serrés. Remplacez la lame de raclage. Assurez-vous que les vis sont bien serrées.
Le moteur s'arrête pendant le fonctionnement	Courant trop élevé	Appuyez sur le bouton de réinitialisation. Redémarrez la souffleuse à neige.

APPELEZ-NOUS D'ABORD!!

Appelez-nous d'abord pour toute question concernant le fonctionnement ou la maintenance de votre tronçonneuse au 1.800.633.1501 entre 8h00 et 17h00, heure normale de l'Est, ou obtenez de l'aide sur americanlawnmower.com

PIÈCES ET SERVICE

RÉPARATION

Pour les pièces ou la réparation, veuillez appeler le 1-800-633-1501 ou visitez-nous en ligne au americanlawnmower.com.
Veuillez fournir toute l'information pertinente lorsque vous nous appelez ou nous rendez visite.

Pièces de rechange

Le numéro de modèle de cet outil se trouve sur une plaque ou une étiquette fixée au bâti. Notez votre numéro de série dans l'espace prévu ci-dessous.

- NOM DE L'ARTICLE Souffleuse à neige
- NUMÉRO DE MODÈLE SN71018
- NUMÉRO DE SÉRIE _____

Toujours mentionner le numéro de modèle lors de la commande de kits pour cet outil.

N°	Numéro de kit/ Numéro d'article	Description	Quantité
1	SN18-SBK-1	Kit lame racleuse / aile	1
2	SN18-AK-1	Kit de vis sans fin	1
3	SN18-HWK-1	Kit de matériel	1
4	SN18-ACK-1	Kit de couverture de réglage	1
5	SN2018-Belt	Kit de ceinture	1
6	WK-TC-SN	Kit de roue	1
7	SN18-HK	Kit de poignée	1

APPELEZ-NOUS D'ABORD!!

Appelez-nous d'abord pour toute question concernant le fonctionnement ou la maintenance de votre tronçonneuse au 1.800.633.1501 entre 8h00 et 17h00, heure normale de l'Est, ou obtenez de l'aide sur americanlawnmower.com



MANUEL DE L'UTILISATEUR

SN71018 Souffleuse à neige de 18 pouces

Copyright. Tous droits réservés.

POLITIQUE DE GARANTIE

Garantie limitée de deux (2) ans sur l'équipement électrique d'extérieur Earthwise.

Earthwise garantit au propriétaire d'origine que tout nouveau produit et toute nouvelle pièce de remplacement est exempt(e) de défaut de matériau et de fabrication et s'engage en vertu de la présente garantie à réparer ou à remplacer tout produit défectueux ou toute pièce défectueuse à compter de la date d'achat d'origine pendant la période de garantie à l'exception des conditions et des circonstances indiquées ci-dessous.

Cette garantie s'applique seulement à l'acheteur d'origine dans un magasin de ventes au détail et ne peut être transférée.

La garantie s'applique si le produit est utilisé pour usage personnel, domestique ou familial. La garantie est nulle si le produit est utilisé à des fins commerciales, industrielles ou locatives.

La garantie n'inclut pas les réparations nécessaires à cause de la négligence ou de l'abus de l'opérateur (y compris la surcharge du produit au-delà de sa capacité ou son immersion dans l'eau), ou l'échec à assembler, opérer, entretenir ou entreposer le produit selon les instructions dans le manuel de l'opérateur.

Cette garantie n'est pas transférable et s'applique seulement au produit vendu directement d'un fournisseur autorisé. Cette garantie ne s'applique pas à tout produit, neuf ou usagé, acheté par le biais de canaux tiers non-autorisés.

TOUT DOMMAGE, PERTE OU FRAIS CONSÉCUTIF, INDIRECT OU CONSÉQUENT QUI POURRAIT RÉSULTER D'UN DÉFAUT, D'UNE DÉFAILLANCE OU D'UN DYS FONCTIONNEMENT DU PRODUIT N'EST PAS COUVERT PAR LA GARANTIE. Certains États ne permettent pas l'exclusion ou la limitation de la durée d'une garantie implicite. Les restrictions ci-dessus peuvent donc ne pas s'appliquer.

Une preuve d'achat, original du reçu de vente daté, doit accompagner toute réclamation de garantie.

Les produits vendus endommagés ou incomplets, vendus « tels quels », ou vendus remis en état, ne sont pas couverts par cette garantie.

Les dommages ou responsabilités provoqués par le transport, une mauvaise manipulation, un mauvais assemblage, une tension ou un câblage incorrect, une mauvaise maintenance, une modification incorrecte ou l'utilisation d'accessoires ou d'outils non spécifiquement recommandés n'est pas couvert par cette garantie.

Les items consommables qui s'usent lors d'une utilisation normale ne sont pas couverts par la garantie.

La garantie ne couvre pas la détérioration normale de la finition extérieure, y compris, sans s'y limiter, aux égratignures, aux éclats de peinture entaillée ou à toute corrosion ou décoloration causée par la chaleur, les abrasifs et les nettoyants chimiques.

La garantie n'inclut pas l'installation, l'assemblage ou les réglages normaux expliqués dans le manuel de l'utilisateur.

Les frais de livraison du produit au vendeur ou les frais de retourner le produit ou les pièces de rechange au propriétaire ne sont pas couverts par la garantie.

La garantie ne couvre pas la détérioration normale de la finition extérieure, y compris, sans s'y limiter, aux égratignures, aux éclats de peinture entaillée ou à toute corrosion ou décoloration causée par la



American Lawn Mower Company
The Great States Corporation
7444 Shadeland Station Way
Indianapolis, IN 46256, États-Unis
Téléphone 1-800-633-1501
www.americanlawnmower.com

Dans le cadre d'un engagement permanent d'amélioration de la qualité, le Fabricant se réserve le droit d'apporter des modifications à des composants ou à la conception si nécessaire.